

The image features a central blue rectangular box with the word "CINTEC" in large, bold, white, italicized sans-serif font. Below it, the words "REINFORCEMENT SYSTEMS" are written in a smaller, white, italicized sans-serif font. Surrounding this central box are various technical drawings and cross-sections of reinforcement systems. On the left, there is a vertical section of a wall with red bricks and a dark grey structural member. On the right, there is a vertical section of a wall with a colorful, abstract pattern of red, orange, and yellow. In the center, there are two horizontal sections showing a stainless steel rod with a fabric sleeve and grout. At the bottom, there are two more horizontal sections showing a stainless steel rod with a fabric sleeve and grout, one in a dark brown material and one in a lighter brown material. The overall layout is a technical drawing of a reinforcement system.

CINTEC

REINFORCEMENT SYSTEMS

SHOP DRAWINGS TECHNICAL DRAWINGS

All CINTEC anchors are comprised of a structural member surrounded by a fabric sleeve into which Presstec grout is injected. Stainless steel sizes/sections & lengths, sleeve sizes & end conditions vary in accordance with specific design.

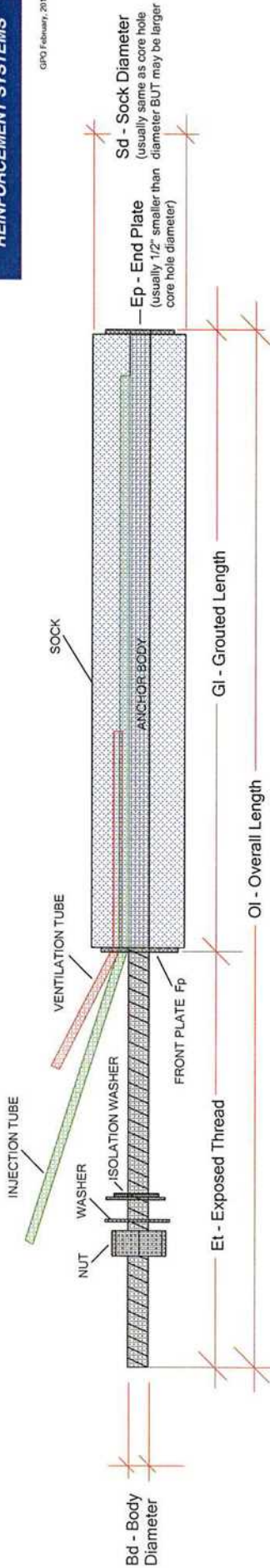
Table of Contents

TYPICAL ANCHOR DESIGN & TERMINOLOGY	
CINTEC ANCHOR TYPES	1
ANCHOR INSTALLATION	21
CINTEC CASE STUDIES	27
Prince Street - Manhattan	27
Stabilizing a typical Historic Masonry Arch	33
CINTEC WALL TIE ANCHORS	42
CORBEL ANCHORS	52
ANCHOR STITCHING	58
ANCHOR LOCATION TOLERANCES	65
PUMP ANCHOR	67
CINTEC COUPLING ANCHOR	68
ANCHOR APPLICATION DETAILS	69
PROJECT SPECIFIC SHOP DRAWINGS / CUT SHEETS	70

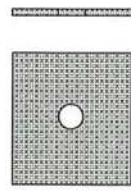
TYPICAL ANCHOR DESIGN & TERMINOLOGY



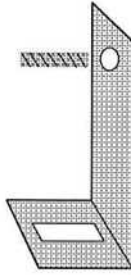
GPO February, 2018



ACCESSORIES



Plate



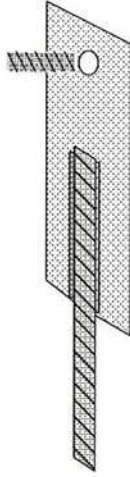
Adjustable Angled Plate w/ Drop Pin



Brick Tie



Coupling Nut



Drop Pin Plate - adjustable when used with coupling nut.

CINTEC TERMINOLOGY

Accessory - end treatment that can be attached to an anchor

Anchor Body - the steel part of the anchor. Usually stainless steel and may be hollow, solid round, square, or other configuration.

Nut - hexagonal with same ID as body and usually of same material.

Plate (End) - on most anchors. Usually 1/2" smaller diameter than the core/ sock diameter. Has hole in centre the size of body so it can be welded / threaded in place.

Plate (Front) - on some anchors. Usually 1/2" smaller diameter than the core/ sock diameter. Has hole in centre the size of body so it can be welded / threaded in place. May also have "port (s)" to accommodate injection / ventilation / other tubes.

Sock - polyester, woven tube usually size matched to the core hole diameter... but NOT always

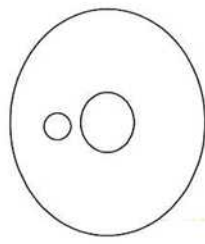
Tube (Injection) - tube that is glued in place and used to INJECT the anchor sock. It is the longest tube if two or more tubes are present and identified with a sticker with green writing.

Tube (ventilation) - also called "emergency" allows air in system to escape and can also be used if absolutely necessary to inflate anchor. It is glued in place and is the shortest tube if two or more tubes are present and identified with a sticker with red writing.

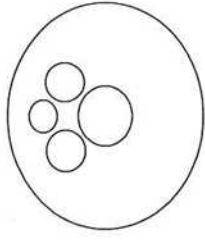
Washer - also called flat or fender washer.

Washer (Isolation) - also called bonded washer, used to prevent galvanic action between dissimilar materials

FRONT PLATES (Various)



Standard with single port

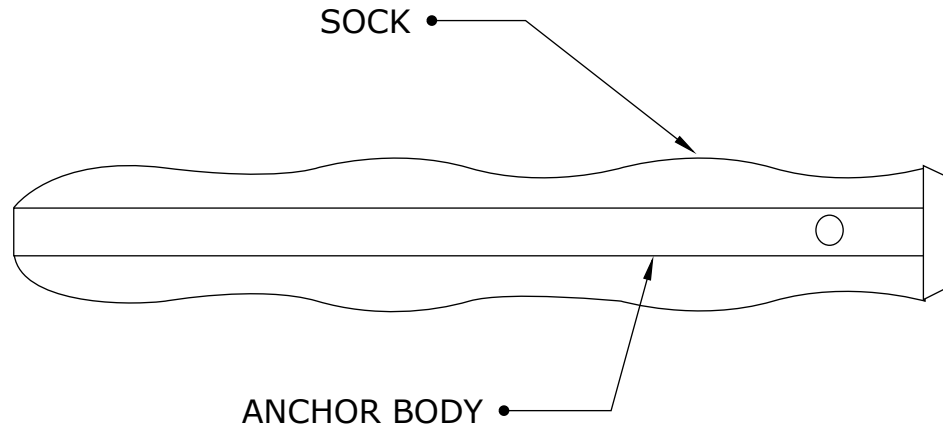


Custom with several ports.



NOTICE: THIS DRAWING (INCLUDING THE DESIGN AND THE TECHNICAL INFORMATION SHOWN HEREON) BELONGS TO AND IS THE COPYRIGHT OF CINTEC REINFORCEMENT SYSTEMS ("Cintec") AND ACCORDINGLY THE PERSON, FIRM, COMPANY OR ORGANIZATION TO WHOM THIS DRAWING HAS BEEN PROVIDED MAY NOT COPY, RE-PRODUCE OR MAKE ANY USE OF THE DRAWING (INCLUDING THE DESIGN OR ANY OF THE TECHNICAL INFORMATION SHOWN HEREON) OR SHOW OR OTHERWISE PROVIDE THE DRAWING (OR THE SAID DESIGN OR ANY OF THE TECHNICAL INFORMATION) TO ANY THIRD PARTY WITHOUT CINTEC'S SPECIFIC PERMISSION.

CINTEC ANCHOR TYPE RAC STITCHING ANCHOR



ANCHOR BODY	SOCK	END CONDITION
SS TYPE 304 3/8" DIA. CHS HOLLOW ROUND	FULL LENGTH OF ANCHOR BODY Dia 3/4"	PLAIN ENDS

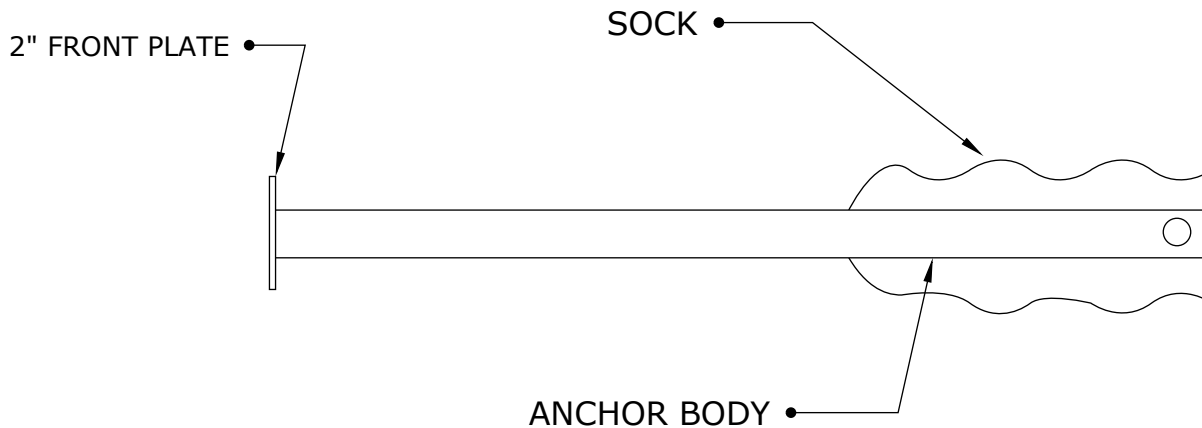
ANCHOR LENGTH TO SUIT SITE CONDITIONS
Client to confirm ALL lengths before ordering.

	<p>Engineered Grout Injection Anchors by: Cintec Reinforcement Systems Tel: 1-410-761-0765 1-613-225-3381 Fax: 1-613-224-9042 E-mail: solutions@cintec.com</p>	<p>Drawing Title: CINTEC ANCHOR TYPE RAC, STITCHING ANCHOR</p>
--	--	--



NOTICE: THIS DRAWING (INCLUDING THE DESIGN AND THE TECHNICAL INFORMATION SHOWN HEREON) BELONGS TO AND IS THE COPYRIGHT OF CINTEC REINFORCEMENT SYSTEMS ("Cintec") AND ACCORDINGLY THE PERSON, FIRM, COMPANY OR ORGANIZATION TO WHOM THIS DRAWING HAS BEEN PROVIDED MAY NOT COPY, RE-PRODUCE OR MAKE ANY USE OF THE DRAWING (INCLUDING THE DESIGN OR ANY OF THE TECHNICAL INFORMATION SHOWN HEREON) OR SHOW OR OTHERWISE PROVIDE THE DRAWING (OR THE SAID DESIGN OR ANY OF THE TECHNICAL INFORMATION) TO ANY THIRD PARTY WITHOUT CINTEC'S SPECIFIC PERMISSION.

CINTEC ANCHOR TYPE RAC



ANCHOR BODY	SOCK	END CONDITION
SS TYPE 304 3/8" DIA. CHS HOLLOW ROUND	Sock length to suit site conditions 3/4" DIA.	2" Front Plate

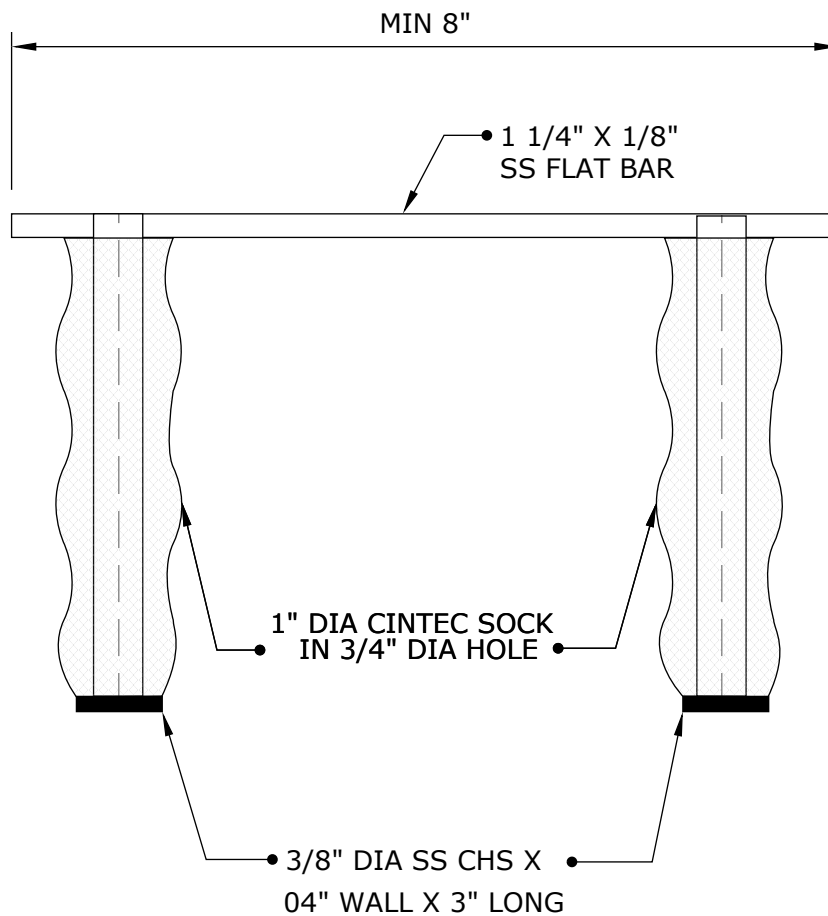
ANCHOR LENGTH TO SUIT SITE CONDITIONS
Client to confirm ALL lengths before ordering.

	Engineered Grout Injection Anchors by:	Drawing Title:
	Cintec Reinforcement Systems	CINTEC ANCHOR TYPE RAC
	Tel: 1-410-761-0765	
	Fax: 1-613-224-9042	
	E-mail: solutions@cintec.com	



NOTICE: THIS DRAWING (INCLUDING THE DESIGN AND THE TECHNICAL INFORMATION SHOWN HEREON) BELONGS TO AND IS THE COPYRIGHT OF CINTEC REINFORCEMENT SYSTEMS ("Cintec") AND ACCORDINGLY THE PERSON, FIRM, COMPANY OR ORGANIZATION TO WHOM THIS DRAWING HAS BEEN PROVIDED MAY NOT COPY, RE-PRODUCE OR MAKE ANY USE OF THE DRAWING (INCLUDING THE DESIGN OR ANY OF THE TECHNICAL INFORMATION SHOWN HEREON) OR SHOW OR OTHERWISE PROVIDE THE DRAWING (OR THE SAID DESIGN OR ANY OF THE TECHNICAL INFORMATION) TO ANY THIRD PARTY WITHOUT CINTEC'S SPECIFIC PERMISSION.

CINTEC TERRA-COTTA CRACK STAPLING ANCHOR 3/8" 10mm Anchor Body



Engineered Grout Injection Anchors by:
Cintec Reinforcement Systems
Tel: 1-410-761-0765
1-613-225-3381
Fax: 1-613-224-9042
E-mail: solutions@cintec.com

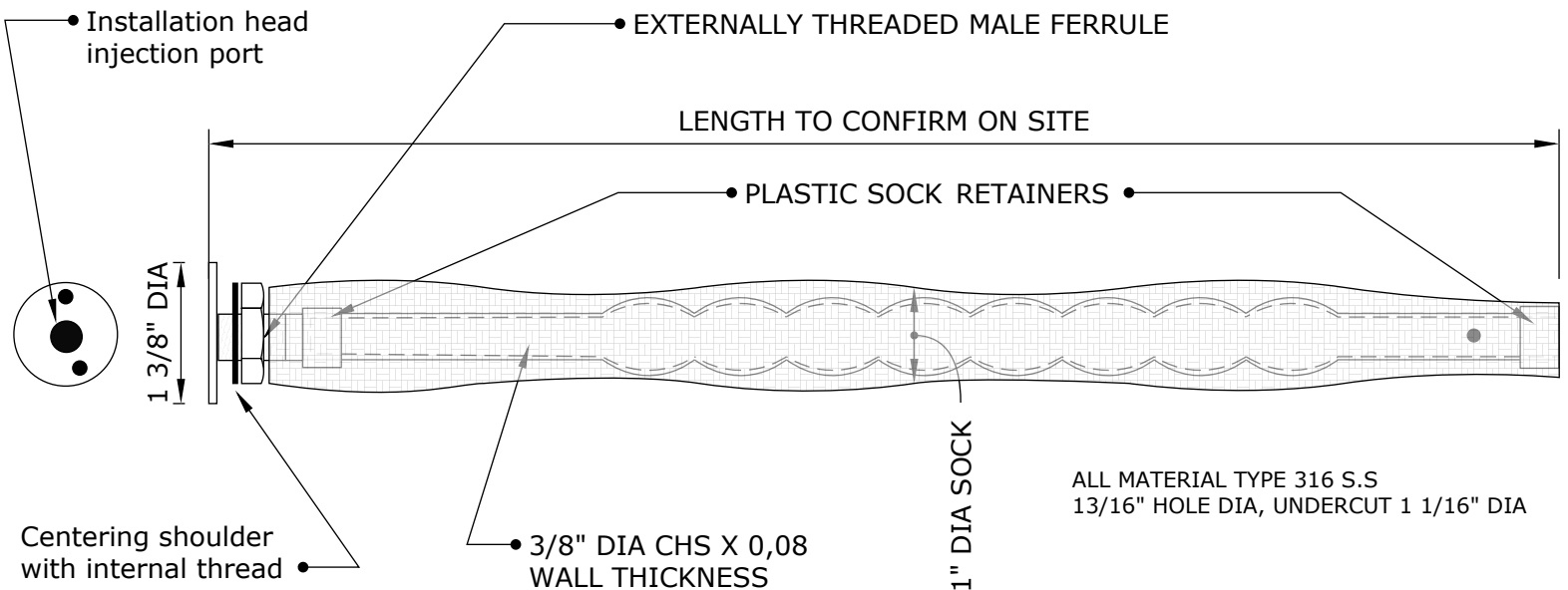
Drawing Title:

**CINTEC TERRA-COTTA
CRACK STAPLING
ANCHOR**

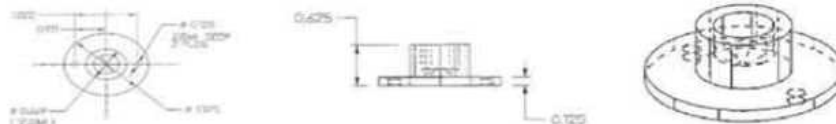


NOTICE: THIS DRAWING (INCLUDING THE DESIGN AND THE TECHNICAL INFORMATION SHOWN HEREON) BELONGS TO AND IS THE COPYRIGHT OF CINTEC REINFORCEMENT SYSTEMS ("Cintec") AND ACCORDINGLY THE PERSON, FIRM, COMPANY OR ORGANIZATION TO WHOM THIS DRAWING HAS BEEN PROVIDED MAY NOT COPY, RE-PRODUCE OR MAKE ANY USE OF THE DRAWING (INCLUDING THE DESIGN OR ANY OF THE TECHNICAL INFORMATION SHOWN HEREON) OR SHOW OR OTHERWISE PROVIDE THE DRAWING (OR THE SAID DESIGN OR ANY OF THE TECHNICAL INFORMATION) TO ANY THIRD PARTY WITHOUT CINTEC'S SPECIFIC PERMISSION.

CINTEC ANCHOR FOR ATTACHING THIN VENEER/MARBEL PANNELS TO MASONRY/STEEL FRAME BACK UP



FINISHED HEAD

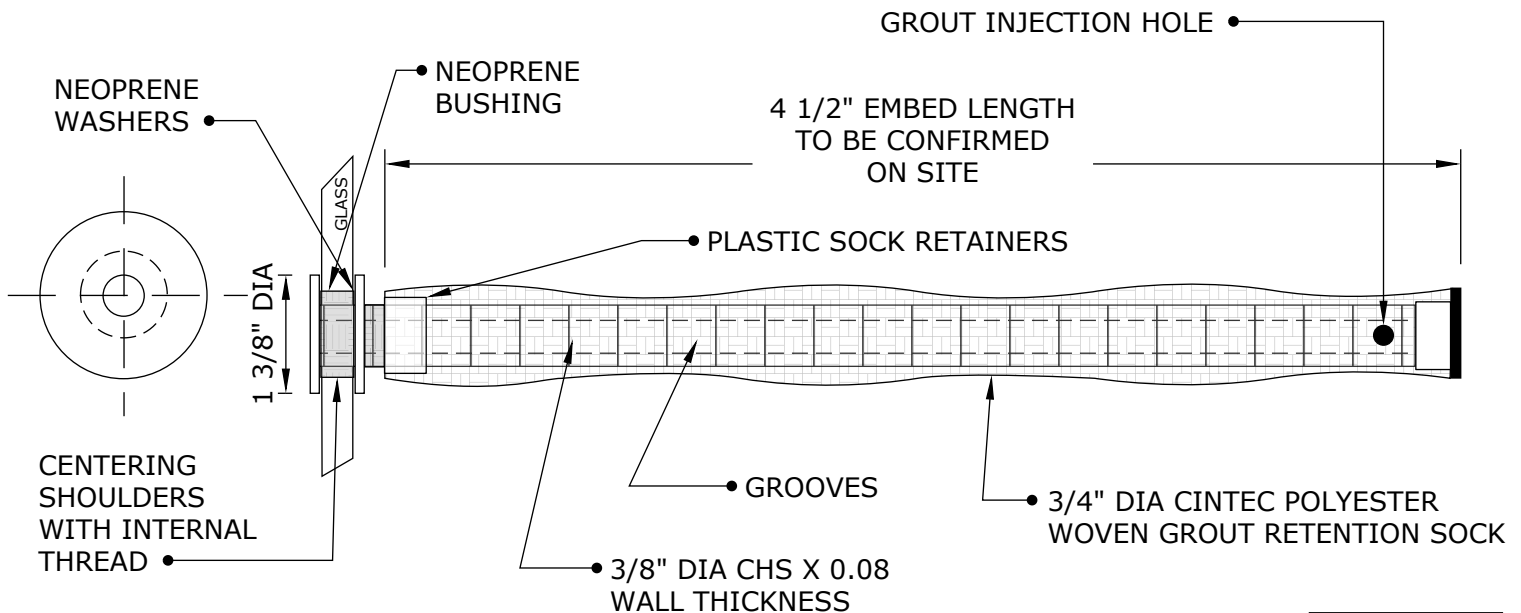


	<p>Engineered Grout Injection Anchors by: Cintec Reinforcement Systems Tel: 1-410-761-0765 1-613-225-3381 Fax: 1-613-224-9042 E-mail: solutions@cintec.com</p>	<p>Drawing Title: CINTEC FOR ATTACHING THIN VENEER/MARBEL PANNELS TO MASONRY/STEEL FRAME BACK UP</p>
--	--	--



NOTICE: THIS DRAWING (INCLUDING THE DESIGN AND THE TECHNICAL INFORMATION SHOWN HEREON) BELONGS TO AND IS THE COPYRIGHT OF CINTEC REINFORCEMENT SYSTEMS ("Cintec") AND ACCORDINGLY THE PERSON, FIRM, COMPANY OR ORGANIZATION TO WHOM THIS DRAWING HAS BEEN PROVIDED MAY NOT COPY, RE-PRODUCE OR MAKE ANY USE OF THE DRAWING (INCLUDING THE DESIGN OR ANY OF THE TECHNICAL INFORMATION SHOWN HEREON) OR SHOW OR OTHERWISE PROVIDE THE DRAWING (OR THE SAID DESIGN OR ANY OF THE TECHNICAL INFORMATION) TO ANY THIRD PARTY WITHOUT CINTEC'S SPECIFIC PERMISSION.

CINTEC ANCHOR FOR ATTACHING THIN VENEER/ MARBLE PANNELS TO MASONRY/STEEL FRAME BACK UP



HOLE DIA 3/4"
NO UNDERCUT

PROJECT NAME: MOSAIC ANCHORS
CLIENT: NEW YORK CITY SUBWAY
LOCATION: NEW YORK CITY - VARIOUS SUBWAY STATIONS

TYPE: MOSAIC ANCHORS
NYC SUBWAY



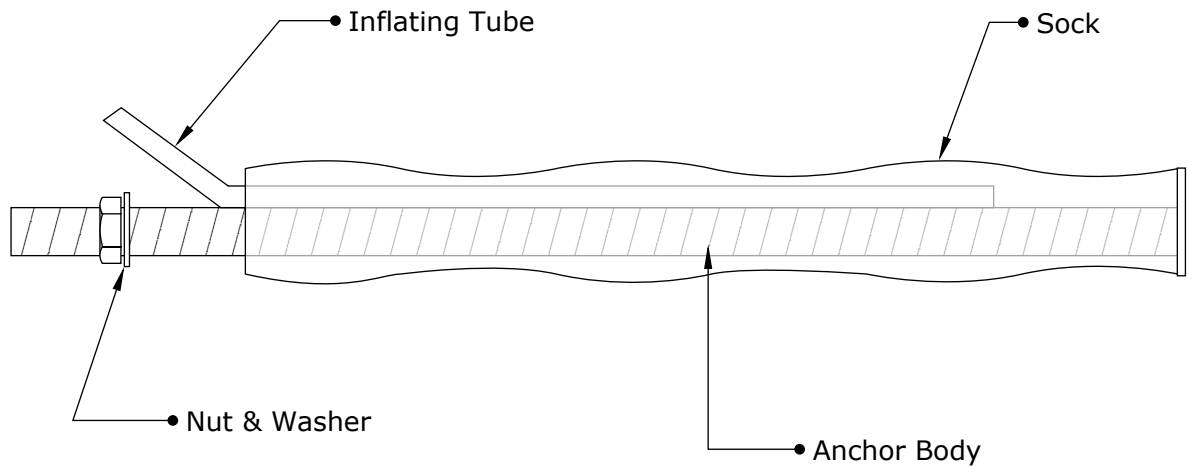
Engineered Grout Injection Anchors by:
Cintec Reinforcement Systems
 Tel: 1-410-761-0765
 1-613-225-3381
 Fax: 1-613-224-9042
 E-mail: solutions@cintec.com

Drawing Title:
CINTEC ANCHOR FOR ATTACHING THIN VENEER/MARBEL PANNELS TO MASONRY/STEEL FRAME BACK-UP



NOTICE: THIS DRAWING (INCLUDING THE DESIGN AND THE TECHNICAL INFORMATION SHOWN HEREON) BELONGS TO AND IS THE COPYRIGHT OF CINTEC REINFORCEMENT SYSTEMS ("Cintec") AND ACCORDINGLY THE PERSON, FIRM, COMPANY OR ORGANIZATION TO WHOM THIS DRAWING HAS BEEN PROVIDED MAY NOT COPY, RE-PRODUCE OR MAKE ANY USE OF THE DRAWING (INCLUDING THE DESIGN OR ANY OF THE TECHNICAL INFORMATION SHOWN HEREON) OR SHOW OR OTHERWISE PROVIDE THE DRAWING (OR THE SAID DESIGN OR ANY OF THE TECHNICAL INFORMATION) TO ANY THIRD PARTY WITHOUT CINTEC'S SPECIFIC PERMISSION.

CINTEC M10 SRT STAINLESS STEEL ANCHOR



ANCHOR BODY	SOCK	WASHER
SS 304 Solid Threaded Rod	1 1/4" Dia Full length LESS amount of exposed thread as specified by Engineer/ Architec of record	SS 304



Engineered Grout Injection Anchors by:
Cintec Reinforcement Systems
 Tel: 1-410-761-0765
 1-613-225-3381
 Fax: 1-613-224-9042
 E-mail: solutions@cintec.com

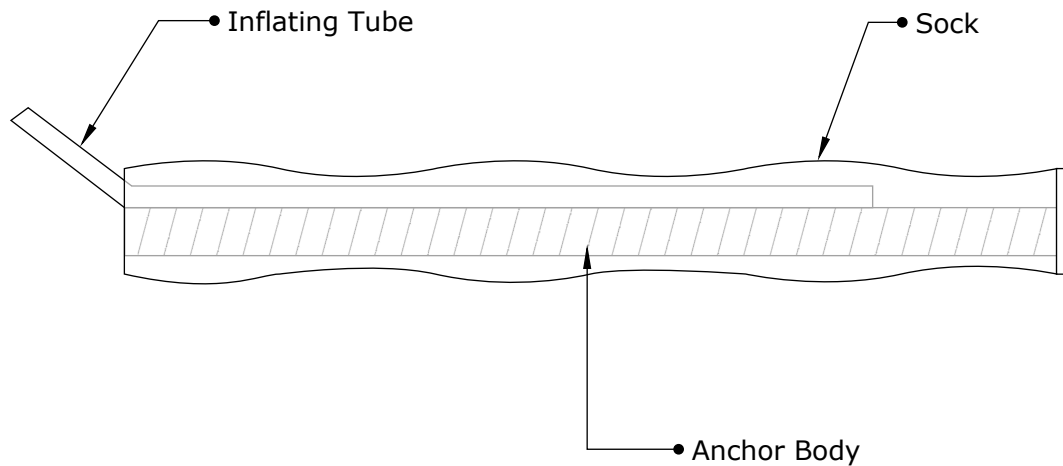
Drawing Title:

**CINTEC M10 STAINLESS
 STEEL ANCHOR**



NOTICE: THIS DRAWING (INCLUDING THE DESIGN AND THE TECHNICAL INFORMATION SHOWN HEREON) BELONGS TO AND IS THE COPYRIGHT OF CINTEC REINFORCEMENT SYSTEMS ("Cintec") AND ACCORDINGLY THE PERSON, FIRM, COMPANY OR ORGANIZATION TO WHOM THIS DRAWING HAS BEEN PROVIDED MAY NOT COPY, RE-PRODUCE OR MAKE ANY USE OF THE DRAWING (INCLUDING THE DESIGN OR ANY OF THE TECHNICAL INFORMATION SHOWN HEREON) OR SHOW OR OTHERWISE PROVIDE THE DRAWING (OR THE SAID DESIGN OR ANY OF THE TECHNICAL INFORMATION) TO ANY THIRD PARTY WITHOUT CINTEC'S SPECIFIC PERMISSION.

CINTEC M10 SRT STAINLESS STEEL ANCHOR



ANCHOR BODY	SOCK	END CONDITION
SS TYPE 304 3/8" - 10mm Dia Solid Round Threaded	Full length of Anchor Body 1 1/4" Dia	PLAIN ENDS



Engineered Grout Injection Anchors by:
Cintec Reinforcement Systems
 Tel: 1-410-761-0765
 1-613-225-3381
 Fax: 1-613-224-9042
 E-mail: solutions@cintec.com

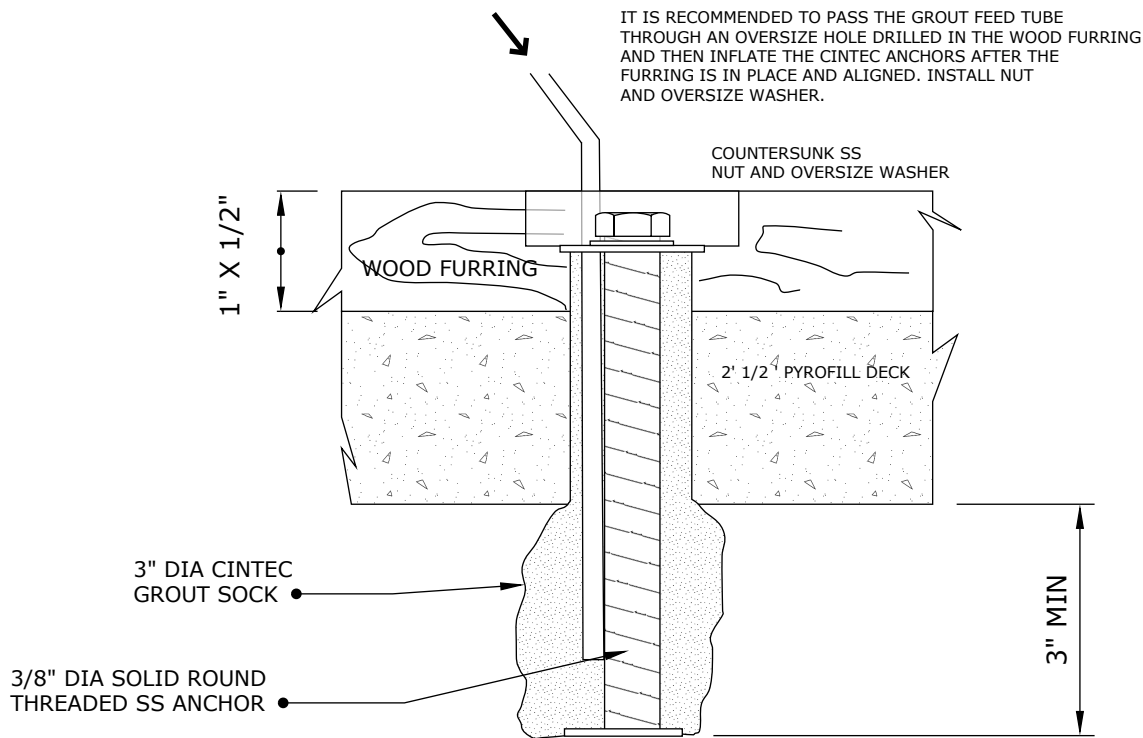
Drawing Title:

**CINTEC M10 STAINLESS
 STEEL ANCHOR**



NOTICE: THIS DRAWING (INCLUDING THE DESIGN AND THE TECHNICAL INFORMATION SHOWN HEREON) BELONGS TO AND IS THE COPYRIGHT OF CINTEC REINFORCEMENT SYSTEMS ("Cintec") AND ACCORDINGLY THE PERSON, FIRM, COMPANY OR ORGANIZATION TO WHOM THIS DRAWING HAS BEEN PROVIDED MAY NOT COPY, RE-PRODUCE OR MAKE ANY USE OF THE DRAWING (INCLUDING THE DESIGN OR ANY OF THE TECHNICAL INFORMATION SHOWN HEREON) OR SHOW OR OTHERWISE PROVIDE THE DRAWING (OR THE SAID DESIGN OR ANY OF THE TECHNICAL INFORMATION) TO ANY THIRD PARTY WITHOUT CINTEC'S SPECIFIC PERMISSION.

CINTEC 3/8" M10 SRT STAINLESS STEEL ROOF ANCHOR



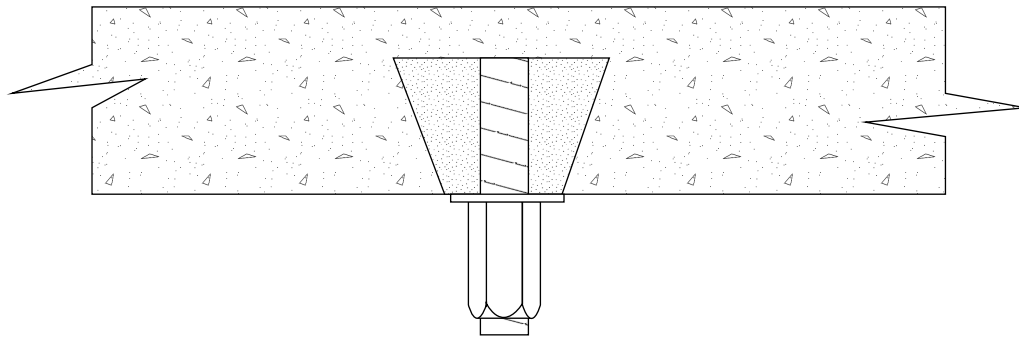
ANCHOR LENGTH TO SUIT SITE CONDITIONS
Client to confirm ALL lengths before ordering.

	<p>Engineered Grout Injection Anchors by: Cintec Reinforcement Systems Tel: 1-410-761-0765 1-613-225-3381 Fax: 1-613-224-9042 E-mail: solutions@cintec.com</p>	<p>Drawing Title: CINTEC 3/8th M10 STAINLESS STEEL ROOF ANCHOR</p>
--	---	---



NOTICE: THIS DRAWING (INCLUDING THE DESIGN AND THE TECHNICAL INFORMATION SHOWN HEREON) BELONGS TO AND IS THE COPYRIGHT OF CINTEC REINFORCEMENT SYSTEMS ("Cintec") AND ACCORDINGLY THE PERSON, FIRM, COMPANY OR ORGANIZATION TO WHOM THIS DRAWING HAS BEEN PROVIDED MAY NOT COPY, RE-PRODUCE OR MAKE ANY USE OF THE DRAWING (INCLUDING THE DESIGN OR ANY OF THE TECHNICAL INFORMATION SHOWN HEREON) OR SHOW OR OTHERWISE PROVIDE THE DRAWING (OR THE SAID DESIGN OR ANY OF THE TECHNICAL INFORMATION) TO ANY THIRD PARTY WITHOUT CINTEC'S SPECIFIC PERMISSION.

3/8" SOLID THREADED
CINTEC CEILING SUPPORT
ANCHOR
WITH 1 1/4" DIA SOCK IN 1 1/4"
DIA. HOLE -SOCKED LENGTH 3"
UNDERCUT HOLE
OUTER END - COUPLER NUT



VERTICAL WALL SECTION
OPTION 1

PROJECT: Ceiling Supports
CONSULTANT:
LOCATION: NYNY



Engineered Grout Injection Anchors by:
Cintec Reinforcement Systems
Tel: 1-410-761-0765
1-613-225-3381
Fax: 1-613-224-9042
E-mail: solutions@cintec.com

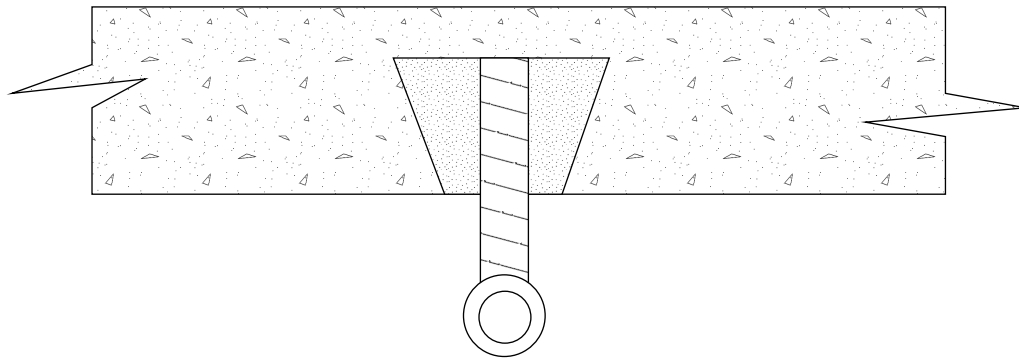
Drawing Title:

CEILING SUPPORTS



NOTICE: THIS DRAWING (INCLUDING THE DESIGN AND THE TECHNICAL INFORMATION SHOWN HEREON) BELONGS TO AND IS THE COPYRIGHT OF CINTEC REINFORCEMENT SYSTEMS ("Cintec") AND ACCORDINGLY THE PERSON, FIRM, COMPANY OR ORGANIZATION TO WHOM THIS DRAWING HAS BEEN PROVIDED MAY NOT COPY, RE-PRODUCE OR MAKE ANY USE OF THE DRAWING (INCLUDING THE DESIGN OR ANY OF THE TECHNICAL INFORMATION SHOWN HEREON) OR SHOW OR OTHERWISE PROVIDE THE DRAWING (OR THE SAID DESIGN OR ANY OF THE TECHNICAL INFORMATION) TO ANY THIRD PARTY WITHOUT CINTEC'S SPECIFIC PERMISSION.

3/8" SOLID THREADED
CINTEC CEILING SUPPORT
ANCHOR
WITH 1 1/4" DIA SOCK IN 1 1/4"
DIA. HOLE -SOCKED LENGTH 3"
UNDERCUT HOLE
OUTER END - EYE BOLT



VERTICAL WALL SECTION
OPTION 2

PROJECT: Ceiling Supports
CONSULTANT:
LOCATION: NYNY



Engineered Grout Injection Anchors by:
Cintec Reinforcement Systems
Tel: 1-410-761-0765
1-613-225-3381
Fax: 1-613-224-9042
E-mail: solutions@cintec.com

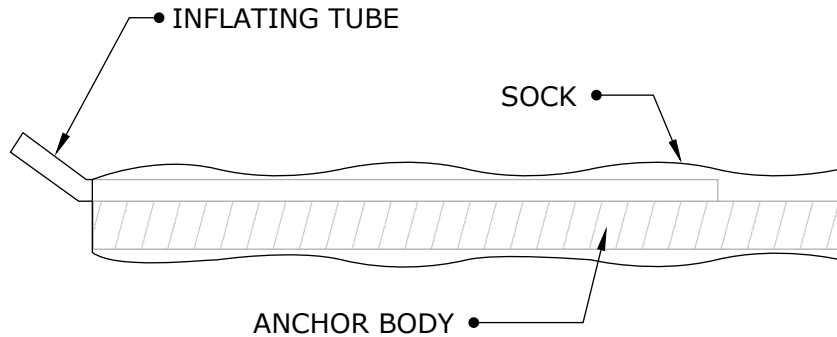
Drawing Title:

CEILING SUPPORTS



NOTICE: THIS DRAWING (INCLUDING THE DESIGN AND THE TECHNICAL INFORMATION SHOWN HEREON) BELONGS TO AND IS THE COPYRIGHT OF CINTEC REINFORCEMENT SYSTEMS ("Cintec") AND ACCORDINGLY THE PERSON, FIRM, COMPANY OR ORGANIZATION TO WHOM THIS DRAWING HAS BEEN PROVIDED MAY NOT COPY, RE-PRODUCE OR MAKE ANY USE OF THE DRAWING (INCLUDING THE DESIGN OR ANY OF THE TECHNICAL INFORMATION SHOWN HEREON) OR SHOW OR OTHERWISE PROVIDE THE DRAWING (OR THE SAID DESIGN OR ANY OF THE TECHNICAL INFORMATION) TO ANY THIRD PARTY WITHOUT CINTEC'S SPECIFIC PERMISSION.

Cintec M12 / 1/2" Anchor Fully Socked



ANCHOR BODY	SOCK	END CONDITION
S/S Grade 304 1/2" Dia Solid threaded	Full length of Anchor Body 1 1/4" Dia	PLAIN ENDS

Client to confirm ALL lengths before ordering.



Engineered Grout Injection Anchors by:
Cintec Reinforcement Systems
 Tel: 1-410-761-0765
 1-613-225-3381
 Fax: 1-613-224-9042
 E-mail: solutions@cintec.com

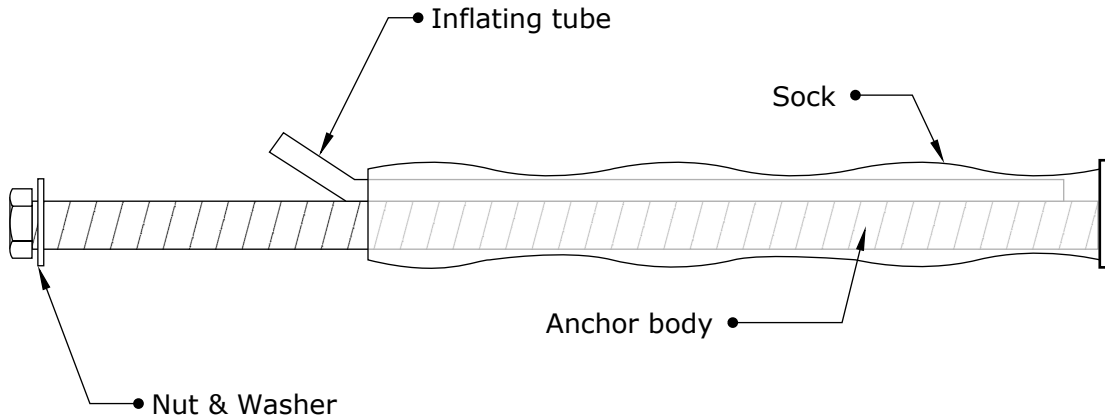
Drawing Title:

CINTEC M12 / 1/2" ANCHOR



NOTICE: THIS DRAWING (INCLUDING THE DESIGN AND THE TECHNICAL INFORMATION SHOWN HEREON) BELONGS TO AND IS THE COPYRIGHT OF CINTEC REINFORCEMENT SYSTEMS ("Cintec") AND ACCORDINGLY THE PERSON, FIRM, COMPANY OR ORGANIZATION TO WHOM THIS DRAWING HAS BEEN PROVIDED MAY NOT COPY, RE-PRODUCE OR MAKE ANY USE OF THE DRAWING (INCLUDING THE DESIGN OR ANY OF THE TECHNICAL INFORMATION SHOWN HEREON) OR SHOW OR OTHERWISE PROVIDE THE DRAWING (OR THE SAID DESIGN OR ANY OF THE TECHNICAL INFORMATION) TO ANY THIRD PARTY WITHOUT CINTEC'S SPECIFIC PERMISSION.

Cintec M12 1/2" Stainless steel Anchor



ANCHOR BODY	SOCK	WASHER
S/S Grade 304 M12 (1/2") Solid threaded rod	Sock length to suit site conditions	SS 304

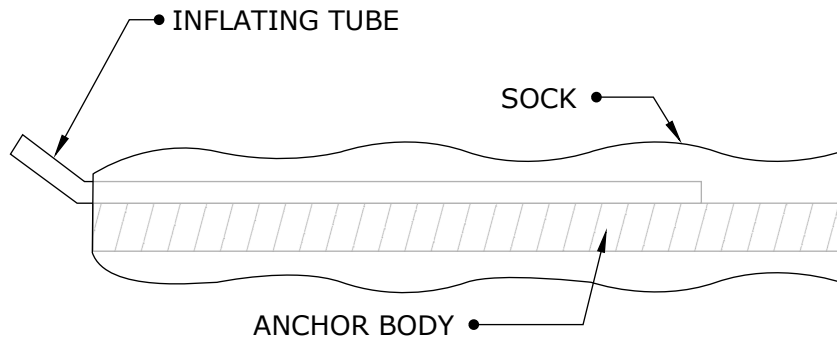
Client to confirm ALL lengths before ordering.

	Engineered Grout Injection Anchors by: Cintec Reinforcement Systems Tel: 1-410-761-0765 1-613-225-3381 Fax: 1-613-224-9042 E-mail: solutions@cintec.com	Drawing Title: CINTEC M12 1/2" STAINLESS STEEL ANCHOR
--	---	--



NOTICE: THIS DRAWING (INCLUDING THE DESIGN AND THE TECHNICAL INFORMATION SHOWN HEREON) BELONGS TO AND IS THE COPYRIGHT OF CINTEC REINFORCEMENT SYSTEMS ("Cintec") AND ACCORDINGLY THE PERSON, FIRM, COMPANY OR ORGANIZATION TO WHOM THIS DRAWING HAS BEEN PROVIDED MAY NOT COPY, RE-PRODUCE OR MAKE ANY USE OF THE DRAWING (INCLUDING THE DESIGN OR ANY OF THE TECHNICAL INFORMATION SHOWN HEREON) OR SHOW OR OTHERWISE PROVIDE THE DRAWING (OR THE SAID DESIGN OR ANY OF THE TECHNICAL INFORMATION) TO ANY THIRD PARTY WITHOUT CINTEC'S SPECIFIC PERMISSION.

Cintec M12 / 1/2" Anchor with oversize sock for Terra-Cotta



ANCHOR BODY	SOCK	END CONDITION
S/S Grade 304 1/2" Dia Solid threaded	Full length of Anchor Body 2" Dia Sock	PLAIN ENDS

CLIENT TO CONFIRM ALL ANCHOR LENGTHS BY SITE MEASUREMENTS

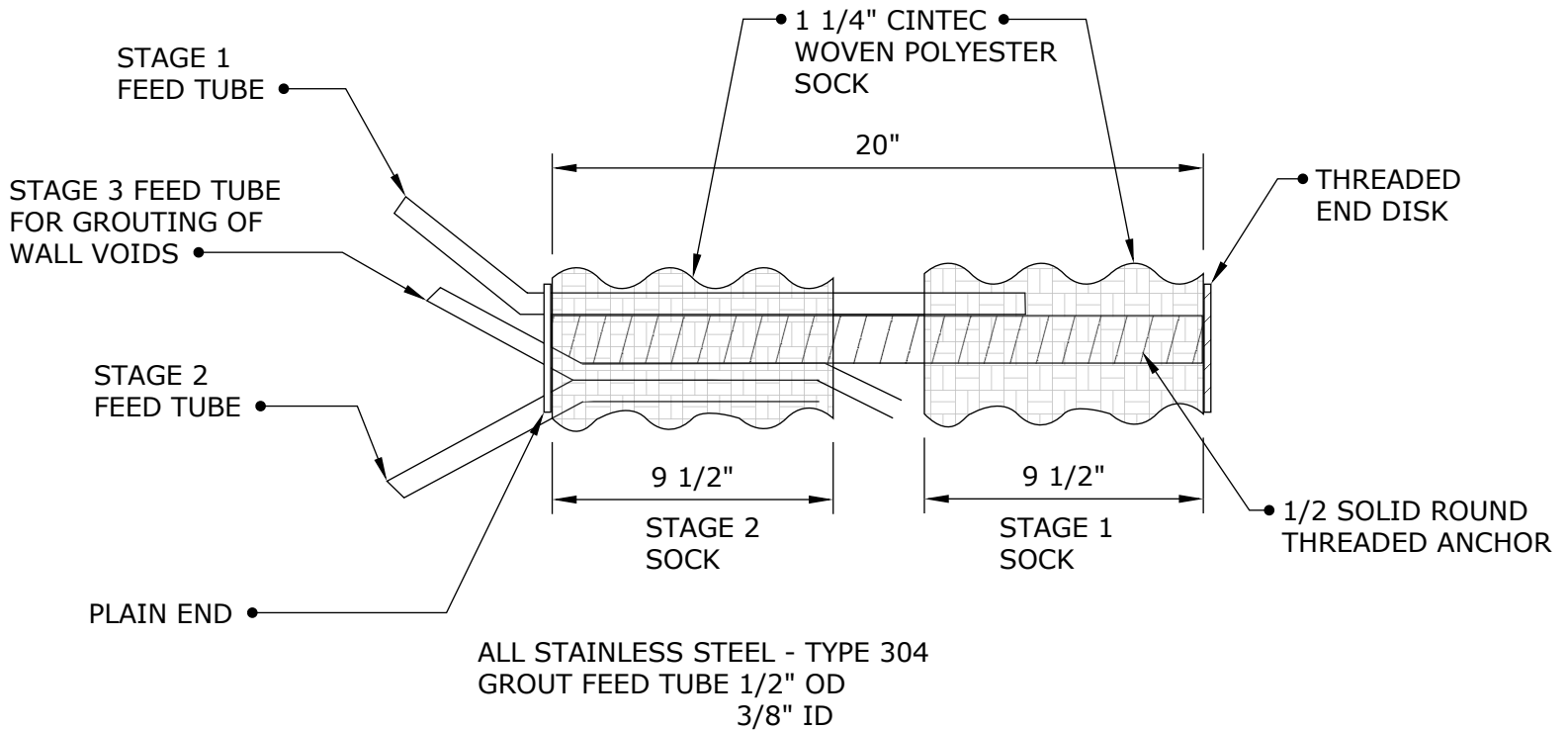
**NB Drill hole size
1 1/4"**

	Engineered Grout Injection Anchors by: Cintec Reinforcement Systems Tel: 1-410-761-0765 1-613-225-3381 Fax: 1-613-224-9042 E-mail: solutions@cintec.com	Drawing Title: CINTEC M12 1/2" STAINLESS STEEL ANCHOR



NOTICE: THIS DRAWING (INCLUDING THE DESIGN AND THE TECHNICAL INFORMATION SHOWN HEREON) BELONGS TO AND IS THE COPYRIGHT OF CINTEC REINFORCEMENT SYSTEMS ("Cintec") AND ACCORDINGLY THE PERSON, FIRM, COMPANY OR ORGANIZATION TO WHOM THIS DRAWING HAS BEEN PROVIDED MAY NOT COPY, RE-PRODUCE OR MAKE ANY USE OF THE DRAWING (INCLUDING THE DESIGN OR ANY OF THE TECHNICAL INFORMATION SHOWN HEREON) OR SHOW OR OTHERWISE PROVIDE THE DRAWING (OR THE SAID DESIGN OR ANY OF THE TECHNICAL INFORMATION) TO ANY THIRD PARTY WITHOUT CINTEC'S SPECIFIC PERMISSION.

CINTEC 2 STAGE M12 1/2" DIA STAINLESS STEEL ANCHOR



ANCHOR LENGTH TO SUIT SITE CONDITIONS
 Client to confirm ALL lengths before ordering.



Engineered Grout Injection Anchors by:
Cintec Reinforcement Systems
 Tel: 1-410-761-0765
 1-613-225-3381
 Fax: 1-613-224-9042
 E-mail: solutions@cintec.com

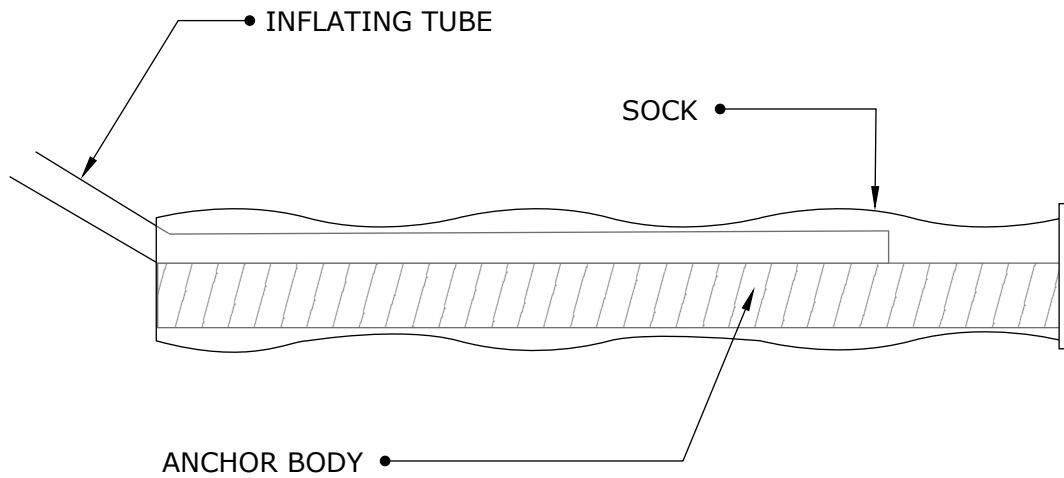
Drawing Title:

**CINTEC M12 1/2"
 STAINLESS STEEL ANCHOR**



NOTICE: THIS DRAWING (INCLUDING THE DESIGN AND THE TECHNICAL INFORMATION SHOWN HEREON) BELONGS TO AND IS THE COPYRIGHT OF CINTEC REINFORCEMENT SYSTEMS ("Cintec") AND ACCORDINGLY THE PERSON, FIRM, COMPANY OR ORGANIZATION TO WHOM THIS DRAWING HAS BEEN PROVIDED MAY NOT COPY, RE-PRODUCE OR MAKE ANY USE OF THE DRAWING (INCLUDING THE DESIGN OR ANY OF THE TECHNICAL INFORMATION SHOWN HEREON) OR SHOW OR OTHERWISE PROVIDE THE DRAWING (OR THE SAID DESIGN OR ANY OF THE TECHNICAL INFORMATION) TO ANY THIRD PARTY WITHOUT CINTEC'S SPECIFIC PERMISSION.

CINTEC M16 5/8" - Stainless steel Anchor FULLY SOCKED



ANCHOR BODY	SOCK	END CONDITION
SS TYPE 304 5/8" - 16 MM SOLID ROUND THREADED ROD	FULL LENGTH OF ANCHOR BODY DIA 1 1/2"	PLAIN ENDS

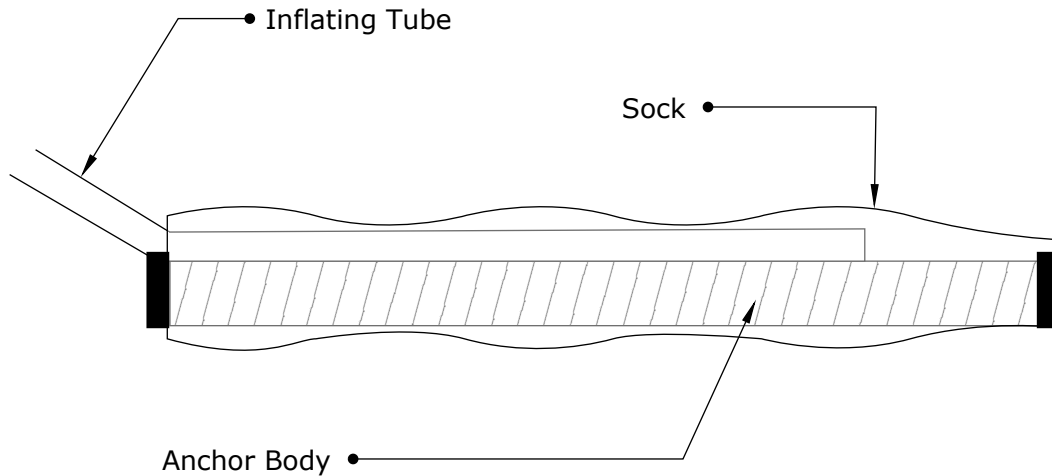
ANCHOR LENGTH TO SUIT SITE CONDITIONS
Client to confirm ALL lengths before ordering.

	Engineered Grout Injection Anchors by: Cintec Reinforcement Systems Tel: 1-410-761-0765 1-613-225-3381 Fax: 1-613-224-9042 E-mail: solutions@cintec.com	Drawing Title: CINTEC M12 1/2" STAINLESS STEEL ANCHOR
--	---	---



NOTICE: THIS DRAWING (INCLUDING THE DESIGN AND THE TECHNICAL INFORMATION SHOWN HEREON) BELONGS TO AND IS THE COPYRIGHT OF CINTEC REINFORCEMENT SYSTEMS ("Cintec") AND ACCORDINGLY THE PERSON, FIRM, COMPANY OR ORGANIZATION TO WHOM THIS DRAWING HAS BEEN PROVIDED MAY NOT COPY, RE-PRODUCE OR MAKE ANY USE OF THE DRAWING (INCLUDING THE DESIGN OR ANY OF THE TECHNICAL INFORMATION SHOWN HEREON) OR SHOW OR OTHERWISE PROVIDE THE DRAWING (OR THE SAID DESIGN OR ANY OF THE TECHNICAL INFORMATION) TO ANY THIRD PARTY WITHOUT CINTEC'S SPECIFIC PERMISSION.

M20 3/4" STAINLESS STEEL CINTEC ANCHOR



ANCHOR BODY	SOCK	END CONDITION
Grade 304 S/S 20mm 3/4" Dia	2" or larger to suit site conditions as directed by project Engineer/ Architect	

ANCHOR LENGTH TO SUIT SITE CONDITIONS
Client to confirm ALL lengths before ordering.

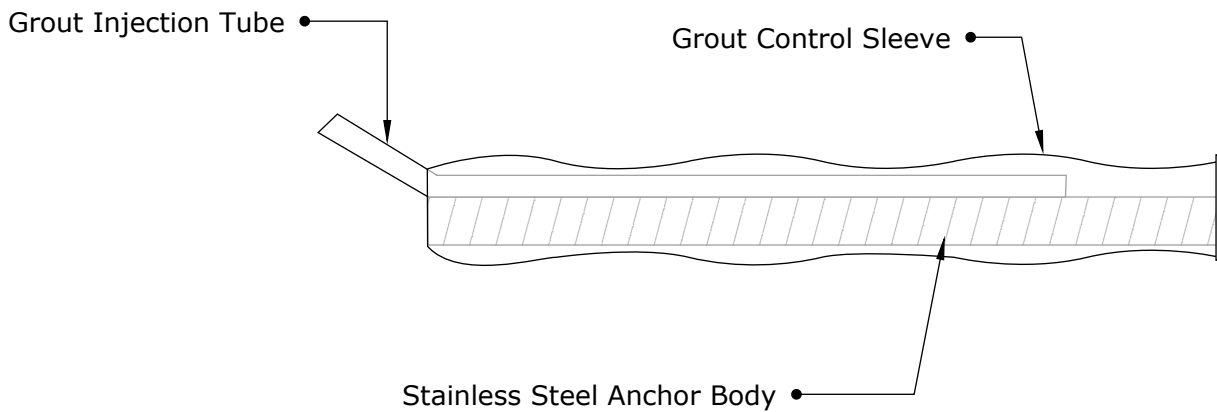
	Engineered Grout Injection Anchors by: Cintec Reinforcement Systems Tel: 1-410-761-0765 1-613-225-3381 Fax: 1-613-224-9042 E-mail: solutions@cintec.com	Drawing Title: M20 3/4" STAINLESS STEEL CINTEC ANCHOR
--	---	---



NOTICE: THIS DRAWING (INCLUDING THE DESIGN AND THE TECHNICAL INFORMATION SHOWN HEREON) BELONGS TO AND IS THE COPYRIGHT OF CINTEC REINFORCEMENT SYSTEMS ("Cintec") AND ACCORDINGLY THE PERSON, FIRM, COMPANY OR ORGANIZATION TO WHOM THIS DRAWING HAS BEEN PROVIDED MAY NOT COPY, RE-PRODUCE OR MAKE ANY USE OF THE DRAWING (INCLUDING THE DESIGN OR ANY OF THE TECHNICAL INFORMATION SHOWN HEREON) OR SHOW OR OTHERWISE PROVIDE THE DRAWING (OR THE SAID DESIGN OR ANY OF THE TECHNICAL INFORMATION) TO ANY THIRD PARTY WITHOUT CINTEC'S SPECIFIC PERMISSION.

TYPICAL CINTEC REINFORCEMENT ANCHOR

Cintec Stainless steel Anchor #7 Rebar



ANCHOR BODY	SOCK	CORE HOLE SIZE
SS Type 304 #7 Rebar Anchor Body	Full length of Anchor Body	To suit site conditions

All CINTEC anchors are comprised of a structural member surrounded by a fabric sleeve into which Presstec grout is injected. Stainless steel sizes/sections & lengths, sleeve sizes & end conditions vary in accordance with specific design.

ANCHOR LENGTH TO SUIT SITE CONDITIONS
Client to confirm ALL lengths before ordering.

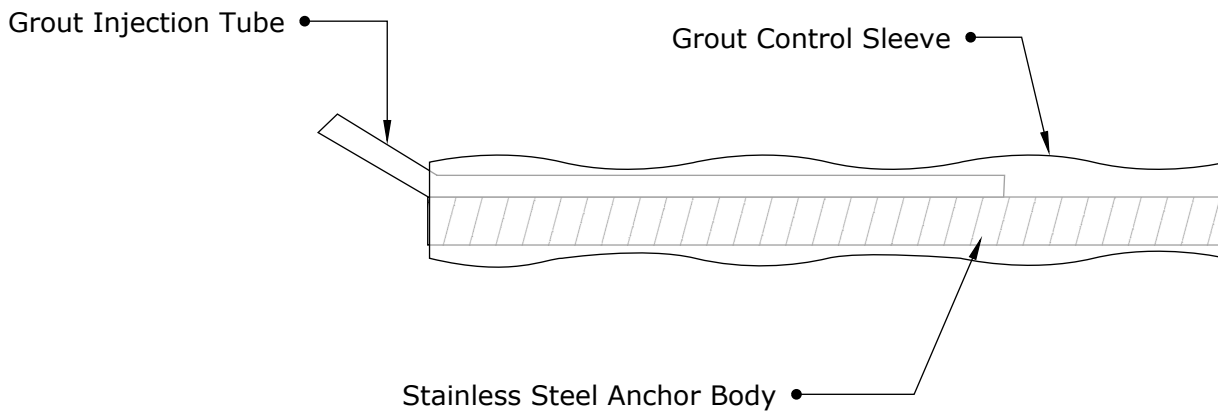
	<p>Engineered Grout Injection Anchors by: Cintec Reinforcement Systems Tel: 1-410-761-0765 1-613-225-3381 Fax: 1-613-224-9042 E-mail: solutions@cintec.com</p>	<p>Drawing Title: CINTEC STAINLESS STEEL ANCHOR #7</p>
--	--	--



NOTICE: THIS DRAWING (INCLUDING THE DESIGN AND THE TECHNICAL INFORMATION SHOWN HEREON) BELONGS TO AND IS THE COPYRIGHT OF CINTEC REINFORCEMENT SYSTEMS ("Cintec") AND ACCORDINGLY THE PERSON, FIRM, COMPANY OR ORGANIZATION TO WHOM THIS DRAWING HAS BEEN PROVIDED MAY NOT COPY, RE-PRODUCE OR MAKE ANY USE OF THE DRAWING (INCLUDING THE DESIGN OR ANY OF THE TECHNICAL INFORMATION SHOWN HEREON) OR SHOW OR OTHERWISE PROVIDE THE DRAWING (OR THE SAID DESIGN OR ANY OF THE TECHNICAL INFORMATION) TO ANY THIRD PARTY WITHOUT CINTEC'S SPECIFIC PERMISSION.

TYPICAL CINTEC REINFORCEMENT ANCHOR

CINTEC M25 STAINLESS STEEL ANCHOR



ANCHOR BODY	SOCK	CORE HOLE SIZE
SS Type 304 1" Dia Anchor Body	Full length of Anchor Body	To suit site conditions

All CINTEC anchors are comprised of a structural member surrounded by a fabric sleeve into which Presstec grout is injected. Stainless steel sizes/sections & lengths, sleeve sizes & end conditions vary in accordance with specific design.

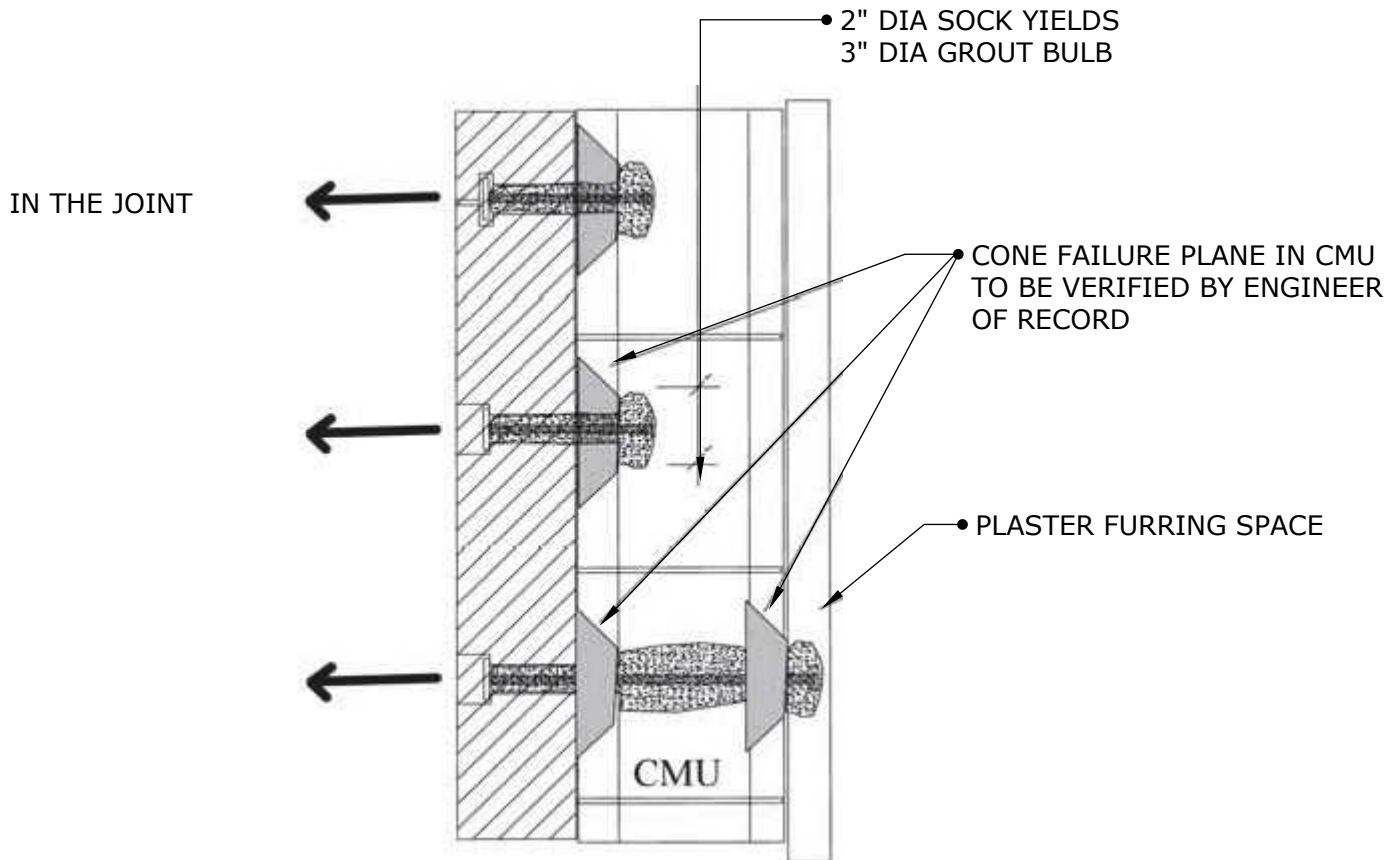
ANCHOR LENGTH TO SUIT SITE CONDITIONS
Client to confirm ALL lengths before ordering.

	Engineered Grout Injection Anchors by: Cintec Reinforcement Systems Tel: 1-410-761-0765 1-613-225-3381 Fax: 1-613-224-9042 E-mail: solutions@cintec.com	Drawing Title:
		CINTEC M25 STAINLESS STEEL ANCHOR



NOTICE: THIS DRAWING (INCLUDING THE DESIGN AND THE TECHNICAL INFORMATION SHOWN HEREON) BELONGS TO AND IS THE COPYRIGHT OF CINTEC REINFORCEMENT SYSTEMS ("Cintec") AND ACCORDINGLY THE PERSON, FIRM, COMPANY OR ORGANIZATION TO WHOM THIS DRAWING HAS BEEN PROVIDED MAY NOT COPY, RE-PRODUCE OR MAKE ANY USE OF THE DRAWING (INCLUDING THE DESIGN OR ANY OF THE TECHNICAL INFORMATION SHOWN HEREON) OR SHOW OR OTHERWISE PROVIDE THE DRAWING (OR THE SAID DESIGN OR ANY OF THE TECHNICAL INFORMATION) TO ANY THIRD PARTY WITHOUT CINTEC'S SPECIFIC PERMISSION.

CINTEC ANCHOR TO ATTACH BRICK/STONE TO HOLLOW MASONRY UNIT (CMU)



ANCHOR LENGTH TO SUIT SITE CONDITIONS
Client to confirm ALL lengths before ordering.

	<p>Engineered Grout Injection Anchors by: Cintec Reinforcement Systems Tel: 1-410-761-0765 1-613-225-3381 Fax: 1-613-224-9042 E-mail: solutions@cintec.com</p>	<p>Drawing Title: CINTEC ANCHOR TO ATTACH BRICK/STONE TO HOLLOW MASONRY UNIT</p>
--	--	--

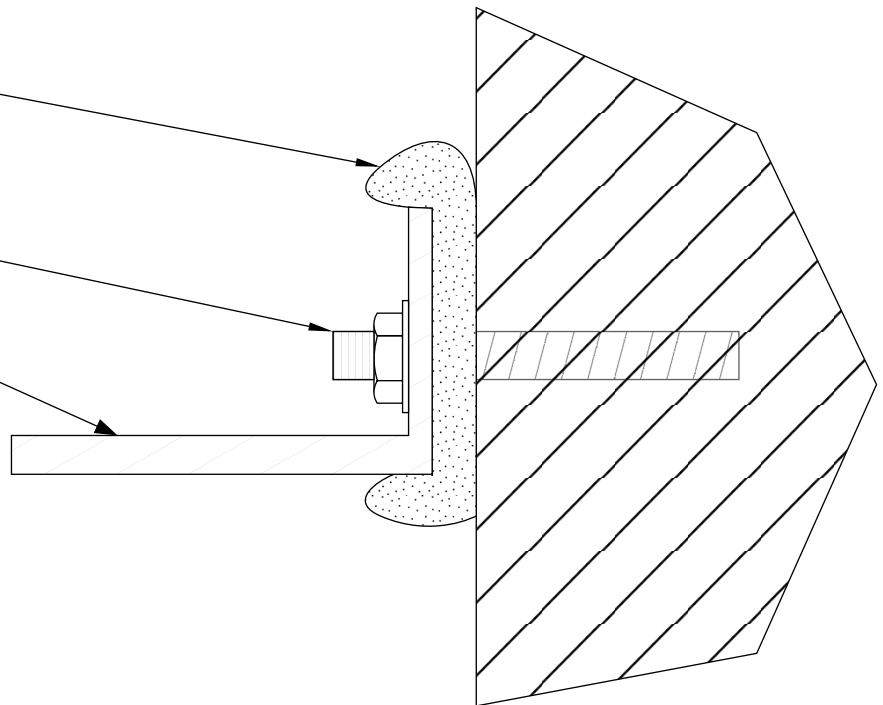


NOTICE: THIS DRAWING (INCLUDING THE DESIGN AND THE TECHNICAL INFORMATION SHOWN HEREON) BELONGS TO AND IS THE COPYRIGHT OF CINTEC REINFORCEMENT SYSTEMS ("Cintec") AND ACCORDINGLY THE PERSON, FIRM, COMPANY OR ORGANIZATION TO WHOM THIS DRAWING HAS BEEN PROVIDED MAY NOT COPY, RE-PRODUCE OR MAKE ANY USE OF THE DRAWING (INCLUDING THE DESIGN OR ANY OF THE TECHNICAL INFORMATION SHOWN HEREON) OR SHOW OR OTHERWISE PROVIDE THE DRAWING (OR THE SAID DESIGN OR ANY OF THE TECHNICAL INFORMATION) TO ANY THIRD PARTY WITHOUT CINTEC'S SPECIFIC PERMISSION.

CINTEC ANTI ROTATION PILLOW

3" WIDE X 6" LONG
 CINTEC ANTI-ROTATION
 PILLOW
 INJECT WITH PRESSTEC
 GROUT BY CINTEC
 PILLOW TO BE PLACED
 BETWEEN EXISTING ANCHORS

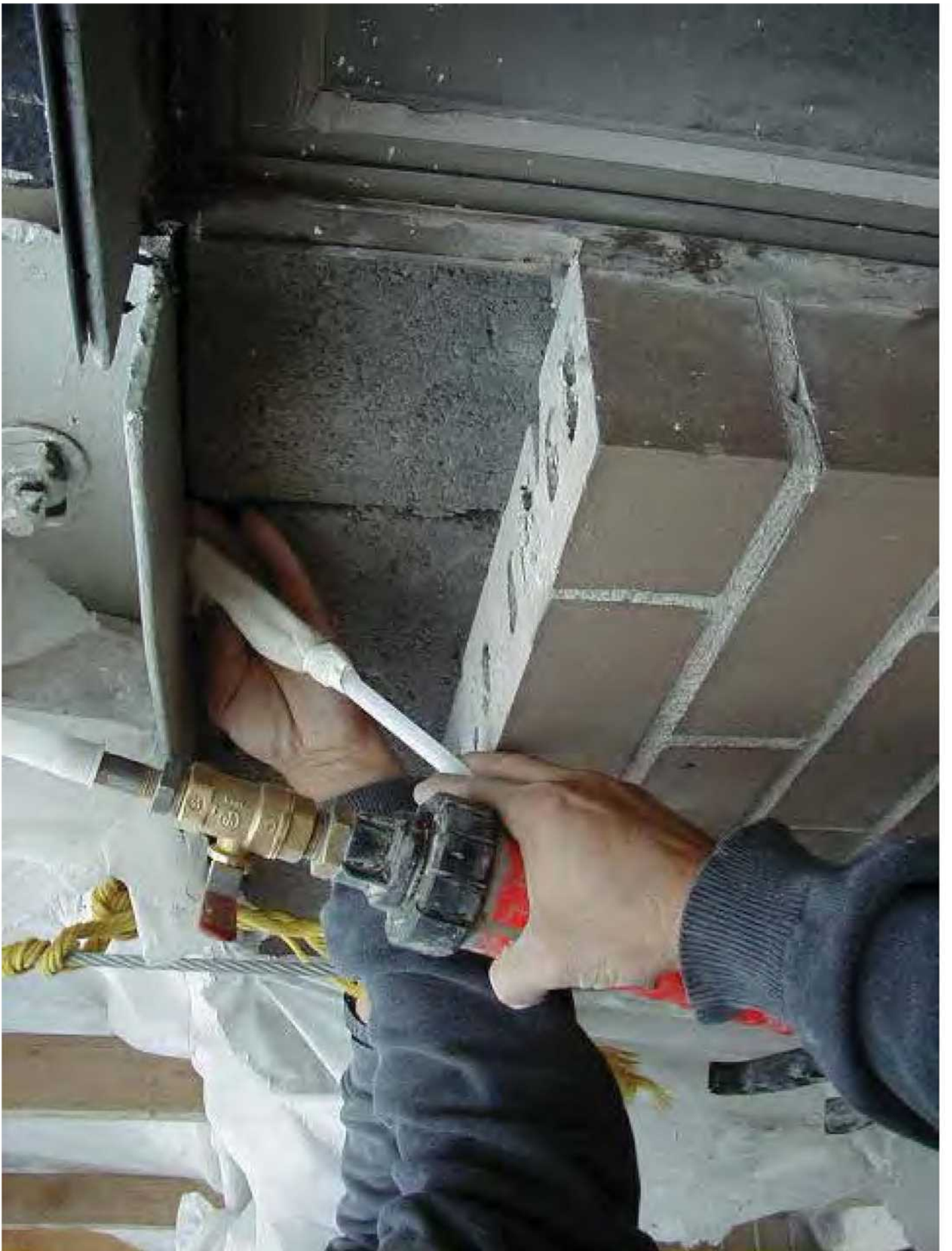
EXISTING SHELF ANGLE
 AND ANCHORS

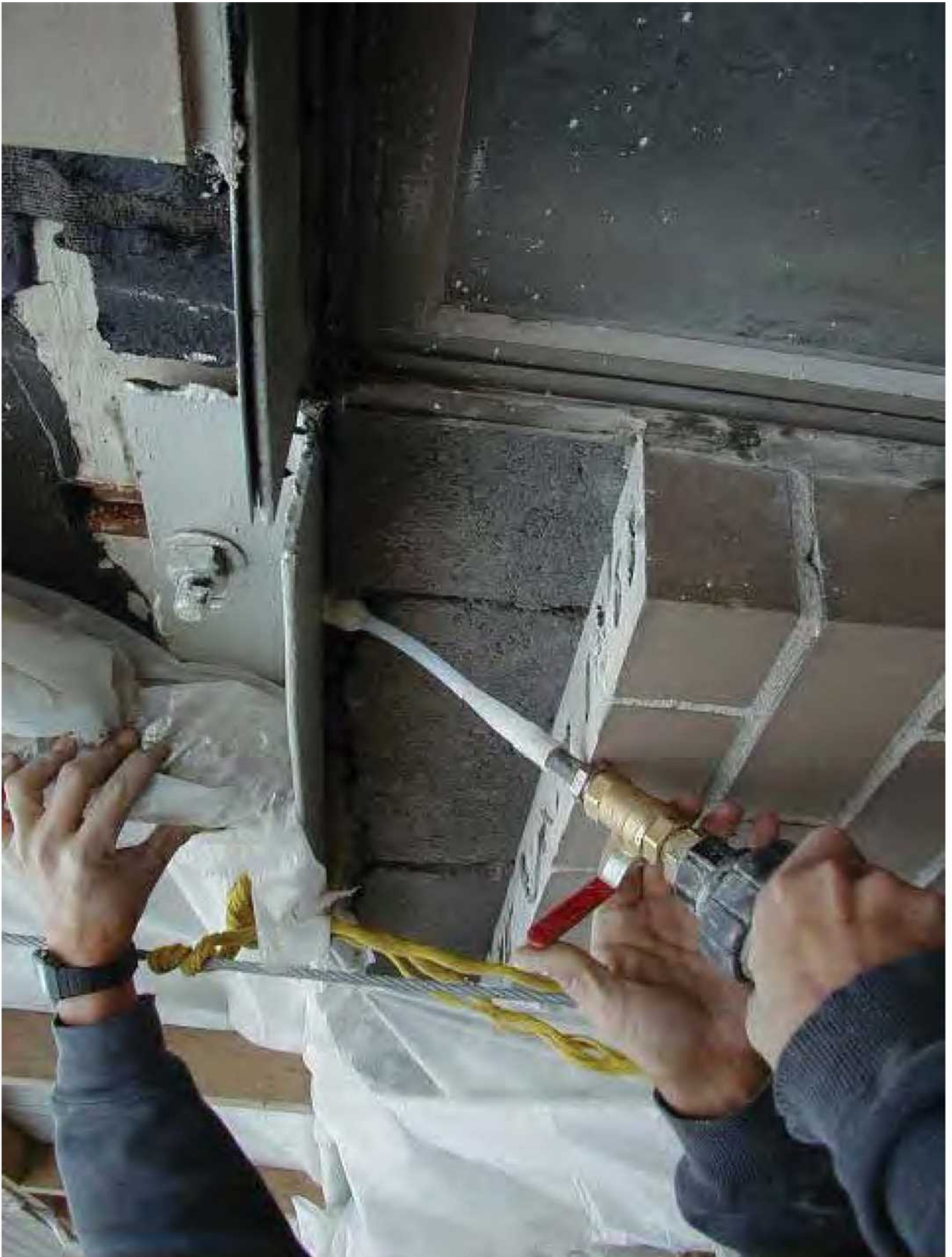


Engineered Grout Injection Anchors by:
Cintec Reinforcement Systems
 Tel: 1-410-761-0765
 1-613-225-3381
 Fax: 1-613-224-9042
 E-mail: solutions@cintec.com

Drawing Title:

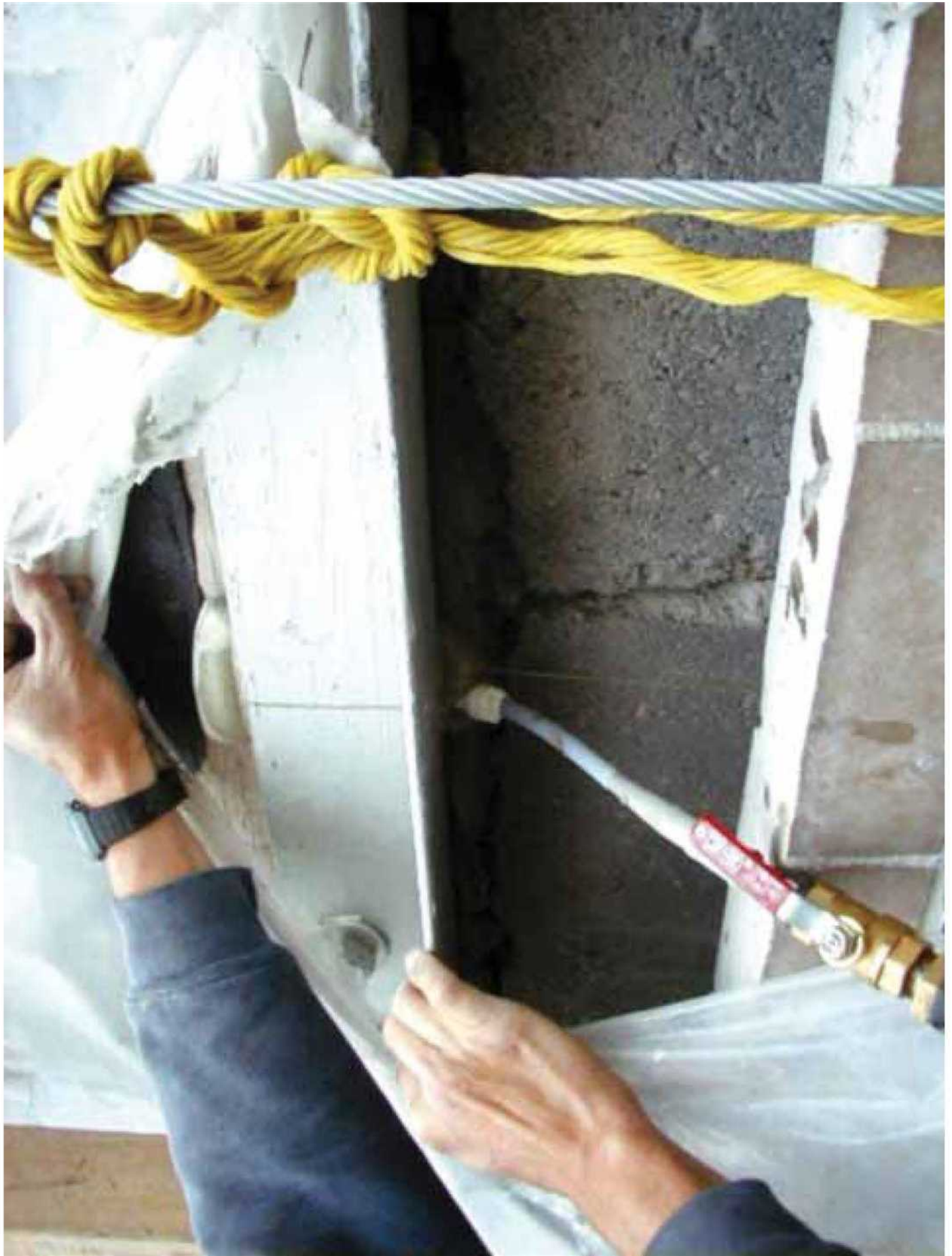
**CINTEC ANTI ROTATION
 PILLOW**













Facade of Building to wood floor diaphragm stabilization

CINTEC

REINFORCEMENT SYSTEMS



This five storey apartment block required the securing of its brick walls to each of its wooden floors. Cintec 5/8 inch diameter M16 solid bar anchors of 4ft 3inch in length were installed at an angle of 45°. Protruding beyond the underside of the wooden floor beams enabled the inflated anchor to expand beyond the width of the drill hole to form a highly secure stopper locking together the various structural elements.

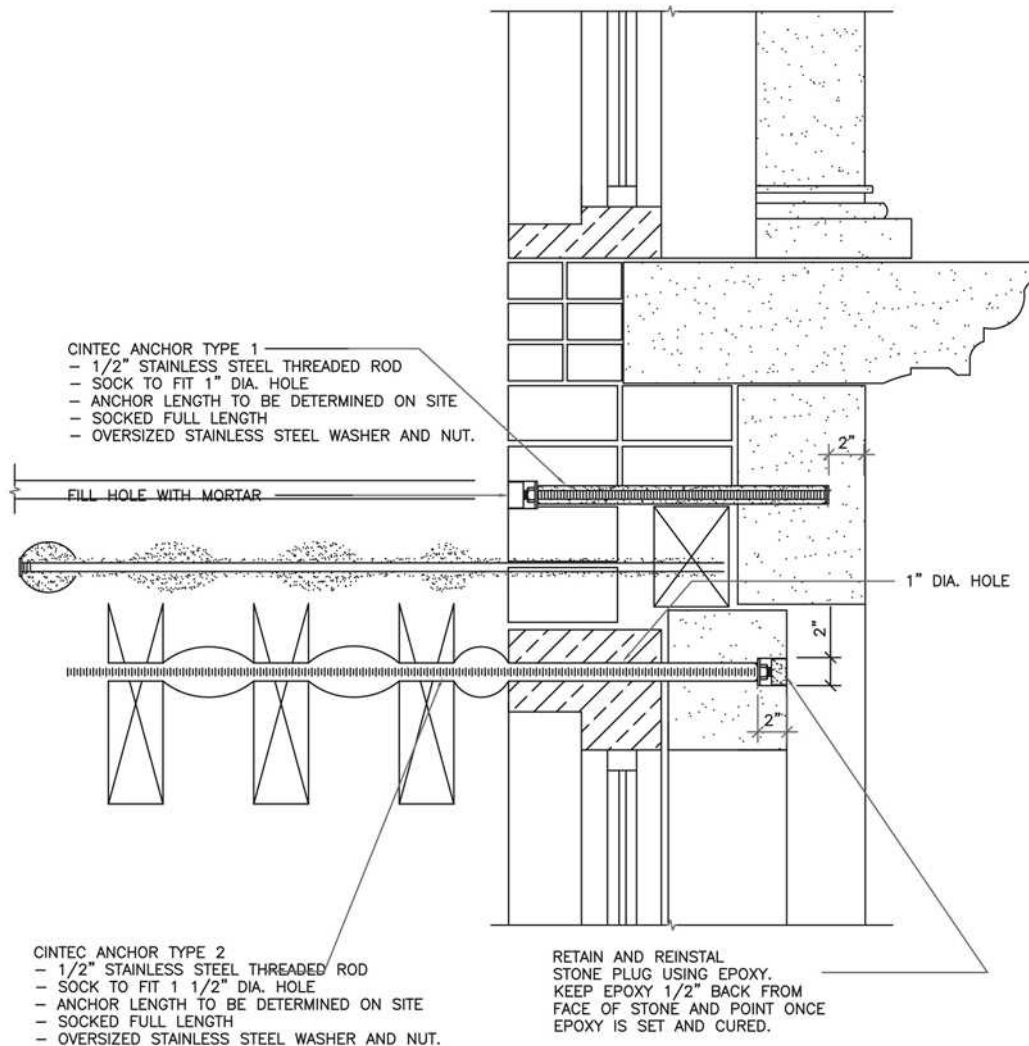
CINTEC

REINFORCEMENT SYSTEMS

www.cintec.com

NOTICE: THIS DRAWING (INCLUDING THE DESIGN AND THE TECHNICAL INFORMATION SHOWN HEREON) BELONGS TO AND IS THE COPYRIGHT OF CINTEC REINFORCEMENT SYSTEMS ("Cintec") AND ACCORDINGLY THE PERSON, FIRM, COMPANY OR ORGANIZATION TO WHOM THIS DRAWING HAS BEEN PROVIDED MAY NOT COPY, RE-PRODUCE OR MAKE ANY USE OF THE DRAWING (INCLUDING THE DESIGN OR ANY OF THE TECHNICAL INFORMATION SHOWN HEREON) OR SHOW OR OTHERWISE PROVIDE THE DRAWING (OR THE SAID DESIGN OR ANY OF THE TECHNICAL INFORMATION) TO ANY THIRD PARTY WITHOUT CINTEC'S SPECIFIC PERMISSION.

PROJECT DATA:
 LOCATION: GENERIC
 SUBSTRATE: BRICK WOOD
 ANCHOR TYPE: SRT STONE
 PRINCIPAL LOAD (FORCES) :
 COMBINED



Engineered Grout Injection Anchors by:
Cintec Reinforcement Systems
 Tel: 1-410-761-0765
 1-613-225-3381
 Fax: 1-613-224-9042
 E-mail: solutions@cintec.com

Drawing Title:

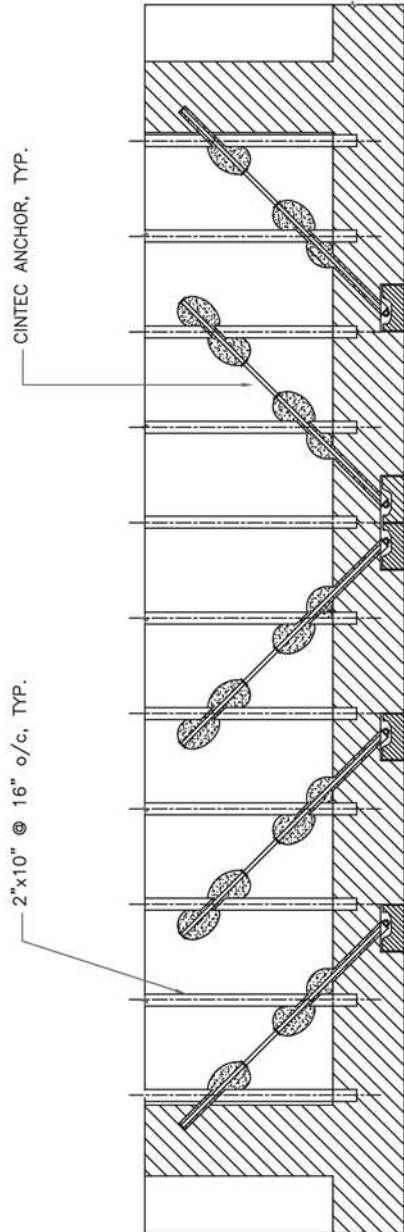
CINTEC M10 STAINLESS STEEL ANCHOR

CINTEC

REINFORCEMENT SYSTEMS

www.cintec.com

NOTICE: THIS DRAWING (INCLUDING THE DESIGN AND THE TECHNICAL INFORMATION SHOWN HEREON) BELONGS TO AND IS THE COPYRIGHT OF CINTEC REINFORCEMENT SYSTEMS ("Cintec") AND ACCORDINGLY THE PERSON, FIRM, COMPANY OR ORGANIZATION TO WHOM THIS DRAWING HAS BEEN PROVIDED MAY NOT COPY, RE-PRODUCE OR MAKE ANY USE OF THE DRAWING (INCLUDING THE DESIGN OR ANY OF THE TECHNICAL INFORMATION SHOWN HEREON) OR SHOW OR OTHERWISE PROVIDE THE DRAWING (OR THE SAID DESIGN OR ANY OF THE TECHNICAL INFORMATION) TO ANY THIRD PARTY WITHOUT CINTEC'S SPECIFIC PERMISSION.



FLOOR JOIST PARTIAL PLAN

PROJECT DATA:
LOCATION: GENERIC
SUBSTRATE: STONE WOOD
ANCHOR TYPE: SRT WOOD
JOIST TIE
PRINCIPAL LOAD (FORCES) :
TENSION



Engineered Grout Injection Anchors by:
Cintec Reinforcement Systems
Tel: 1-410-761-0765
1-613-225-3381
Fax: 1-613-224-9042
E-mail: solutions@cintec.com

Drawing Title:

**CINTEC M10 STAINLESS
STEEL ANCHOR**

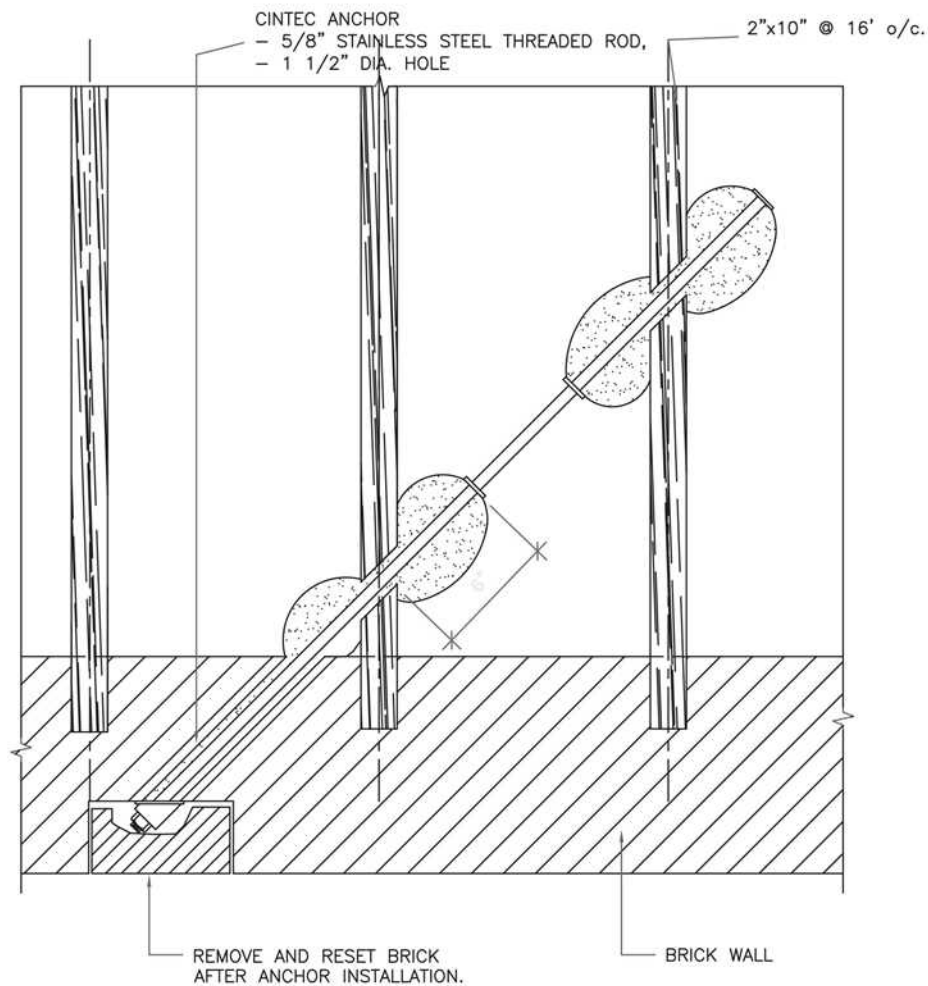
CINTEC

REINFORCEMENT SYSTEMS

www.cintec.com

NOTICE: THIS DRAWING (INCLUDING THE DESIGN AND THE TECHNICAL INFORMATION SHOWN HEREON) BELONGS TO AND IS THE COPYRIGHT OF CINTEC REINFORCEMENT SYSTEMS ("Cintec") AND ACCORDINGLY THE PERSON, FIRM, COMPANY OR ORGANIZATION TO WHOM THIS DRAWING HAS BEEN PROVIDED MAY NOT COPY, RE-PRODUCE OR MAKE ANY USE OF THE DRAWING (INCLUDING THE DESIGN OR ANY OF THE TECHNICAL INFORMATION SHOWN HEREON) OR SHOW OR OTHERWISE PROVIDE THE DRAWING (OR THE SAID DESIGN OR ANY OF THE TECHNICAL INFORMATION) TO ANY THIRD PARTY WITHOUT CINTEC'S SPECIFIC PERMISSION.

PROJECT DATA:
LOCATION: GENERIC
SUBSTRATE: STONE WOOD
ANCHOR TYPE: SRT WOOD
JOIST TIE
PRINCIPAL LOAD (FORCES) :
TENSION



Engineered Grout Injection Anchors by:
Cintec Reinforcement Systems
Tel: 1-410-761-0765
1-613-225-3381
Fax: 1-613-224-9042
E-mail: solutions@cintec.com

Drawing Title:

**CINTEC M16 STAINLESS
STEEL ANCHOR**

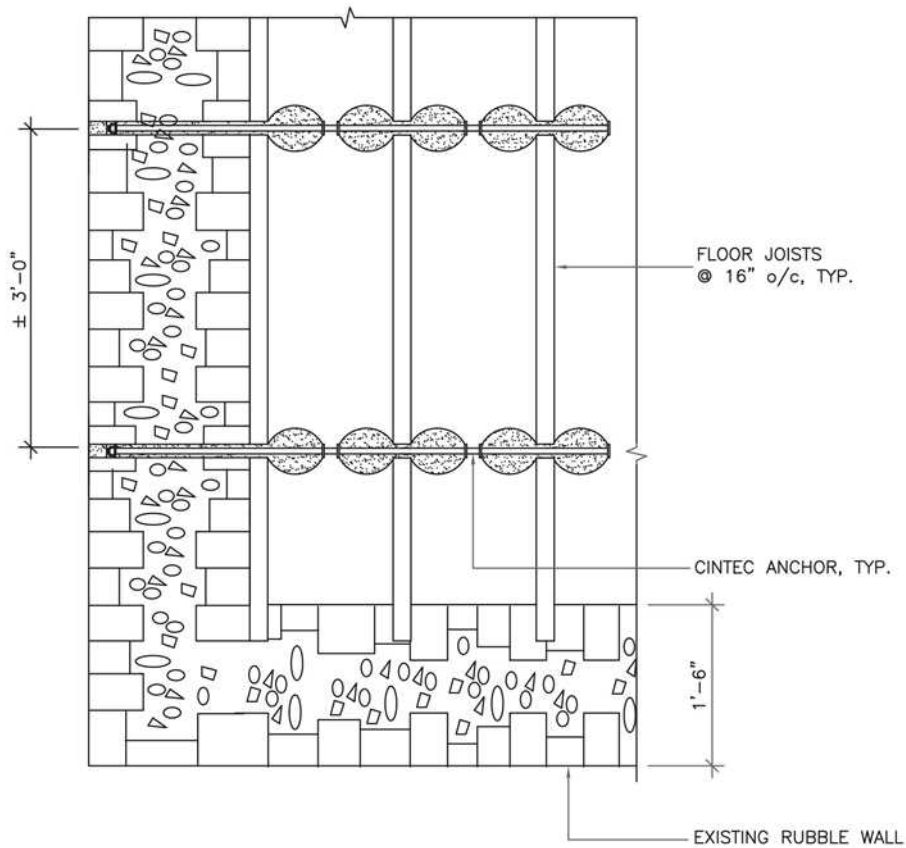
CINTEC

REINFORCEMENT SYSTEMS

www.cintec.com

NOTICE: THIS DRAWING (INCLUDING THE DESIGN AND THE TECHNICAL INFORMATION SHOWN HEREON) BELONGS TO AND IS THE COPYRIGHT OF CINTEC REINFORCEMENT SYSTEMS ("Cintec") AND ACCORDINGLY THE PERSON, FIRM, COMPANY OR ORGANIZATION TO WHOM THIS DRAWING HAS BEEN PROVIDED MAY NOT COPY, RE-PRODUCE OR MAKE ANY USE OF THE DRAWING (INCLUDING THE DESIGN OR ANY OF THE TECHNICAL INFORMATION SHOWN HEREON) OR SHOW OR OTHERWISE PROVIDE THE DRAWING (OR THE SAID DESIGN OR ANY OF THE TECHNICAL INFORMATION) TO ANY THIRD PARTY WITHOUT CINTEC'S SPECIFIC PERMISSION.

PROJECT DATA:
LOCATION: GENERIC
SUBSTRATE: STONE WOOD
ANCHOR TYPE: SRT WOOD
JOIST TIE
PRINCIPAL LOAD (FORCES) :
TENSION



FLOOR JOIST PARTIAL PLAN



Engineered Grout Injection Anchors by:
Cintec Reinforcement Systems
Tel: 1-410-761-0765
1-613-225-3381
Fax: 1-613-224-9042
E-mail: solutions@cintec.com

Drawing Title:

**CINTEC M10 STAINLESS
STEEL ANCHOR**

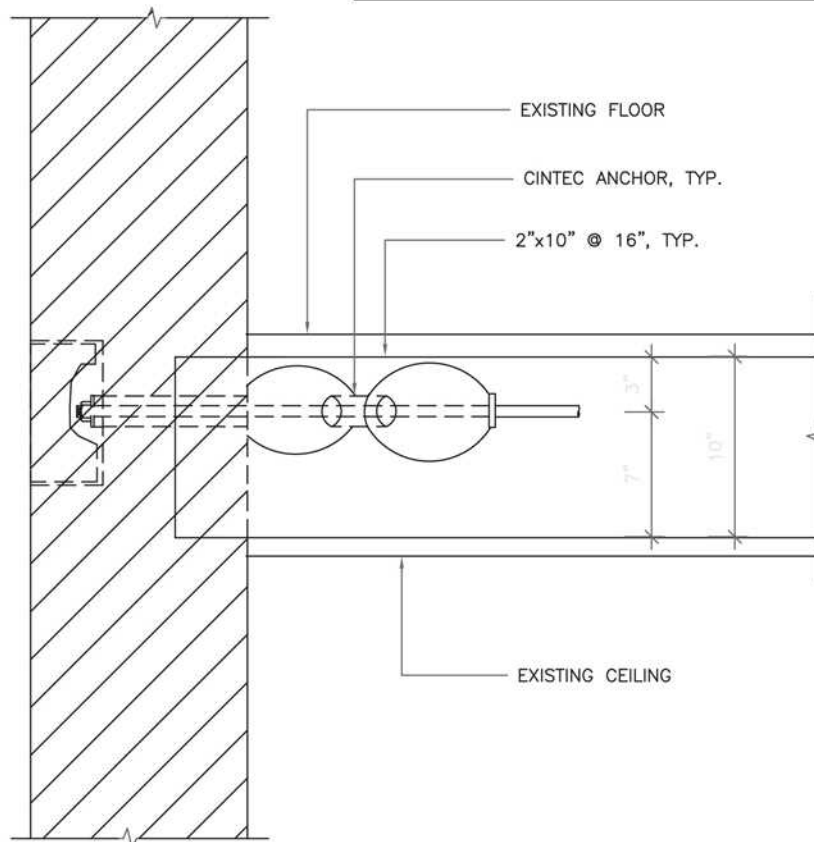
CINTEC

REINFORCEMENT SYSTEMS

www.cintec.com

NOTICE: THIS DRAWING (INCLUDING THE DESIGN AND THE TECHNICAL INFORMATION SHOWN HEREON) BELONGS TO AND IS THE COPYRIGHT OF CINTEC REINFORCEMENT SYSTEMS ("Cintec") AND ACCORDINGLY THE PERSON, FIRM, COMPANY OR ORGANIZATION TO WHOM THIS DRAWING HAS BEEN PROVIDED MAY NOT COPY, RE-PRODUCE OR MAKE ANY USE OF THE DRAWING (INCLUDING THE DESIGN OR ANY OF THE TECHNICAL INFORMATION SHOWN HEREON) OR SHOW OR OTHERWISE PROVIDE THE DRAWING (OR THE SAID DESIGN OR ANY OF THE TECHNICAL INFORMATION) TO ANY THIRD PARTY WITHOUT CINTEC'S SPECIFIC PERMISSION.

PROJECT DATA:
LOCATION: GENERIC
SUBSTRATE: STONE WOOD
ANCHOR TYPE: SRT WOOD
JOIST TIE
PRINCIPAL LOAD (FORCES) :
TENSION



SECTION



Engineered Grout Injection Anchors by:
Cintec Reinforcement Systems
Tel: 1-410-761-0765
1-613-225-3381
Fax: 1-613-224-9042
E-mail: solutions@cintec.com

Drawing Title:

**CINTEC M10 STAINLESS
STEEL ANCHOR**



Cintec's approach to stabilizing
a typical Historic Masonry Arch



Terms of Reference

CINTEC was requested by the Client to recommend a solution for structural deficiencies in the Arch.

The Client provided photos of the arch in its as-found condition, taken September 09, 2001..

The Problem

The load bearing structure of the arch displays typical symptoms of masonry deterioration. This includes visible cracking in main elements.

This damage was likely caused by deterioration of mortar joints, water infiltration, movements in foundations and settlement in the masonry core of the structure.

A large-scale restoration of the Arc de Triomphe in Paris was carried out recently, to address similar problems.

The Standard Solution

Standard conservation practice would require dismantling of damaged elements of the structure and replacement with new material. In this case this may require dismantling fairly large areas of the facing of the arch.

This is a costly process and very intrusive to the historic fabric of the structure. The new materials will not match exactly the original materials, and will be quite visible for sometime after the repairs until atmospheric pollution creates a patina on the surface of the new material.

The Solution

Good heritage conservation practice requires that minimum intervention in the structure should be the first guiding principle in selecting a preservation approach.

CINTEC proposes a solution that requires no or very limited replacement of the original masonry.

The solution involves stitching together of the deteriorated elements with stainless steel anchors encased in an injected grout retained in a fabric sock.

Dry diamond air-cooled drilling is used to create the holes for anchor insertion. This eliminates the need to pump additional water into the structure, which typically occurs with wet diamond drilling.

The grout is a natural product, with high resistance to fire and freeze-thaw damage.



NOTICE: THIS DRAWING (INCLUDING THE DESIGN AND THE TECHNICAL INFORMATION SHOWN HEREON) BELONGS TO AND IS THE COPYRIGHT OF CINTEC REINFORCEMENT SYSTEMS ("Cintec") AND ACCORDINGLY THE PERSON, FIRM, COMPANY OR ORGANIZATION TO WHOM THIS DRAWING HAS BEEN PROVIDED MAY NOT COPY, RE-PRODUCE OR MAKE ANY USE OF THE DRAWING (INCLUDING THE DESIGN OR ANY OF THE TECHNICAL INFORMATION SHOWN HEREON) OR SHOW OR OTHERWISE PROVIDE THE DRAWING (OR THE SAID DESIGN OR ANY OF THE TECHNICAL INFORMATION) TO ANY THIRD PARTY WITHOUT CINTEC'S SPECIFIC PERMISSION.



Photo 020 - Sept 09, 2001

Case 1: Cross Wythe Stitching Repair

Anchor specification 3/8" Ø hollow circular stainless steel CINTEC anchors with 3/4" Ø sock in 3/4" Ø hole. Plain ends.
Anchor spacing: 12" cts. Around opening.
Diamond 5 pattern elsewhere @ 36" cts.



Engineered Grout Injection Anchors by:
Cintec Reinforcement Systems
Tel: 1-410-761-0765
1-613-225-3381
Fax: 1-613-224-9042
E-mail: solutions@cintec.com

Drawing Title:

**CROSS WYTHE
STITCHING REPAIR**



Photo 001 - Sept. 09, 2001

Case 2: Brick Stitching Repair

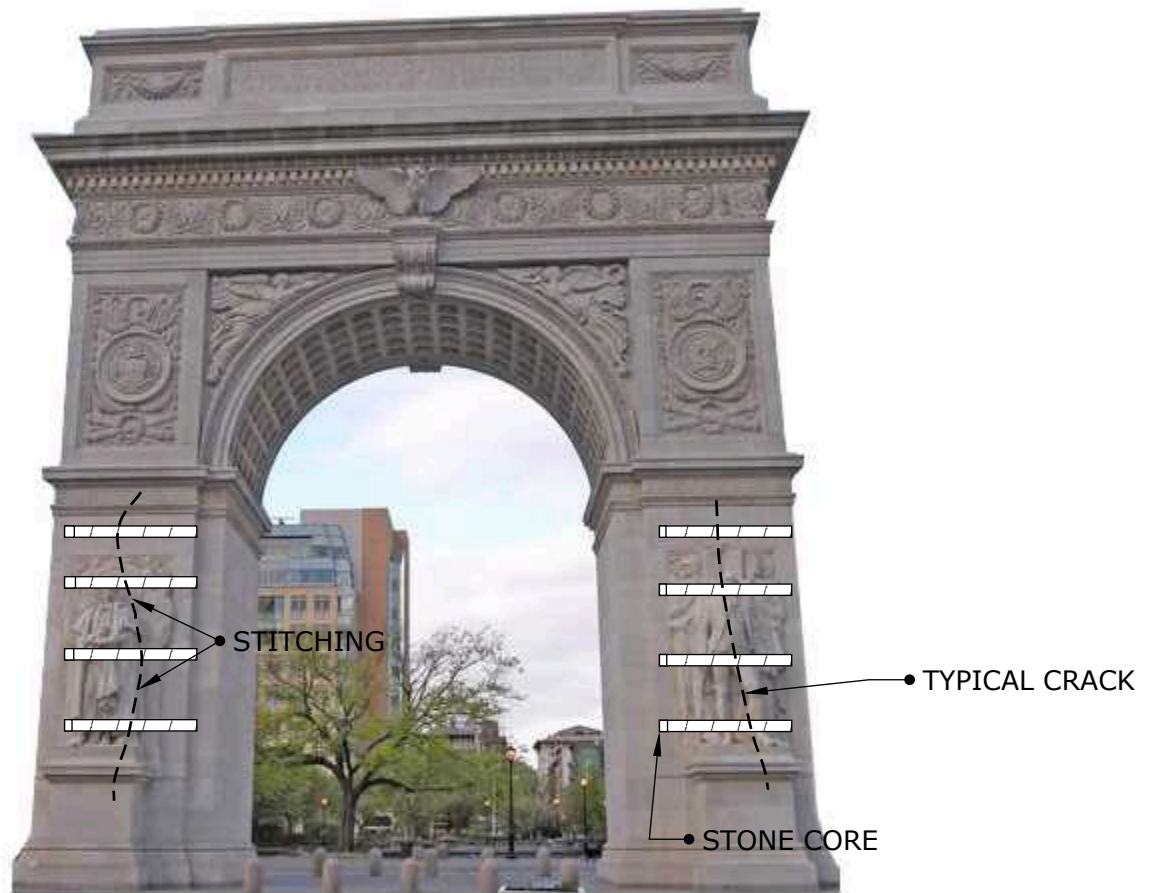
Anchor specification 3/8" Ø hollow circular stainless steel CINTEC anchors with 3/4" Ø sock in 3/4" Ø hole. Plain ends. Anchor spacing: 16" cts.

CINTEC

REINFORCEMENT SYSTEMS

www.cintec.com

NOTICE: THIS DRAWING (INCLUDING THE DESIGN AND THE TECHNICAL INFORMATION SHOWN HEREON) BELONGS TO AND IS THE COPYRIGHT OF CINTEC REINFORCEMENT SYSTEMS ("Cintec") AND ACCORDINGLY THE PERSON, FIRM, COMPANY OR ORGANIZATION TO WHOM THIS DRAWING HAS BEEN PROVIDED MAY NOT COPY, RE-PRODUCE OR MAKE ANY USE OF THE DRAWING (INCLUDING THE DESIGN OR ANY OF THE TECHNICAL INFORMATION SHOWN HEREON) OR SHOW OR OTHERWISE PROVIDE THE DRAWING (OR THE SAID DESIGN OR ANY OF THE TECHNICAL INFORMATION) TO ANY THIRD PARTY WITHOUT CINTEC'S SPECIFIC PERMISSION.



Case 3: Stone Corner Stitching Repair

Anchor specification: 3/4" Ø solid threaded steel CINTEC anchors with 2 1/2" Ø sock in 2 1/2" Ø hole 30" past crack. Plain ends.
Anchor spacing: 48" cts. vertical.



Engineered Grout Injection Anchors by:
Cintec Reinforcement Systems
Tel: 1-410-761-0765
1-613-225-3381
Fax: 1-613-224-9042
E-mail: solutions@cintec.com

Drawing Title:

**STONE CORNER
STITCHING REPAIR**



NOTICE: THIS DRAWING (INCLUDING THE DESIGN AND THE TECHNICAL INFORMATION SHOWN HEREON) BELONGS TO AND IS THE COPYRIGHT OF CINTEC REINFORCEMENT SYSTEMS ("Cintec") AND ACCORDINGLY THE PERSON, FIRM, COMPANY OR ORGANIZATION TO WHOM THIS DRAWING HAS BEEN PROVIDED MAY NOT COPY, RE-PRODUCE OR MAKE ANY USE OF THE DRAWING (INCLUDING THE DESIGN OR ANY OF THE TECHNICAL INFORMATION SHOWN HEREON) OR SHOW OR OTHERWISE PROVIDE THE DRAWING (OR THE SAID DESIGN OR ANY OF THE TECHNICAL INFORMATION) TO ANY THIRD PARTY WITHOUT CINTEC'S SPECIFIC PERMISSION.

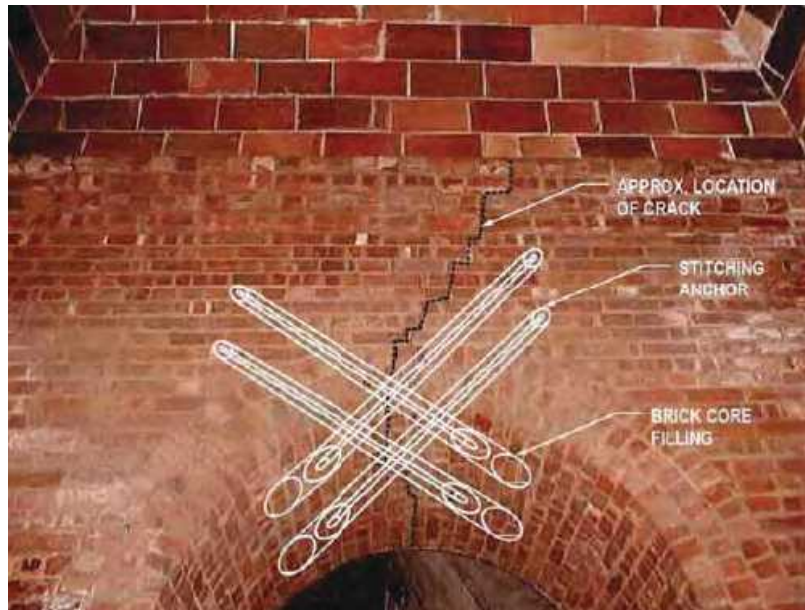


Photo 006 - Sept. 09, 2001

Case 4:

Arch stitching

Anchor specification: 5/8" Ø solid threaded stainless steel CINTEC anchors with 2" Ø sock in 2" Ø hole. Plain ends.
4 anchors per arch.



Engineered Grout Injection Anchors by:
Cintec Reinforcement Systems
Tel: 1-410-761-0765
1-613-225-3381
Fax: 1-613-224-9042
E-mail: solutions@cintec.com

Drawing Title:

ARCH STITCHING



NOTICE: THIS DRAWING (INCLUDING THE DESIGN AND THE TECHNICAL INFORMATION SHOWN HEREON) BELONGS TO AND IS THE COPYRIGHT OF CINTEC REINFORCEMENT SYSTEMS ("Cintec") AND ACCORDINGLY THE PERSON, FIRM, COMPANY OR ORGANIZATION TO WHOM THIS DRAWING HAS BEEN PROVIDED MAY NOT COPY, RE-PRODUCE OR MAKE ANY USE OF THE DRAWING (INCLUDING THE DESIGN OR ANY OF THE TECHNICAL INFORMATION SHOWN HEREON) OR SHOW OR OTHERWISE PROVIDE THE DRAWING (OR THE SAID DESIGN OR ANY OF THE TECHNICAL INFORMATION) TO ANY THIRD PARTY WITHOUT CINTEC'S SPECIFIC PERMISSION.

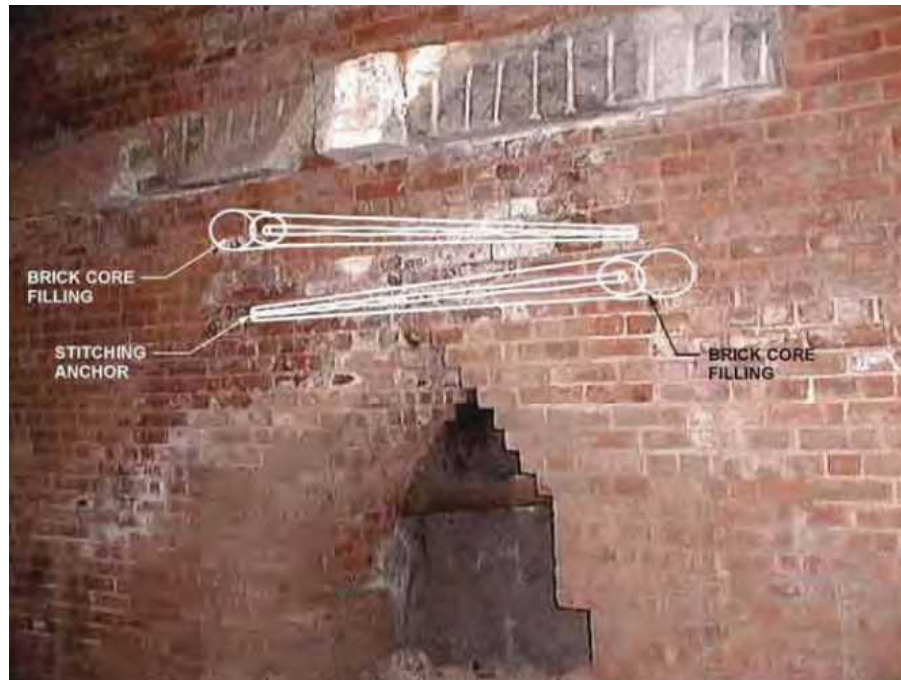


Photo 004 - Sept. 09, 2001

Case 5:

Arch Cross Stitching

Anchor specification: 5/8" Ø solid threaded stainless steel CINTEC anchors with 2" Ø sock in 2" Ø hole.

Install horizontally @ 20° to wall face.

2 or 4 anchors per arch.



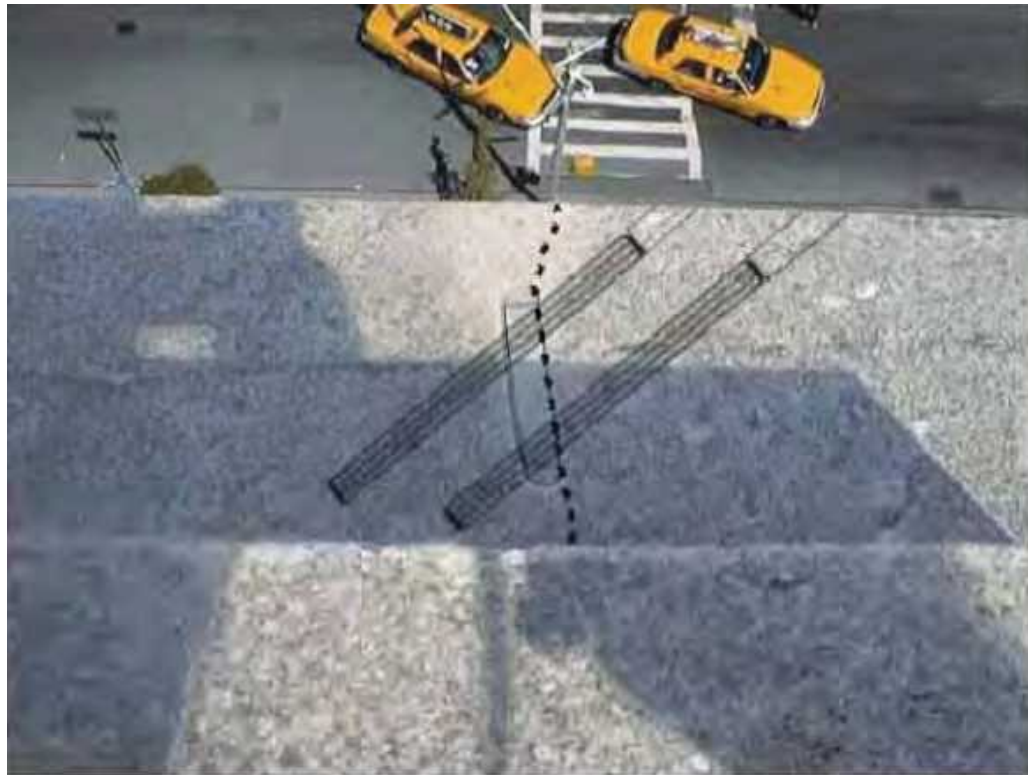
Engineered Grout Injection Anchors by:
Cintec Reinforcement Systems
Tel: 1-410-761-0765
1-613-225-3381
Fax: 1-613-224-9042
E-mail: solutions@cintec.com

Drawing Title:

ARCH CROSS STITCHING



NOTICE: THIS DRAWING (INCLUDING THE DESIGN AND THE TECHNICAL INFORMATION SHOWN HEREON) BELONGS TO AND IS THE COPYRIGHT OF CINTEC REINFORCEMENT SYSTEMS ("Cintec") AND ACCORDINGLY THE PERSON, FIRM, COMPANY OR ORGANIZATION TO WHOM THIS DRAWING HAS BEEN PROVIDED MAY NOT COPY, RE-PRODUCE OR MAKE ANY USE OF THE DRAWING (INCLUDING THE DESIGN OR ANY OF THE TECHNICAL INFORMATION SHOWN HEREON) OR SHOW OR OTHERWISE PROVIDE THE DRAWING (OR THE SAID DESIGN OR ANY OF THE TECHNICAL INFORMATION) TO ANY THIRD PARTY WITHOUT CINTEC'S SPECIFIC PERMISSION.



Case 6:

Stone Repair

Anchor specification: 3/8" Ø hollow circular stainless steel CINTEC anchors with 3/4" Ø sock in 3/4" Ø hole.
Install horizontally @ 20° to wall face.
2 anchors per crack.



Engineered Grout Injection Anchors by:
Cintec Reinforcement Systems
Tel: 1-410-761-0765
1-613-225-3381
Fax: 1-613-224-9042
E-mail: solutions@cintec.com

Drawing Title:

STONE REPAIR



**Structural Reinforcement
Anchor Systems**



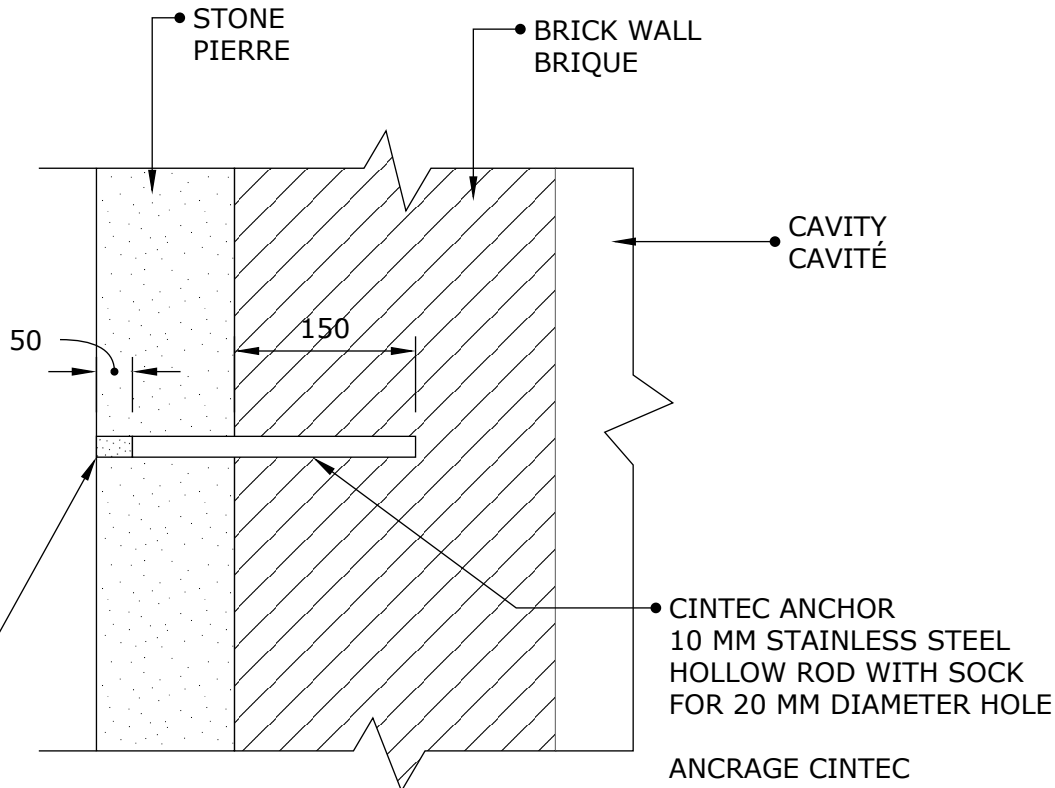
DESIGNED ANCHOR SOLUTIONS

CINTEC

REINFORCEMENT SYSTEMS

www.cintec.com

NOTICE: THIS DRAWING (INCLUDING THE DESIGN AND THE TECHNICAL INFORMATION SHOWN HEREON) BELONGS TO AND IS THE COPYRIGHT OF CINTEC REINFORCEMENT SYSTEMS ("Cintec") AND ACCORDINGLY THE PERSON, FIRM, COMPANY OR ORGANIZATION TO WHOM THIS DRAWING HAS BEEN PROVIDED MAY NOT COPY, RE-PRODUCE OR MAKE ANY USE OF THE DRAWING (INCLUDING THE DESIGN OR ANY OF THE TECHNICAL INFORMATION SHOWN HEREON) OR SHOW OR OTHERWISE PROVIDE THE DRAWING (OR THE SAID DESIGN OR ANY OF THE TECHNICAL INFORMATION) TO ANY THIRD PARTY WITHOUT CINTEC'S SPECIFIC PERMISSION.



CINTEC ANCHOR
10 MM STAINLESS STEEL
HOLLOW ROD WITH SOCK
FOR 20 MM DIAMETER HOLE

ANCRAGE CINTEC
PROFILE CIRCULAIRE CREUX DE 10 MM
EN ACIER INOXYDABLE AVEC CHAUSSETTE
POUR TROU DE 20 MM DE DIAMETRE

- RETAIN AND REINSTALL STONE PLUG USING EPOXY. KEEP EPOXY 1/2" BACK FROM FACE OF STONE AND POINT ONCE EPOXY IS SET AND CURED.

CONSERVER ET REMPLACER LE BOUCHON DE PIERRE EN UTILISANT DE L'EPOXY. GARDER L'EPOXY 1/2" DE LA SURFACE EXTERIOR DE LA PIERRE ET REJOINTER UNE FOIS QUE L'EPOXY EST COMPLETEMENT CURÉ



Engineered Grout Injection Anchors by:
Cintec Reinforcement Systems
Tel: 1-410-761-0765
1-613-225-3381
Fax: 1-613-224-9042
E-mail: solutions@cintec.com

Drawing Title:

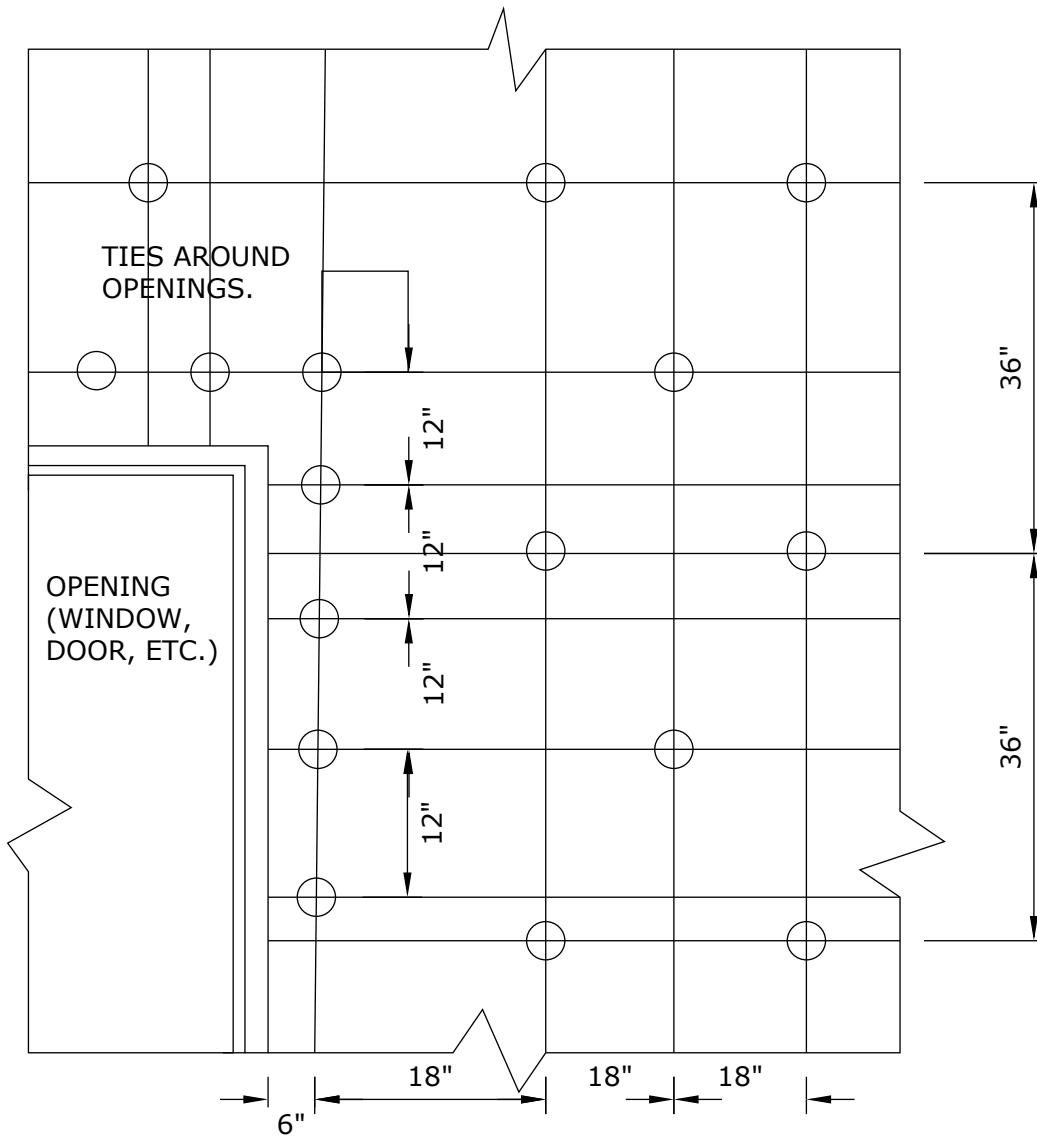
**TYPICAL ANCHOR WALL
DETAIL**

CINTEC

REINFORCEMENT SYSTEMS

www.cintec.com

NOTICE: THIS DRAWING (INCLUDING THE DESIGN AND THE TECHNICAL INFORMATION SHOWN HEREON) BELONGS TO AND IS THE COPYRIGHT OF CINTEC REINFORCEMENT SYSTEMS ("Cintec") AND ACCORDINGLY THE PERSON, FIRM, COMPANY OR ORGANIZATION TO WHOM THIS DRAWING HAS BEEN PROVIDED MAY NOT COPY, RE-PRODUCE OR MAKE ANY USE OF THE DRAWING (INCLUDING THE DESIGN OR ANY OF THE TECHNICAL INFORMATION SHOWN HEREON) OR SHOW OR OTHERWISE PROVIDE THE DRAWING (OR THE SAID DESIGN OR ANY OF THE TECHNICAL INFORMATION) TO ANY THIRD PARTY WITHOUT CINTEC'S SPECIFIC PERMISSION.



Engineered Grout Injection Anchors by:
Cintec Reinforcement Systems
Tel: 1-410-761-0765
1-613-225-3381
Fax: 1-613-224-9042
E-mail: solutions@cintec.com

Drawing Title:

WALL TIE SPACING

CINTEC

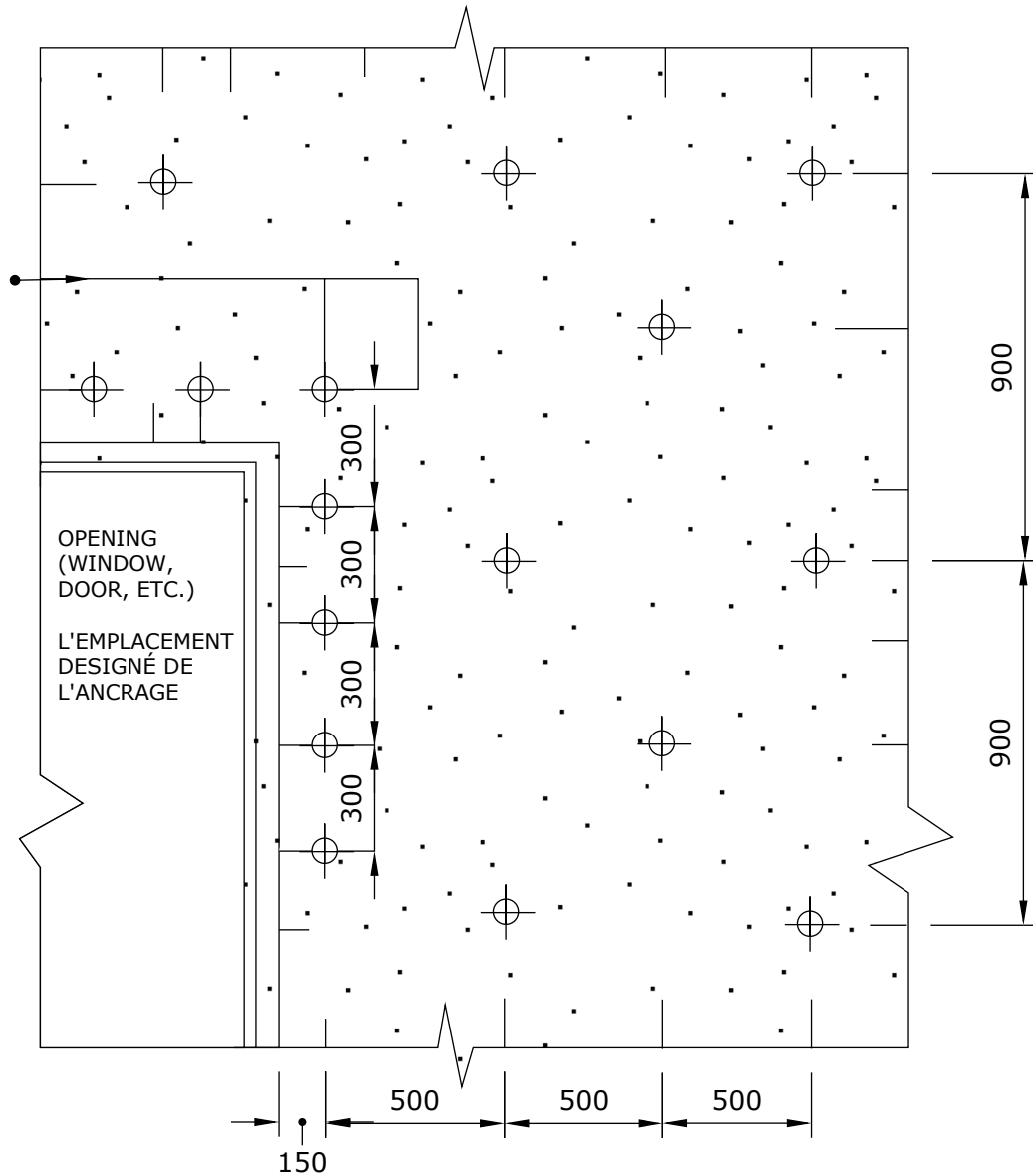
REINFORCEMENT SYSTEMS

www.cintec.com

NOTICE: THIS DRAWING (INCLUDING THE DESIGN AND THE TECHNICAL INFORMATION SHOWN HEREON) BELONGS TO AND IS THE COPYRIGHT OF CINTEC REINFORCEMENT SYSTEMS ("Cintec") AND ACCORDINGLY THE PERSON, FIRM, COMPANY OR ORGANIZATION TO WHOM THIS DRAWING HAS BEEN PROVIDED MAY NOT COPY, RE-PRODUCE OR MAKE ANY USE OF THE DRAWING (INCLUDING THE DESIGN OR ANY OF THE TECHNICAL INFORMATION SHOWN HEREON) OR SHOW OR OTHERWISE PROVIDE THE DRAWING (OR THE SAID DESIGN OR ANY OF THE TECHNICAL INFORMATION) TO ANY THIRD PARTY WITHOUT CINTEC'S SPECIFIC PERMISSION.

TIES AROUND OPENINGS

ANCRAGES AUTOUR DES OUVERTURES



Engineered Grout Injection Anchors by:
Cintec Reinforcement Systems
 Tel: 1-410-761-0765
 1-613-225-3381
 Fax: 1-613-224-9042
 E-mail: solutions@cintec.com

Drawing Title:

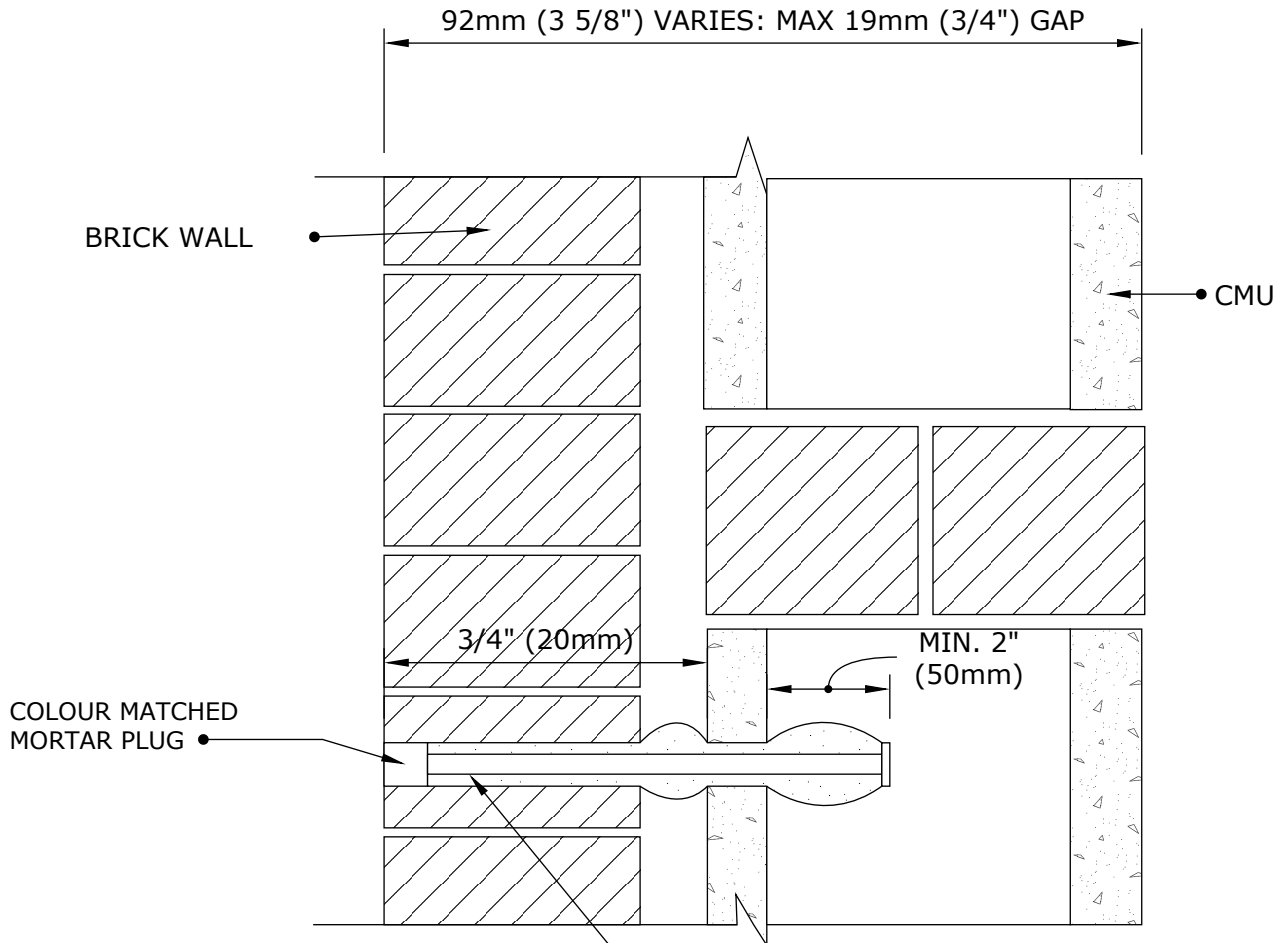
WALL TIE SPACING

CINTEC

REINFORCEMENT SYSTEMS

www.cintec.com

NOTICE: THIS DRAWING (INCLUDING THE DESIGN AND THE TECHNICAL INFORMATION SHOWN HEREON) BELONGS TO AND IS THE COPYRIGHT OF CINTEC REINFORCEMENT SYSTEMS ("Cintec") AND ACCORDINGLY THE PERSON, FIRM, COMPANY OR ORGANIZATION TO WHOM THIS DRAWING HAS BEEN PROVIDED MAY NOT COPY, RE-PRODUCE OR MAKE ANY USE OF THE DRAWING (INCLUDING THE DESIGN OR ANY OF THE TECHNICAL INFORMATION SHOWN HEREON) OR SHOW OR OTHERWISE PROVIDE THE DRAWING (OR THE SAID DESIGN OR ANY OF THE TECHNICAL INFORMATION) TO ANY THIRD PARTY WITHOUT CINTEC'S SPECIFIC PERMISSION.



ANCHOR:

- 10x1 CHS TYPE RAC WALL TIE
- OVERSIZED SOCK IN 19mm (3/4") HOLE

NOTES:

1. WALL TIE ANCHOR TO BE INSTALLED IN DIAMOND PATTERN WITH 600mm VERTICAL SPACING AND 1000mm HORIZONTAL SPACING.
2. TOTAL ANCHOR LENGTH TO BE CONFIRMED BY CLIENT.



Engineered Grout Injection Anchors by:
Cintec Reinforcement Systems
Tel: 1-410-761-0765
1-613-225-3381
Fax: 1-613-224-9042
E-mail: solutions@cintec.com

Drawing Title:

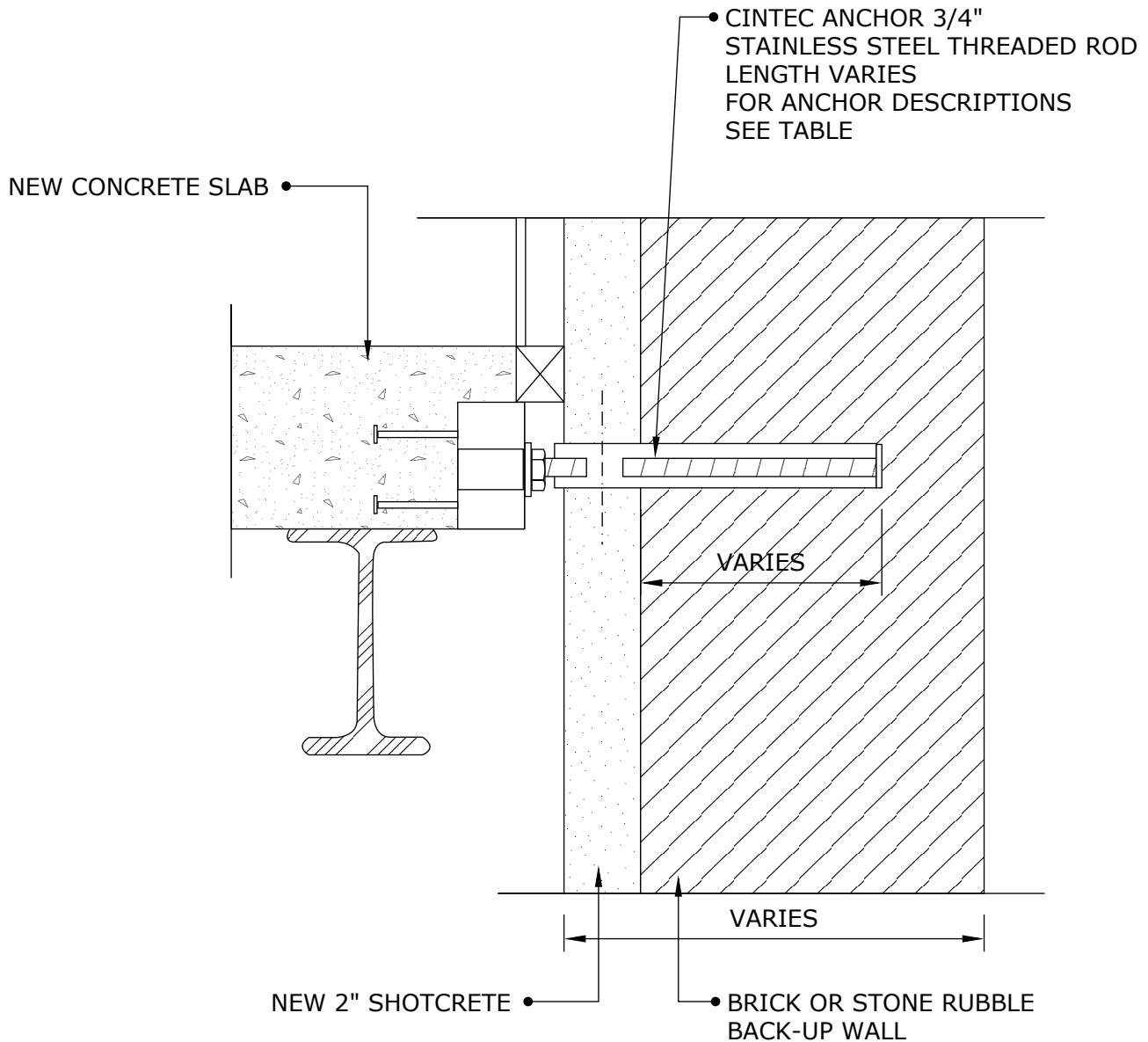
**MASONRY
STABILIZATION WALL
TIE ANCHOR**

CINTEC

REINFORCEMENT SYSTEMS

www.cintec.com

NOTICE: THIS DRAWING (INCLUDING THE DESIGN AND THE TECHNICAL INFORMATION SHOWN HEREON) BELONGS TO AND IS THE COPYRIGHT OF CINTEC REINFORCEMENT SYSTEMS ("Cintec") AND ACCORDINGLY THE PERSON, FIRM, COMPANY OR ORGANIZATION TO WHOM THIS DRAWING HAS BEEN PROVIDED MAY NOT COPY, RE-PRODUCE OR MAKE ANY USE OF THE DRAWING (INCLUDING THE DESIGN OR ANY OF THE TECHNICAL INFORMATION SHOWN HEREON) OR SHOW OR OTHERWISE PROVIDE THE DRAWING (OR THE SAID DESIGN OR ANY OF THE TECHNICAL INFORMATION) TO ANY THIRD PARTY WITHOUT CINTEC'S SPECIFIC PERMISSION.



Engineered Grout Injection Anchors by:
Cintec Reinforcement Systems
Tel: 1-410-761-0765
1-613-225-3381
Fax: 1-613-224-9042
E-mail: solutions@cintec.com

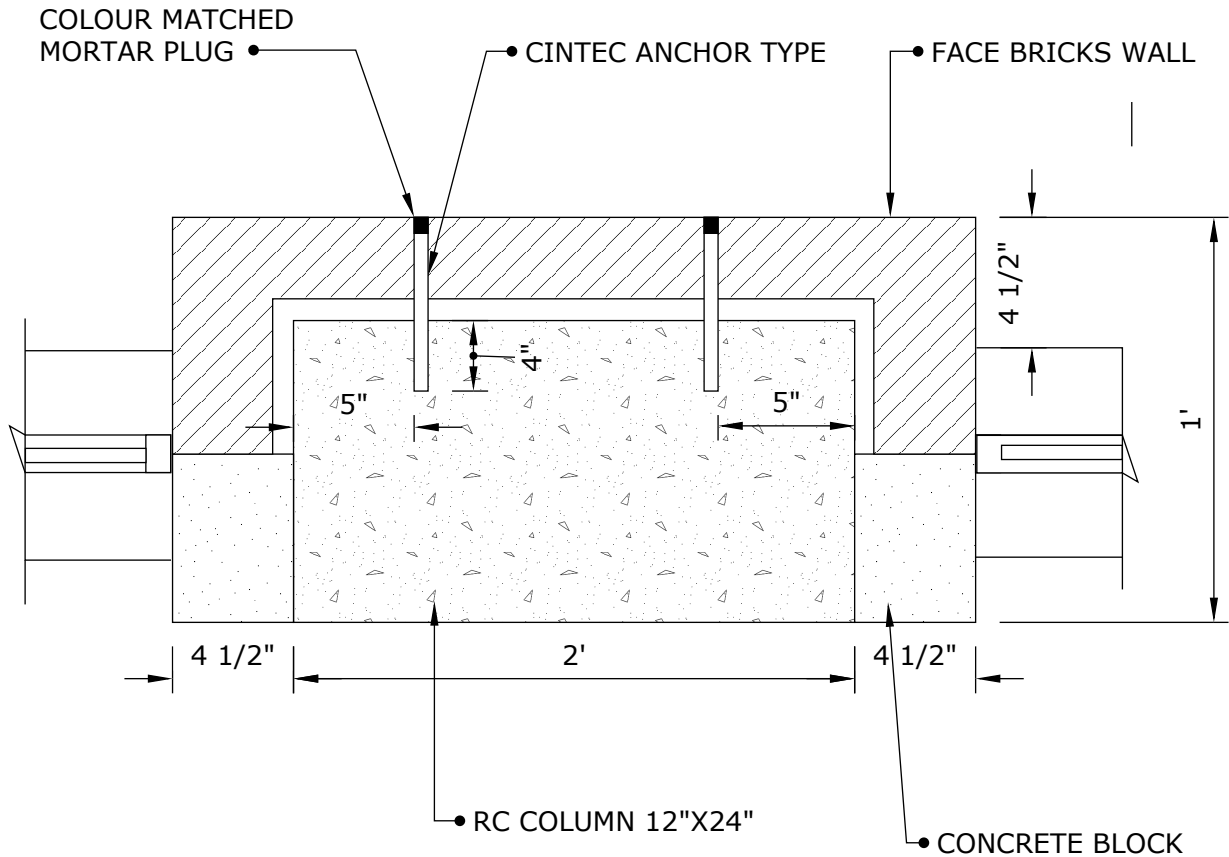
Drawing Title:
**TYPICAL ANCHOR
DETAIL TO TIE NEW
FLOOR TO EXISTING
WALL**

CINTEC

REINFORCEMENT SYSTEMS

www.cintec.com

NOTICE: THIS DRAWING (INCLUDING THE DESIGN AND THE TECHNICAL INFORMATION SHOWN HEREON) BELONGS TO AND IS THE COPYRIGHT OF CINTEC REINFORCEMENT SYSTEMS ("Cintec") AND ACCORDINGLY THE PERSON, FIRM, COMPANY OR ORGANIZATION TO WHOM THIS DRAWING HAS BEEN PROVIDED MAY NOT COPY, RE-PRODUCE OR MAKE ANY USE OF THE DRAWING (INCLUDING THE DESIGN OR ANY OF THE TECHNICAL INFORMATION SHOWN HEREON) OR SHOW OR OTHERWISE PROVIDE THE DRAWING (OR THE SAID DESIGN OR ANY OF THE TECHNICAL INFORMATION) TO ANY THIRD PARTY WITHOUT CINTEC'S SPECIFIC PERMISSION.



CINTEC ANCHOR:

- 10x1 mm STAINLESS STEEL WALL TIE
- SOCK TO FIT 3/4" DIA. HOLE
- MINIMUM EMBEDMENT LENGTH IN SOLID CONCRETE 4"
- CLIENT TO CHECK TOTAL ANCHOR LENGTH PRIOR TO ORDERING
- FILL EXTERNAL FACE WITH COLOR MATCHED MORTAR PLUG



Engineered Grout Injection Anchors by:
Cintec Reinforcement Systems
Tel: 1-410-761-0765
1-613-225-3381
Fax: 1-613-224-9042
E-mail: solutions@cintec.com

Drawing Title:

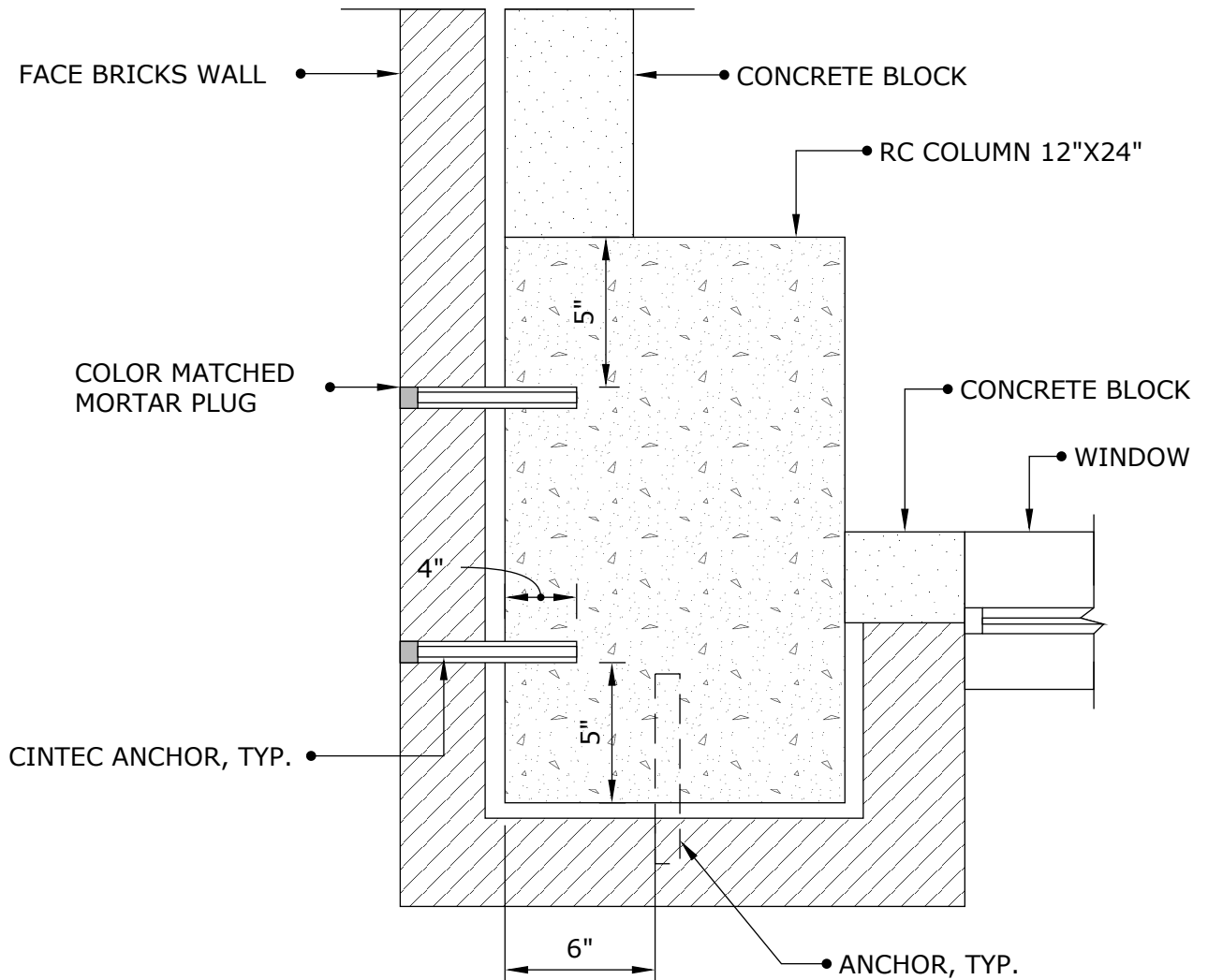
**WALL TIE ANCHOR
TYPICAL COLUMN
SECTION**

CINTEC

REINFORCEMENT SYSTEMS

www.cintec.com

NOTICE: THIS DRAWING (INCLUDING THE DESIGN AND THE TECHNICAL INFORMATION SHOWN HEREON) BELONGS TO AND IS THE COPYRIGHT OF CINTEC REINFORCEMENT SYSTEMS ("Cintec") AND ACCORDINGLY THE PERSON, FIRM, COMPANY OR ORGANIZATION TO WHOM THIS DRAWING HAS BEEN PROVIDED MAY NOT COPY, RE-PRODUCE OR MAKE ANY USE OF THE DRAWING (INCLUDING THE DESIGN OR ANY OF THE TECHNICAL INFORMATION SHOWN HEREON) OR SHOW OR OTHERWISE PROVIDE THE DRAWING (OR THE SAID DESIGN OR ANY OF THE TECHNICAL INFORMATION) TO ANY THIRD PARTY WITHOUT CINTEC'S SPECIFIC PERMISSION.



CINTEC ANCHOR:

- 10x1 mm STAINLESS STEEL WALL TIE
- SOCK TO FIT 3/4" DIA. HOLE
- MINIMUM EMBEDMENT LENGTH IN SOLID CONCRETE 4"
- CLIENT TO CHECK TOTAL ANCHOR LENGTH PRIOR TO ORDERING
- FILL EXTERNAL FACE WITH COLOR MATCHED MORTAR PLUG



Engineered Grout Injection Anchors by:
Cintec Reinforcement Systems
Tel: 1-410-761-0765
1-613-225-3381
Fax: 1-613-224-9042
E-mail: solutions@cintec.com

Drawing Title:

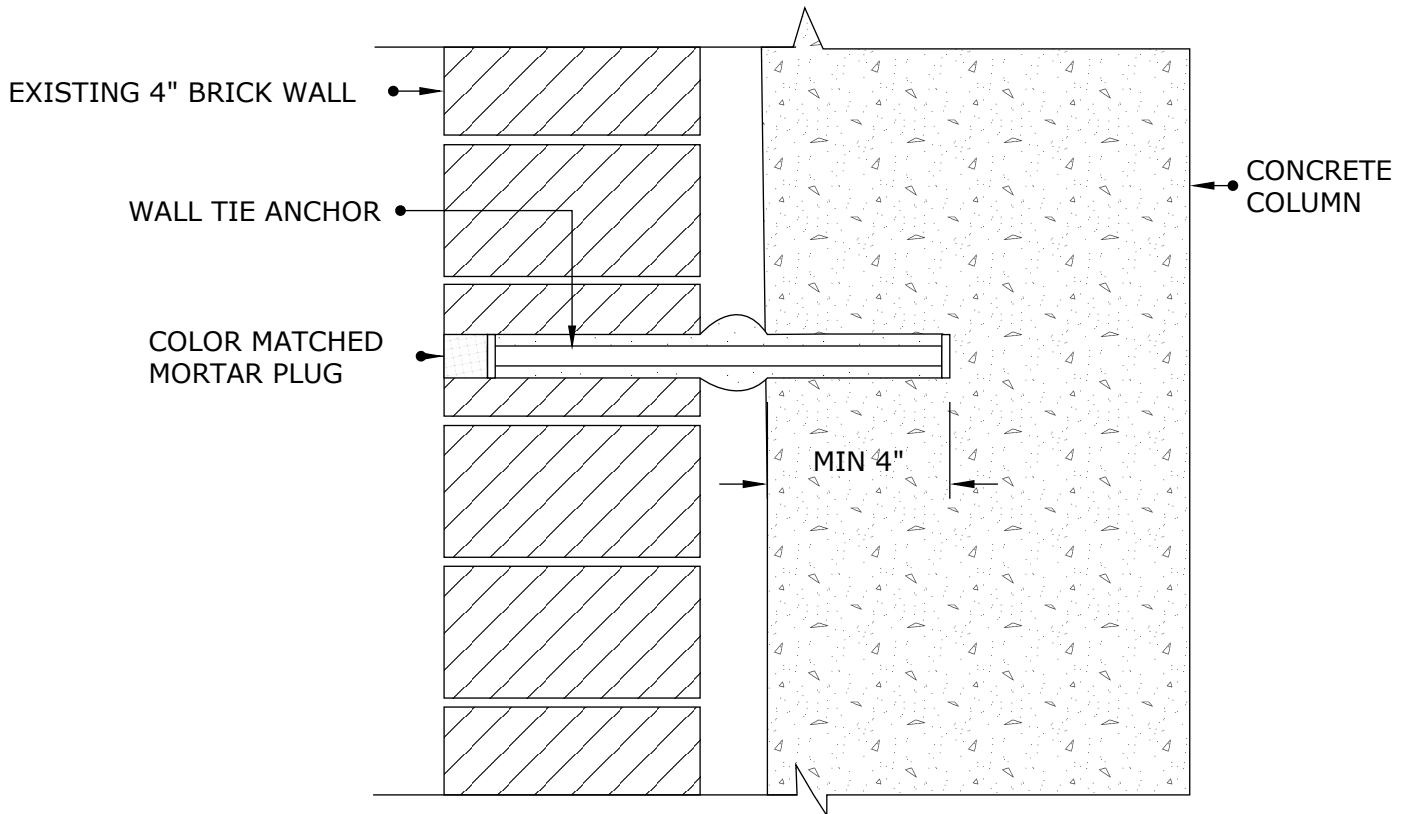
**WALL TIE ANCHOR
CORNER COLUMN
SECTION**

CINTEC

REINFORCEMENT SYSTEMS

www.cintec.com

NOTICE: THIS DRAWING (INCLUDING THE DESIGN AND THE TECHNICAL INFORMATION SHOWN HEREON) BELONGS TO AND IS THE COPYRIGHT OF CINTEC REINFORCEMENT SYSTEMS ("Cintec") AND ACCORDINGLY THE PERSON, FIRM, COMPANY OR ORGANIZATION TO WHOM THIS DRAWING HAS BEEN PROVIDED MAY NOT COPY, RE-PRODUCE OR MAKE ANY USE OF THE DRAWING (INCLUDING THE DESIGN OR ANY OF THE TECHNICAL INFORMATION SHOWN HEREON) OR SHOW OR OTHERWISE PROVIDE THE DRAWING (OR THE SAID DESIGN OR ANY OF THE TECHNICAL INFORMATION) TO ANY THIRD PARTY WITHOUT CINTEC'S SPECIFIC PERMISSION.



CINTEC ANCHOR:

- 10x1 mm STAINLESS STEEL WALL TIE, IN DIAMOND PAT
- SOCK TO FIT 3/4" DIA. HOLE
- MINIMUM EMBEDMENT LENGTH IN SOLID CONCRETE 4"
- CLIENT TO CHECK TOTAL ANCHOR LENGTH PRIOR TO ORDERING
- FILL EXTERNAL FACE WITH COLOR MATCHED MORTAR PLUG



Engineered Grout Injection Anchors by:
Cintec Reinforcement Systems
Tel: 1-410-761-0765
1-613-225-3381
Fax: 1-613-224-9042
E-mail: solutions@cintec.com

Drawing Title:

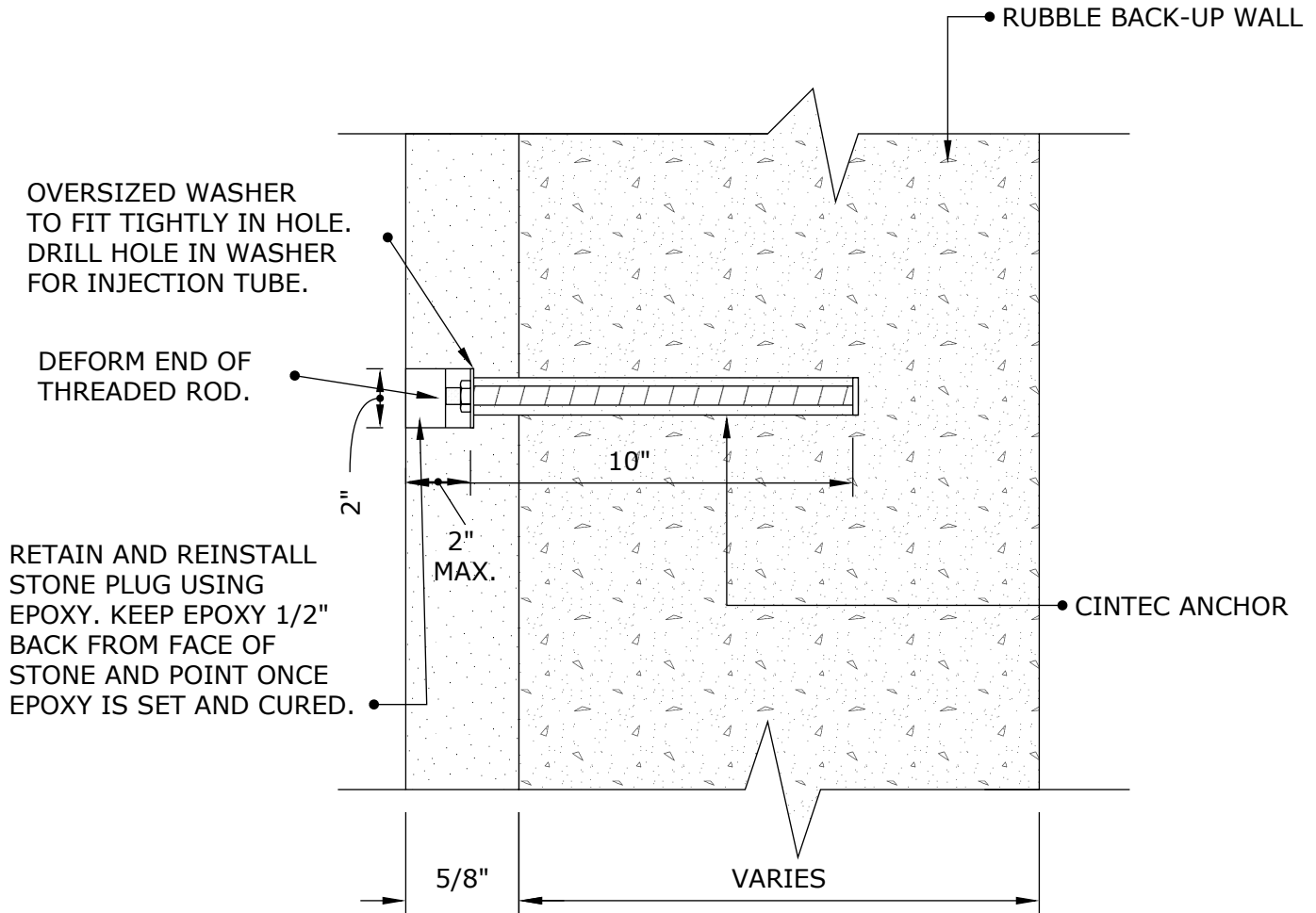
**WALL TIE ANCHOR
BRICK STABILIZATION**

CINTEC

REINFORCEMENT SYSTEMS

www.cintec.com

NOTICE: THIS DRAWING (INCLUDING THE DESIGN AND THE TECHNICAL INFORMATION SHOWN HEREON) BELONGS TO AND IS THE COPYRIGHT OF CINTEC REINFORCEMENT SYSTEMS ("Cintec") AND ACCORDINGLY THE PERSON, FIRM, COMPANY OR ORGANIZATION TO WHOM THIS DRAWING HAS BEEN PROVIDED MAY NOT COPY, RE-PRODUCE OR MAKE ANY USE OF THE DRAWING (INCLUDING THE DESIGN OR ANY OF THE TECHNICAL INFORMATION SHOWN HEREON) OR SHOW OR OTHERWISE PROVIDE THE DRAWING (OR THE SAID DESIGN OR ANY OF THE TECHNICAL INFORMATION) TO ANY THIRD PARTY WITHOUT CINTEC'S SPECIFIC PERMISSION.



NOTES:

1. CLIENT TO CHECK TOTAL ANCHOR LENGTH PRIOR TO ORDERING.



Engineered Grout Injection Anchors by:
Cintec Reinforcement Systems
Tel: 1-410-761-0765
1-613-225-3381
Fax: 1-613-224-9042
E-mail: solutions@cintec.com

Drawing Title:

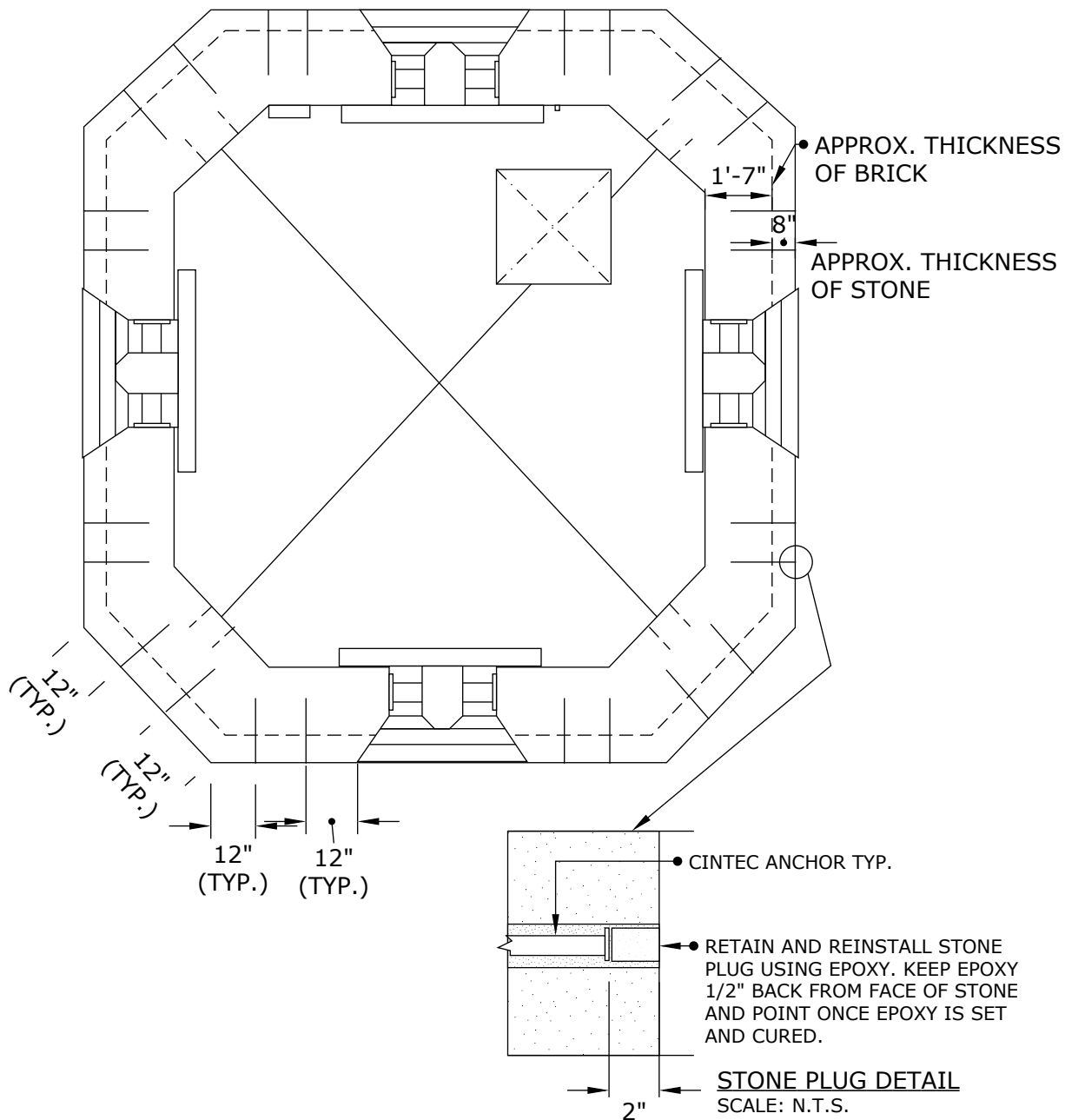
**WALL TIE ANCHOR
BRICK STABILIZATION**

CINTEC

REINFORCEMENT SYSTEMS

www.cintec.com

NOTICE: THIS DRAWING (INCLUDING THE DESIGN AND THE TECHNICAL INFORMATION SHOWN HEREON) BELONGS TO AND IS THE COPYRIGHT OF CINTEC REINFORCEMENT SYSTEMS ("Cintec") AND ACCORDINGLY THE PERSON, FIRM, COMPANY OR ORGANIZATION TO WHOM THIS DRAWING HAS BEEN PROVIDED MAY NOT COPY, RE-PRODUCE OR MAKE ANY USE OF THE DRAWING (INCLUDING THE DESIGN OR ANY OF THE TECHNICAL INFORMATION SHOWN HEREON) OR SHOW OR OTHERWISE PROVIDE THE DRAWING (OR THE SAID DESIGN OR ANY OF THE TECHNICAL INFORMATION) TO ANY THIRD PARTY WITHOUT CINTEC'S SPECIFIC PERMISSION.



Engineered Grout Injection Anchors by:
Cintec Reinforcement Systems
 Tel: 1-410-761-0765
 1-613-225-3381
 Fax: 1-613-224-9042
 E-mail: solutions@cintec.com

Drawing Title:

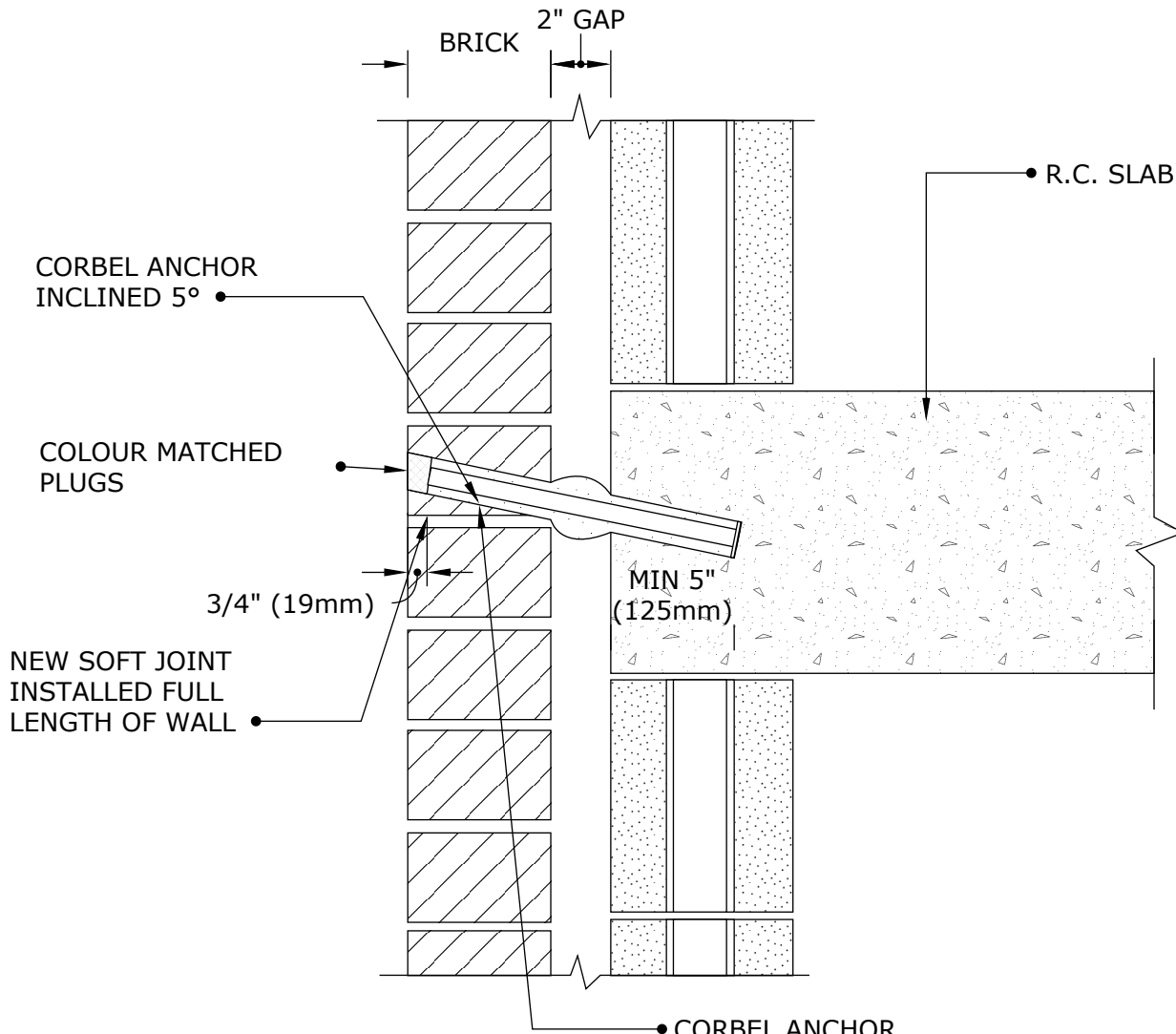
**TOWER REPAIRS WALL
 TIE ANCHOR PLAN AT
 BELFRY LEVEL**

CINTEC

REINFORCEMENT SYSTEMS

www.cintec.com

NOTICE: THIS DRAWING (INCLUDING THE DESIGN AND THE TECHNICAL INFORMATION SHOWN HEREON) BELONGS TO AND IS THE COPYRIGHT OF CINTEC REINFORCEMENT SYSTEMS ("Cintec") AND ACCORDINGLY THE PERSON, FIRM, COMPANY OR ORGANIZATION TO WHOM THIS DRAWING HAS BEEN PROVIDED MAY NOT COPY, RE-PRODUCE OR MAKE ANY USE OF THE DRAWING (INCLUDING THE DESIGN OR ANY OF THE TECHNICAL INFORMATION SHOWN HEREON) OR SHOW OR OTHERWISE PROVIDE THE DRAWING (OR THE SAID DESIGN OR ANY OF THE TECHNICAL INFORMATION) TO ANY THIRD PARTY WITHOUT CINTEC'S SPECIFIC PERMISSION.



NOTES:

1. ANCHORS TO BE INSTALLED @ 18" O/C AT EACH FLOOR LEVEL.
2. AT 18" O/C SPACING, 2 ANCHORS SHOULD BE INSTALLED BETWEEN EACH OF THE EXISTING 6" CLIP ANGELS.

- CORBEL ANCHOR
 - 1" (25mm) DIA. STAINLESS STEEL ROD
 - SOCK TO FIT 2" (50mm) DIA. HOLE
 - ANCHOR LENGTH WILL BE DETERMINED IN FIELD
 - SPACING OF ANCHORS 18" (450mm)



Engineered Grout Injection Anchors by:
Cintec Reinforcement Systems
 Tel: 1-410-761-0765
 1-613-225-3381
 Fax: 1-613-224-9042
 E-mail: solutions@cintec.com

Drawing Title:

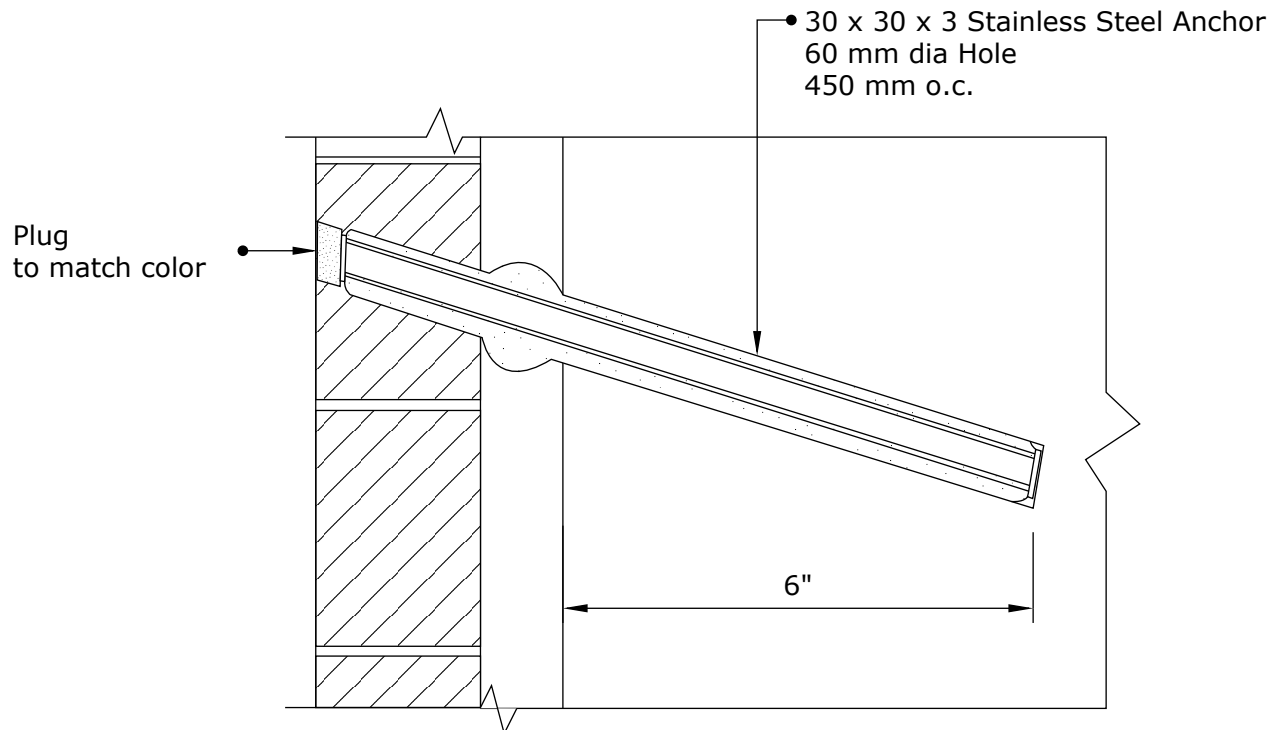
CORBEL ANCHOR

CINTEC

REINFORCEMENT SYSTEMS

www.cintec.com

NOTICE: THIS DRAWING (INCLUDING THE DESIGN AND THE TECHNICAL INFORMATION SHOWN HEREON) BELONGS TO AND IS THE COPYRIGHT OF CINTEC REINFORCEMENT SYSTEMS ("Cintec") AND ACCORDINGLY THE PERSON, FIRM, COMPANY OR ORGANIZATION TO WHOM THIS DRAWING HAS BEEN PROVIDED MAY NOT COPY, RE-PRODUCE OR MAKE ANY USE OF THE DRAWING (INCLUDING THE DESIGN OR ANY OF THE TECHNICAL INFORMATION SHOWN HEREON) OR SHOW OR OTHERWISE PROVIDE THE DRAWING (OR THE SAID DESIGN OR ANY OF THE TECHNICAL INFORMATION) TO ANY THIRD PARTY WITHOUT CINTEC'S SPECIFIC PERMISSION.



NOTES:

Schematic Drawing Only



Engineered Grout Injection Anchors by:
Cintec Reinforcement Systems
Tel: 1-410-761-0765
1-613-225-3381
Fax: 1-613-224-9042
E-mail: solutions@cintec.com

Drawing Title:

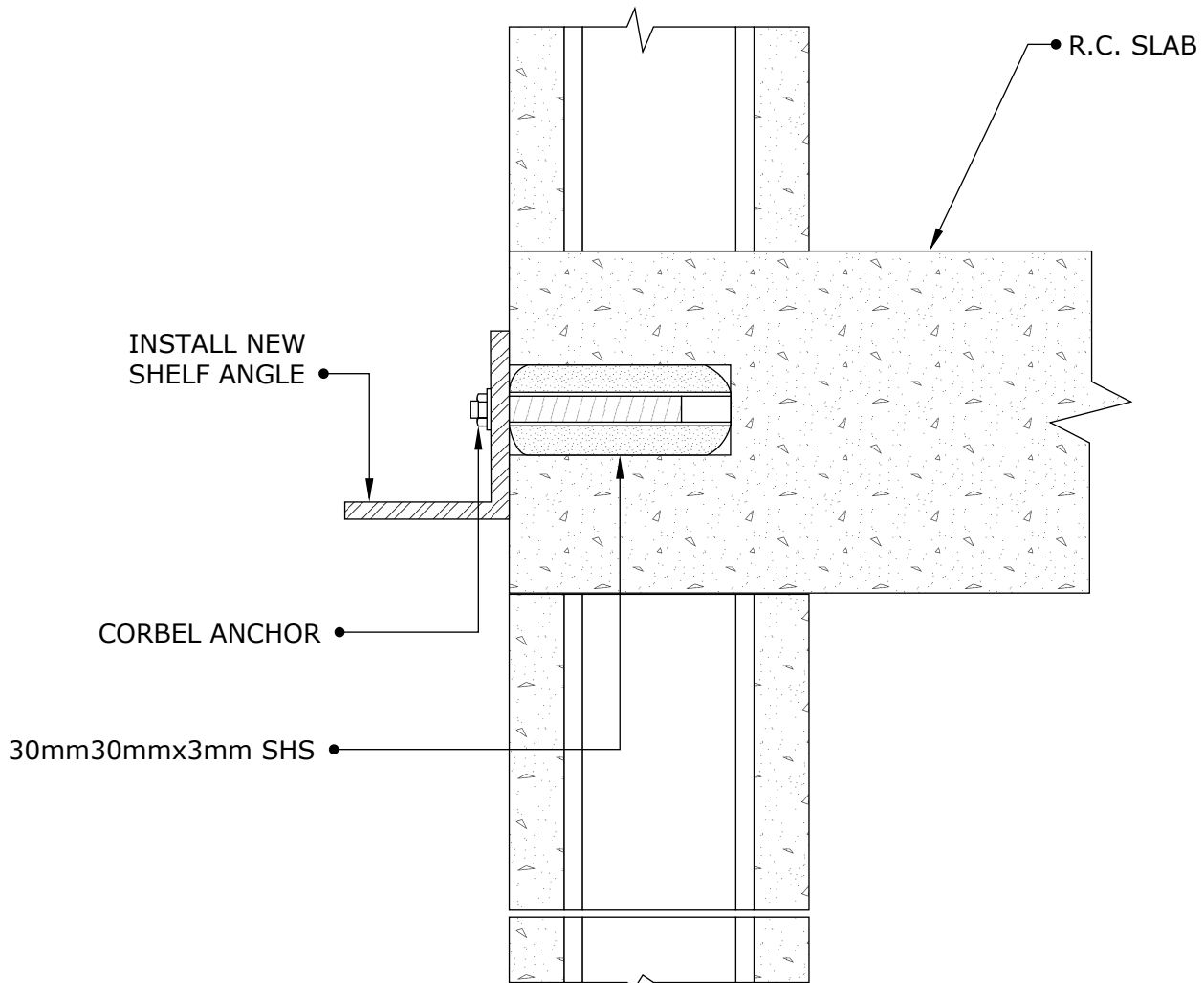
CORBEL ANCHOR DETAIL

CINTEC

REINFORCEMENT SYSTEMS

www.cintec.com

NOTICE: THIS DRAWING (INCLUDING THE DESIGN AND THE TECHNICAL INFORMATION SHOWN HEREON) BELONGS TO AND IS THE COPYRIGHT OF CINTEC REINFORCEMENT SYSTEMS ("Cintec") AND ACCORDINGLY THE PERSON, FIRM, COMPANY OR ORGANIZATION TO WHOM THIS DRAWING HAS BEEN PROVIDED MAY NOT COPY, RE-PRODUCE OR MAKE ANY USE OF THE DRAWING (INCLUDING THE DESIGN OR ANY OF THE TECHNICAL INFORMATION SHOWN HEREON) OR SHOW OR OTHERWISE PROVIDE THE DRAWING (OR THE SAID DESIGN OR ANY OF THE TECHNICAL INFORMATION) TO ANY THIRD PARTY WITHOUT CINTEC'S SPECIFIC PERMISSION.



Engineered Grout Injection Anchors by:
Cintec Reinforcement Systems
Tel: 1-410-761-0765
1-613-225-3381
Fax: 1-613-224-9042
E-mail: solutions@cintec.com

Drawing Title:

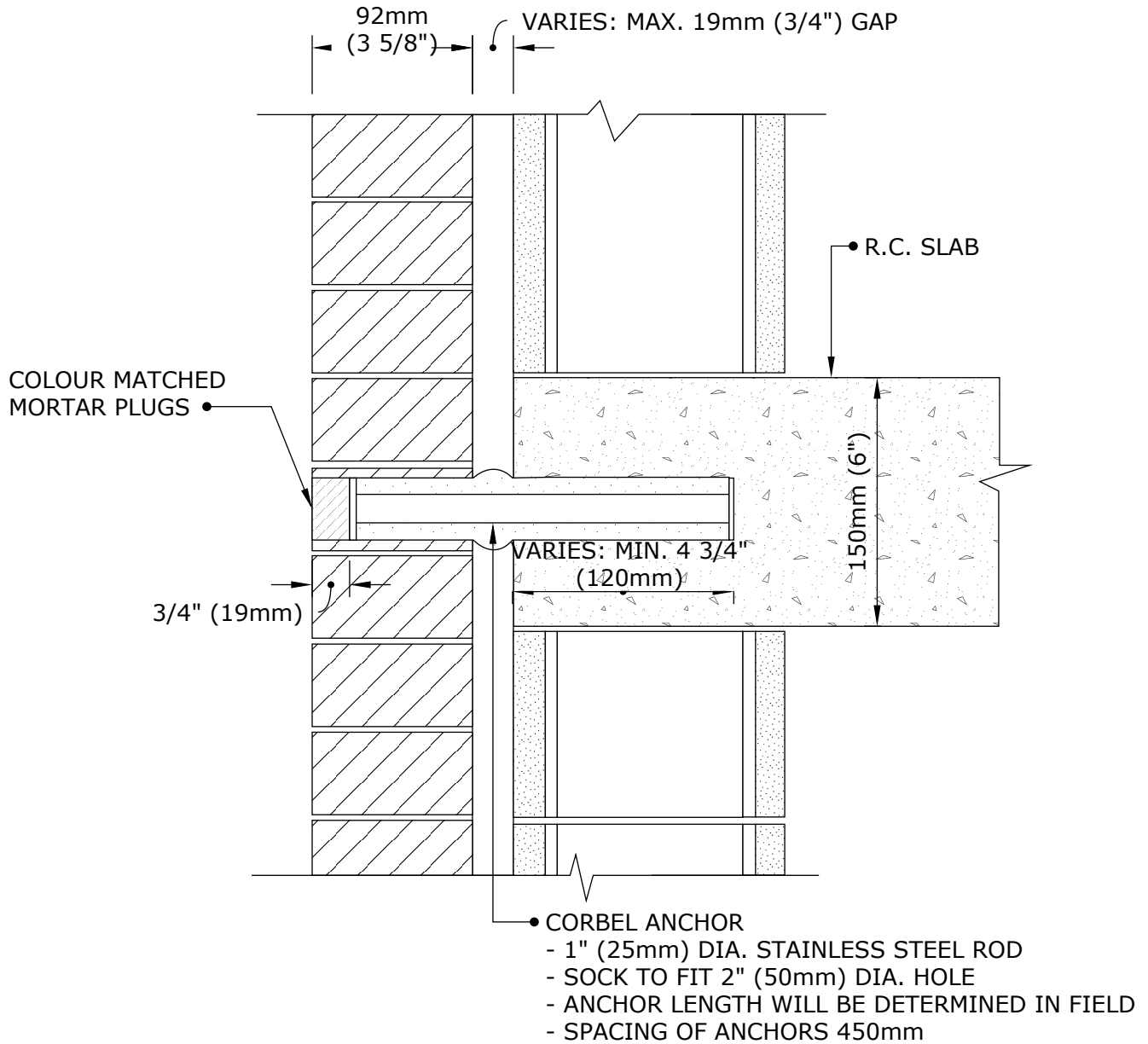
CORBEL ANCHOR

CINTEC

REINFORCEMENT SYSTEMS

www.cintec.com

NOTICE: THIS DRAWING (INCLUDING THE DESIGN AND THE TECHNICAL INFORMATION SHOWN HEREON) BELONGS TO AND IS THE COPYRIGHT OF CINTEC REINFORCEMENT SYSTEMS ("Cintec") AND ACCORDINGLY THE PERSON, FIRM, COMPANY OR ORGANIZATION TO WHOM THIS DRAWING HAS BEEN PROVIDED MAY NOT COPY, RE-PRODUCE OR MAKE ANY USE OF THE DRAWING (INCLUDING THE DESIGN OR ANY OF THE TECHNICAL INFORMATION SHOWN HEREON) OR SHOW OR OTHERWISE PROVIDE THE DRAWING (OR THE SAID DESIGN OR ANY OF THE TECHNICAL INFORMATION) TO ANY THIRD PARTY WITHOUT CINTEC'S SPECIFIC PERMISSION.



Engineered Grout Injection Anchors by:
Cintec Reinforcement Systems
 Tel: 1-410-761-0765
 1-613-225-3381
 Fax: 1-613-224-9042
 E-mail: solutions@cintec.com

Drawing Title:

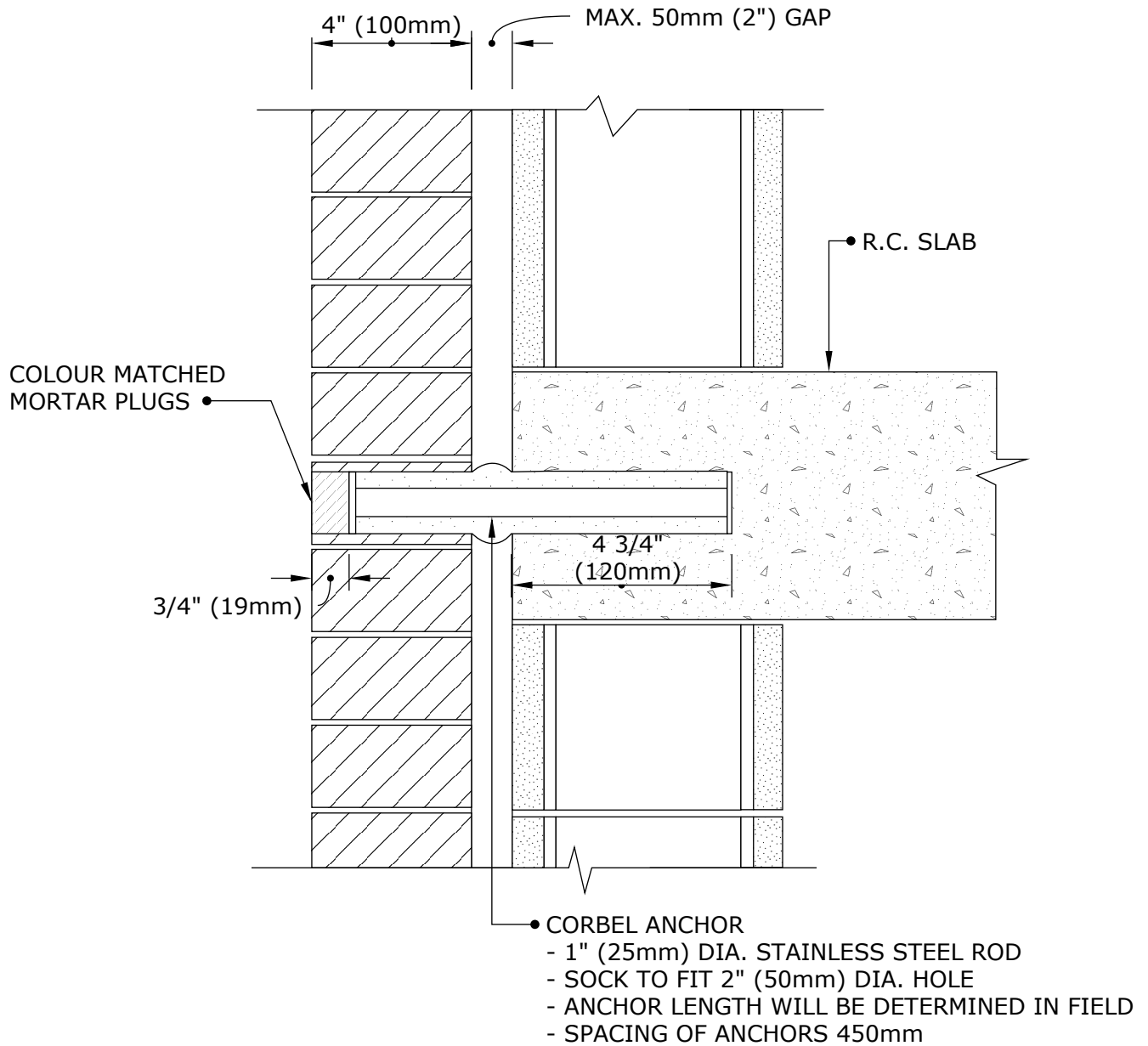
CORBEL ANCHOR

CINTEC

REINFORCEMENT SYSTEMS

www.cintec.com

NOTICE: THIS DRAWING (INCLUDING THE DESIGN AND THE TECHNICAL INFORMATION SHOWN HEREON) BELONGS TO AND IS THE COPYRIGHT OF CINTEC REINFORCEMENT SYSTEMS ("Cintec") AND ACCORDINGLY THE PERSON, FIRM, COMPANY OR ORGANIZATION TO WHOM THIS DRAWING HAS BEEN PROVIDED MAY NOT COPY, RE-PRODUCE OR MAKE ANY USE OF THE DRAWING (INCLUDING THE DESIGN OR ANY OF THE TECHNICAL INFORMATION SHOWN HEREON) OR SHOW OR OTHERWISE PROVIDE THE DRAWING (OR THE SAID DESIGN OR ANY OF THE TECHNICAL INFORMATION) TO ANY THIRD PARTY WITHOUT CINTEC'S SPECIFIC PERMISSION.



Engineered Grout Injection Anchors by:
Cintec Reinforcement Systems
Tel: 1-410-761-0765
1-613-225-3381
Fax: 1-613-224-9042
E-mail: solutions@cintec.com

Drawing Title:

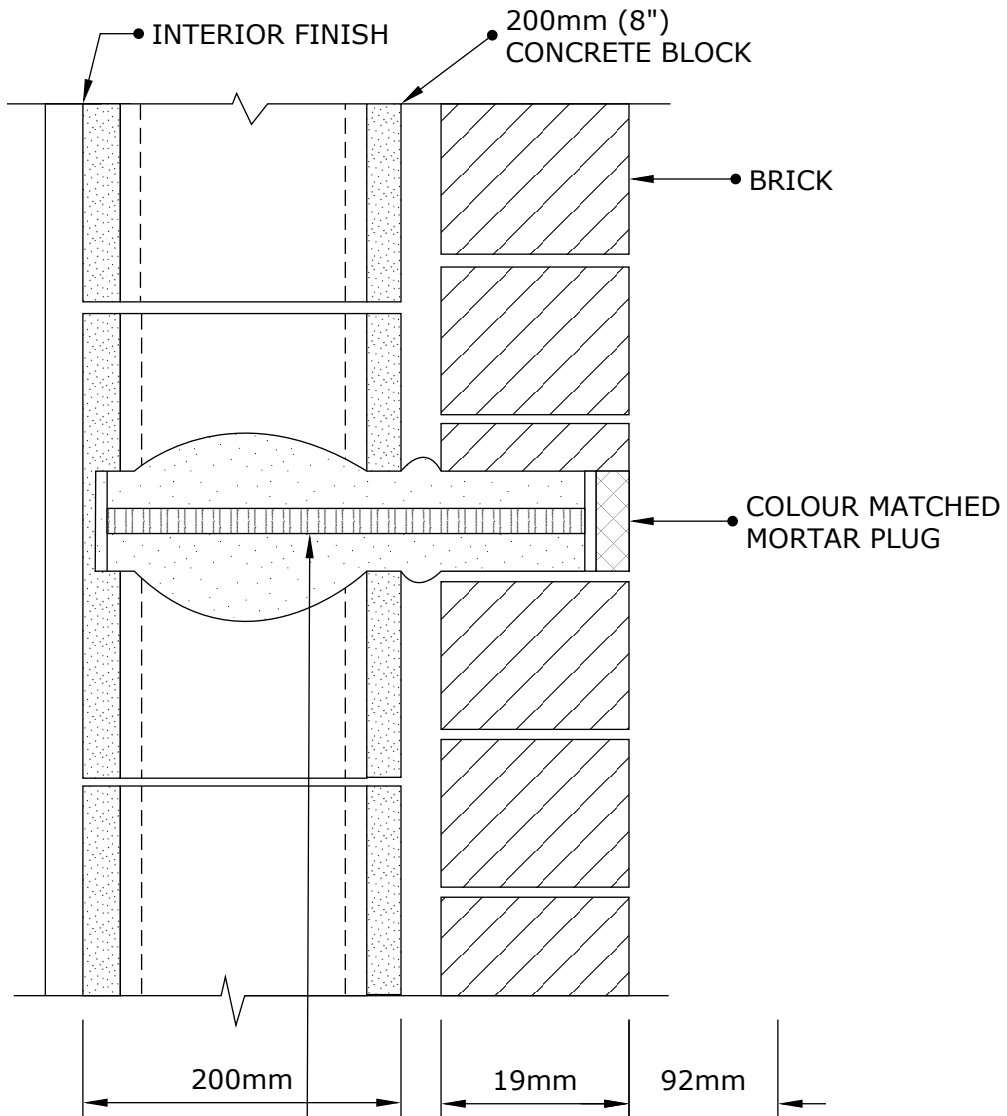
CORBEL ANCHOR

CINTEC

REINFORCEMENT SYSTEMS

www.cintec.com

NOTICE: THIS DRAWING (INCLUDING THE DESIGN AND THE TECHNICAL INFORMATION SHOWN HEREON) BELONGS TO AND IS THE COPYRIGHT OF CINTEC REINFORCEMENT SYSTEMS ("Cintec") AND ACCORDINGLY THE PERSON, FIRM, COMPANY OR ORGANIZATION TO WHOM THIS DRAWING HAS BEEN PROVIDED MAY NOT COPY, RE-PRODUCE OR MAKE ANY USE OF THE DRAWING (INCLUDING THE DESIGN OR ANY OF THE TECHNICAL INFORMATION SHOWN HEREON) OR SHOW OR OTHERWISE PROVIDE THE DRAWING (OR THE SAID DESIGN OR ANY OF THE TECHNICAL INFORMATION) TO ANY THIRD PARTY WITHOUT CINTEC'S SPECIFIC PERMISSION.



- SUPPORT ANCHORS AT BOTTOM OF PANEL:
 - 25mmØ STAINLESS STEEL THREADED ROD
 - OVERSIZED SPCL OM 50mmØ HOLE
 - SOCKED LENGTH 275mm
 - SPACING OF ANCHORS = 450mm (18")

CINTEC
REINFORCEMENT SYSTEMS
www.cintec.com

Engineered Grout Injection Anchors by:
Cintec Reinforcement Systems
Tel: 1-410-761-0765
1-613-225-3381
Fax: 1-613-224-9042
E-mail: solutions@cintec.com

Drawing Title:

**MASONRY
STABILIZATION
CORBEL ANCHOR**

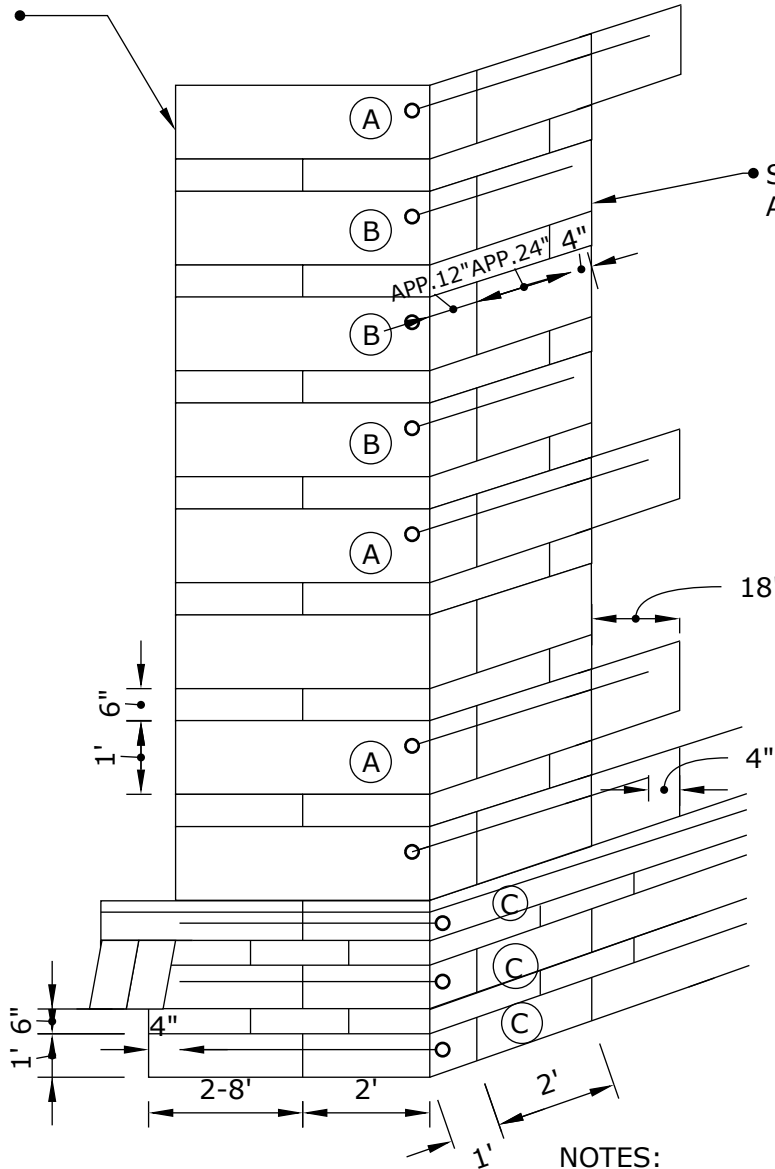
CINTEC

REINFORCEMENT SYSTEMS

www.cintec.com

NOTICE: THIS DRAWING (INCLUDING THE DESIGN AND THE TECHNICAL INFORMATION SHOWN HEREON) BELONGS TO AND IS THE COPYRIGHT OF CINTEC REINFORCEMENT SYSTEMS ("Cintec") AND ACCORDINGLY THE PERSON, FIRM, COMPANY OR ORGANIZATION TO WHOM THIS DRAWING HAS BEEN PROVIDED MAY NOT COPY, RE-PRODUCE OR MAKE ANY USE OF THE DRAWING (INCLUDING THE DESIGN OR ANY OF THE TECHNICAL INFORMATION SHOWN HEREON) OR SHOW OR OTHERWISE PROVIDE THE DRAWING (OR THE SAID DESIGN OR ANY OF THE TECHNICAL INFORMATION) TO ANY THIRD PARTY WITHOUT CINTEC'S SPECIFIC PERMISSION.

STACKED JOINT AT PILASTER



STACKED JOINT AT PILASTER

NOTES:
FOR CINTEC ANCHOR TYPE (A) (B) (C)
SEE DRAWING (D/A?)



Engineered Grout Injection Anchors by:
Cintec Reinforcement Systems
Tel: 1-410-761-0765
1-613-225-3381
Fax: 1-613-224-9042
E-mail: solutions@cintec.com

Drawing Title:

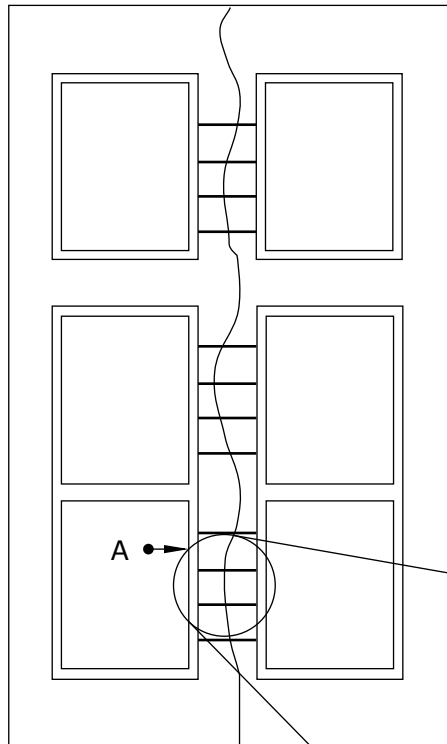
CORNER STITCHING ANCHOR LAYOUT

CINTEC

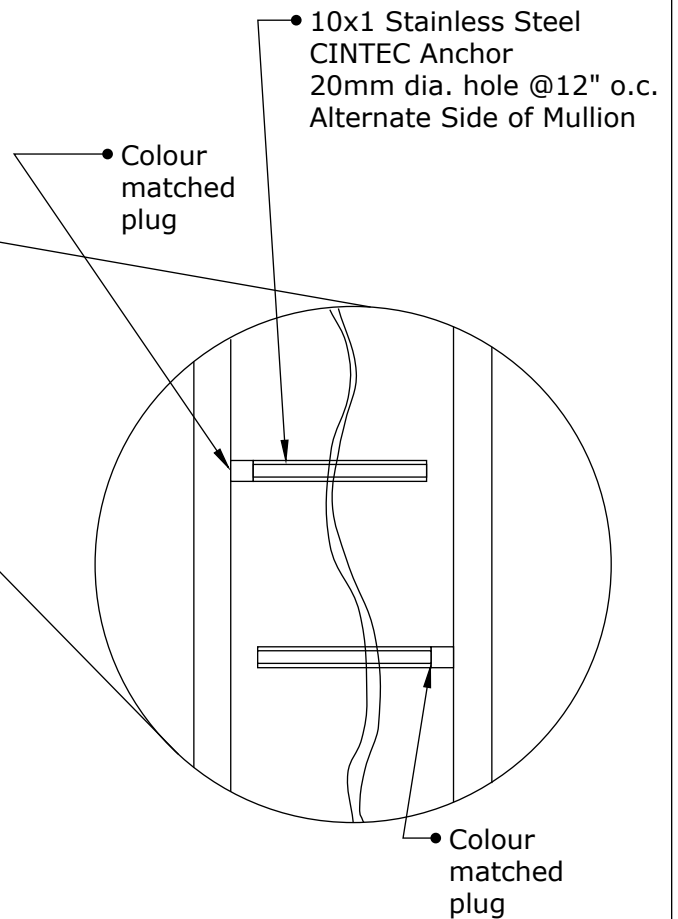
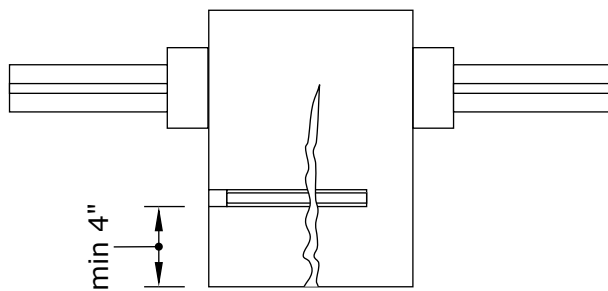
REINFORCEMENT SYSTEMS

www.cintec.com

NOTICE: THIS DRAWING (INCLUDING THE DESIGN AND THE TECHNICAL INFORMATION SHOWN HEREON) BELONGS TO AND IS THE COPYRIGHT OF CINTEC REINFORCEMENT SYSTEMS ("Cintec") AND ACCORDINGLY THE PERSON, FIRM, COMPANY OR ORGANIZATION TO WHOM THIS DRAWING HAS BEEN PROVIDED MAY NOT COPY, RE-PRODUCE OR MAKE ANY USE OF THE DRAWING (INCLUDING THE DESIGN OR ANY OF THE TECHNICAL INFORMATION SHOWN HEREON) OR SHOW OR OTHERWISE PROVIDE THE DRAWING (OR THE SAID DESIGN OR ANY OF THE TECHNICAL INFORMATION) TO ANY THIRD PARTY WITHOUT CINTEC'S SPECIFIC PERMISSION.



A-A SECTION DETAIL



Engineered Grout Injection Anchors by:
Cintec Reinforcement Systems
Tel: 1-410-761-0765
1-613-225-3381
Fax: 1-613-224-9042
E-mail: solutions@cintec.com

Drawing Title:

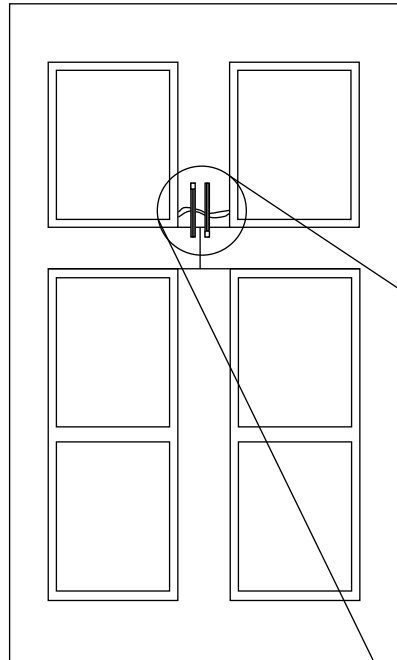
**MULLION STITCHING
DESIGN**

CINTEC

REINFORCEMENT SYSTEMS

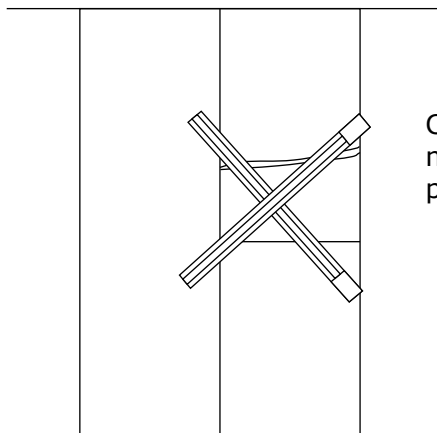
www.cintec.com

NOTICE: THIS DRAWING (INCLUDING THE DESIGN AND THE TECHNICAL INFORMATION SHOWN HEREON) BELONGS TO AND IS THE COPYRIGHT OF CINTEC REINFORCEMENT SYSTEMS ("Cintec") AND ACCORDINGLY THE PERSON, FIRM, COMPANY OR ORGANIZATION TO WHOM THIS DRAWING HAS BEEN PROVIDED MAY NOT COPY, RE-PRODUCE OR MAKE ANY USE OF THE DRAWING (INCLUDING THE DESIGN OR ANY OF THE TECHNICAL INFORMATION SHOWN HEREON) OR SHOW OR OTHERWISE PROVIDE THE DRAWING (OR THE SAID DESIGN OR ANY OF THE TECHNICAL INFORMATION) TO ANY THIRD PARTY WITHOUT CINTEC'S SPECIFIC PERMISSION.

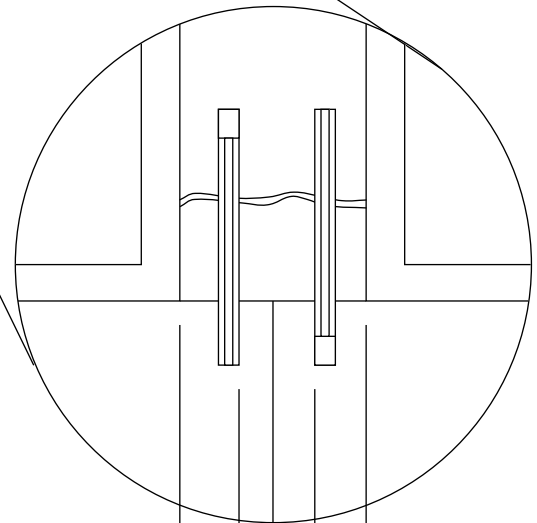


10x1 Stainless Steel
CINTEC Anchor
20mm dia. Hole, @12" o.c.
Alternate Side of Mullion.

A-A SECTION DETAIL



Colour
matched
plug



min 3"

min 3"

CINTEC
REINFORCEMENT SYSTEMS
www.cintec.com

Engineered Grout Injection Anchors by:
Cintec Reinforcement Systems
Tel: 1-410-761-0765
1-613-225-3381
Fax: 1-613-224-9042
E-mail: solutions@cintec.com

Drawing Title:

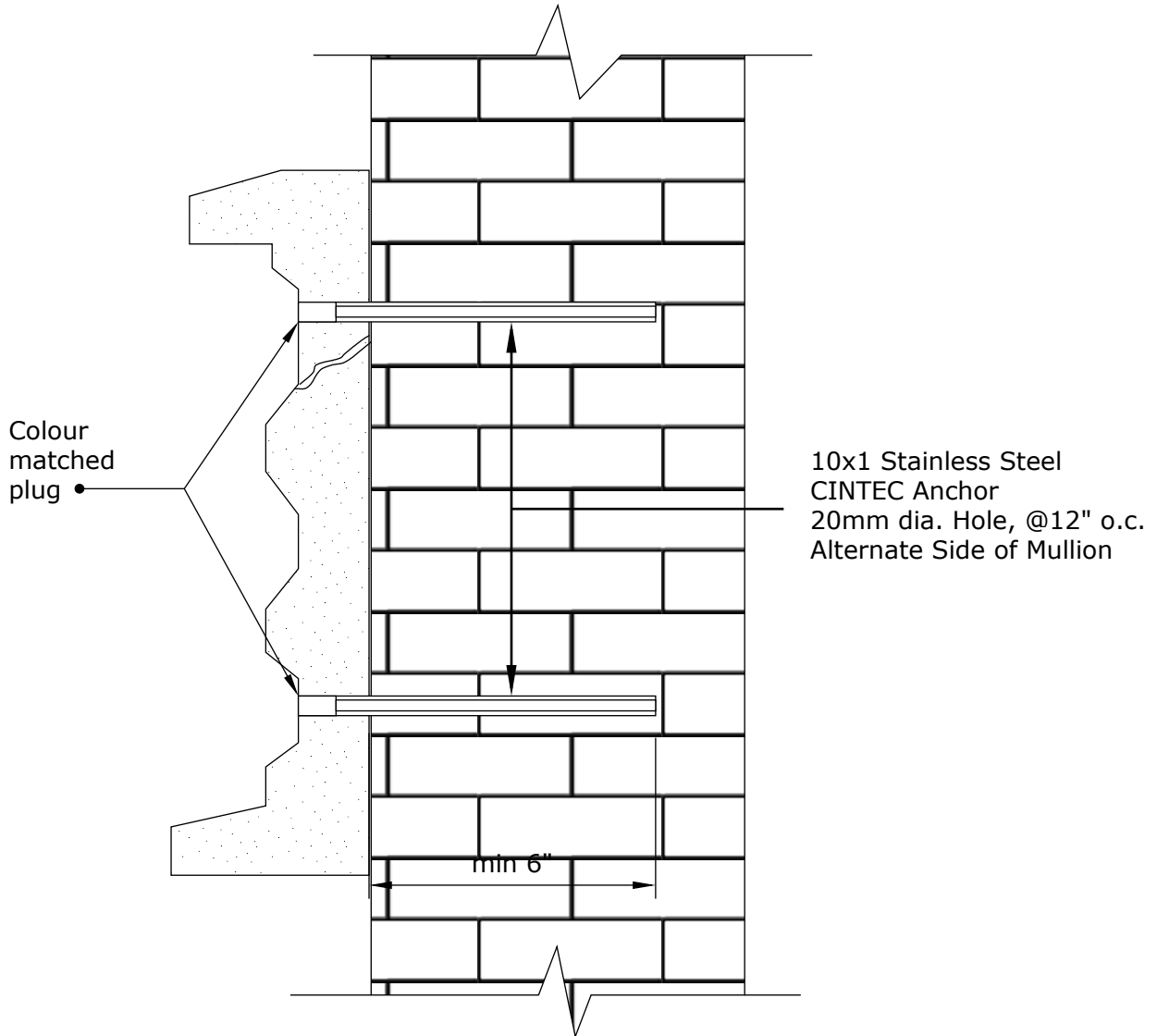
**CRACKS AT WINDOW
STITCHING**

CINTEC

REINFORCEMENT SYSTEMS

www.cintec.com

NOTICE: THIS DRAWING (INCLUDING THE DESIGN AND THE TECHNICAL INFORMATION SHOWN HEREON) BELONGS TO AND IS THE COPYRIGHT OF CINTEC REINFORCEMENT SYSTEMS ("Cintec") AND ACCORDINGLY THE PERSON, FIRM, COMPANY OR ORGANIZATION TO WHOM THIS DRAWING HAS BEEN PROVIDED MAY NOT COPY, RE-PRODUCE OR MAKE ANY USE OF THE DRAWING (INCLUDING THE DESIGN OR ANY OF THE TECHNICAL INFORMATION SHOWN HEREON) OR SHOW OR OTHERWISE PROVIDE THE DRAWING (OR THE SAID DESIGN OR ANY OF THE TECHNICAL INFORMATION) TO ANY THIRD PARTY WITHOUT CINTEC'S SPECIFIC PERMISSION.



Engineered Grout Injection Anchors by:
Cintec Reinforcement Systems
Tel: 1-410-761-0765
1-613-225-3381
Fax: 1-613-224-9042
E-mail: solutions@cintec.com

Drawing Title:

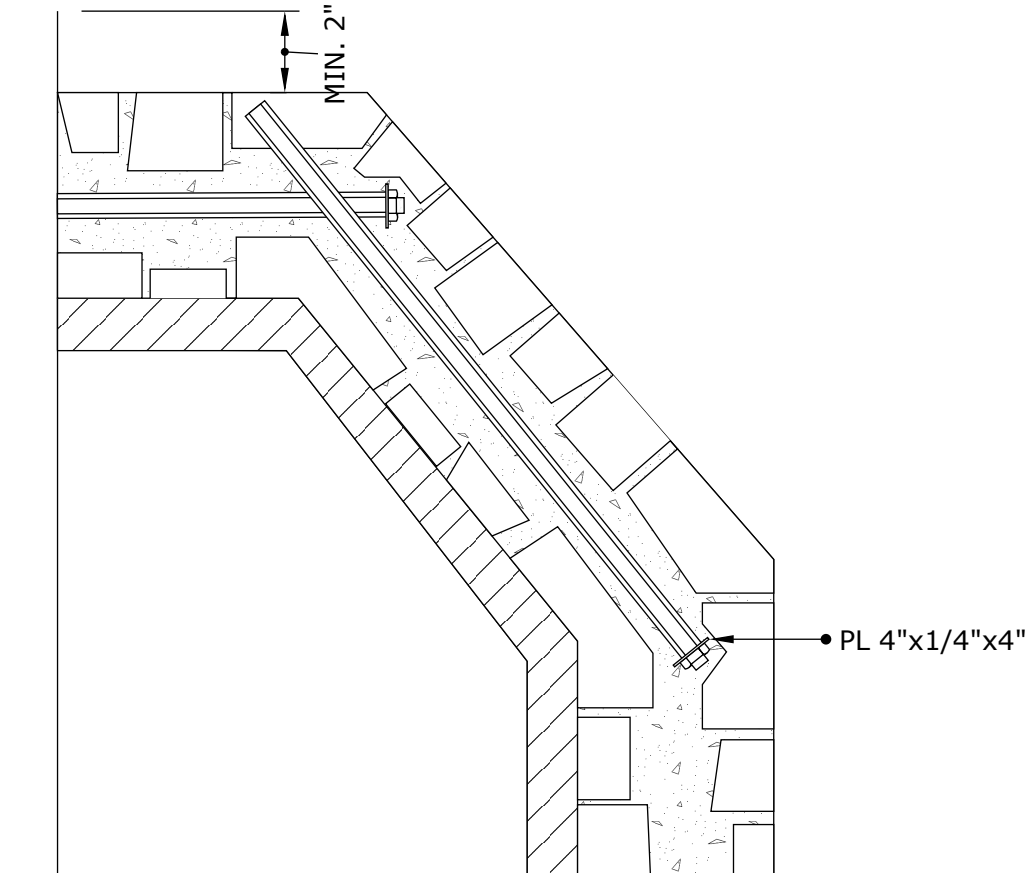
**STONE RELIEF
STITCHING**

CINTEC

REINFORCEMENT SYSTEMS

www.cintec.com

NOTICE: THIS DRAWING (INCLUDING THE DESIGN AND THE TECHNICAL INFORMATION SHOWN HEREON) BELONGS TO AND IS THE COPYRIGHT OF CINTEC REINFORCEMENT SYSTEMS ("Cintec") AND ACCORDINGLY THE PERSON, FIRM, COMPANY OR ORGANIZATION TO WHOM THIS DRAWING HAS BEEN PROVIDED MAY NOT COPY, RE-PRODUCE OR MAKE ANY USE OF THE DRAWING (INCLUDING THE DESIGN OR ANY OF THE TECHNICAL INFORMATION SHOWN HEREON) OR SHOW OR OTHERWISE PROVIDE THE DRAWING (OR THE SAID DESIGN OR ANY OF THE TECHNICAL INFORMATION) TO ANY THIRD PARTY WITHOUT CINTEC'S SPECIFIC PERMISSION.



NOTES:

- REMOVE CAREFULLY OUTSIDE STONES AT ANCHOR LOCATION AND DRILL HOLE THROUGH THE WALL
- MAKE RECESS (COUNTER SINK) IN BRICK BACKUP (RUBBLE CORE) FOR STAINLESS STEEL PLATE, WASHER AND NUT IN ORDER TO MINIMIZE STONE CUTTING
- CUT OUT BACK OF STONE IF NECESSARY
- INSERT CINTEC ANCHOR AND GROUT IT
- INSTALL STAINLESS STEEL PLATE, WASHER, AND NUT
- GROUT BEHIND THE PLATE WITH NON-SHRINK GROUT
- REINSTALL OUTSIDE STONES



Engineered Grout Injection Anchors by:
Cintec Reinforcement Systems
Tel: 1-410-761-0765
1-613-225-3381
Fax: 1-613-224-9042
E-mail: solutions@cintec.com

Drawing Title:

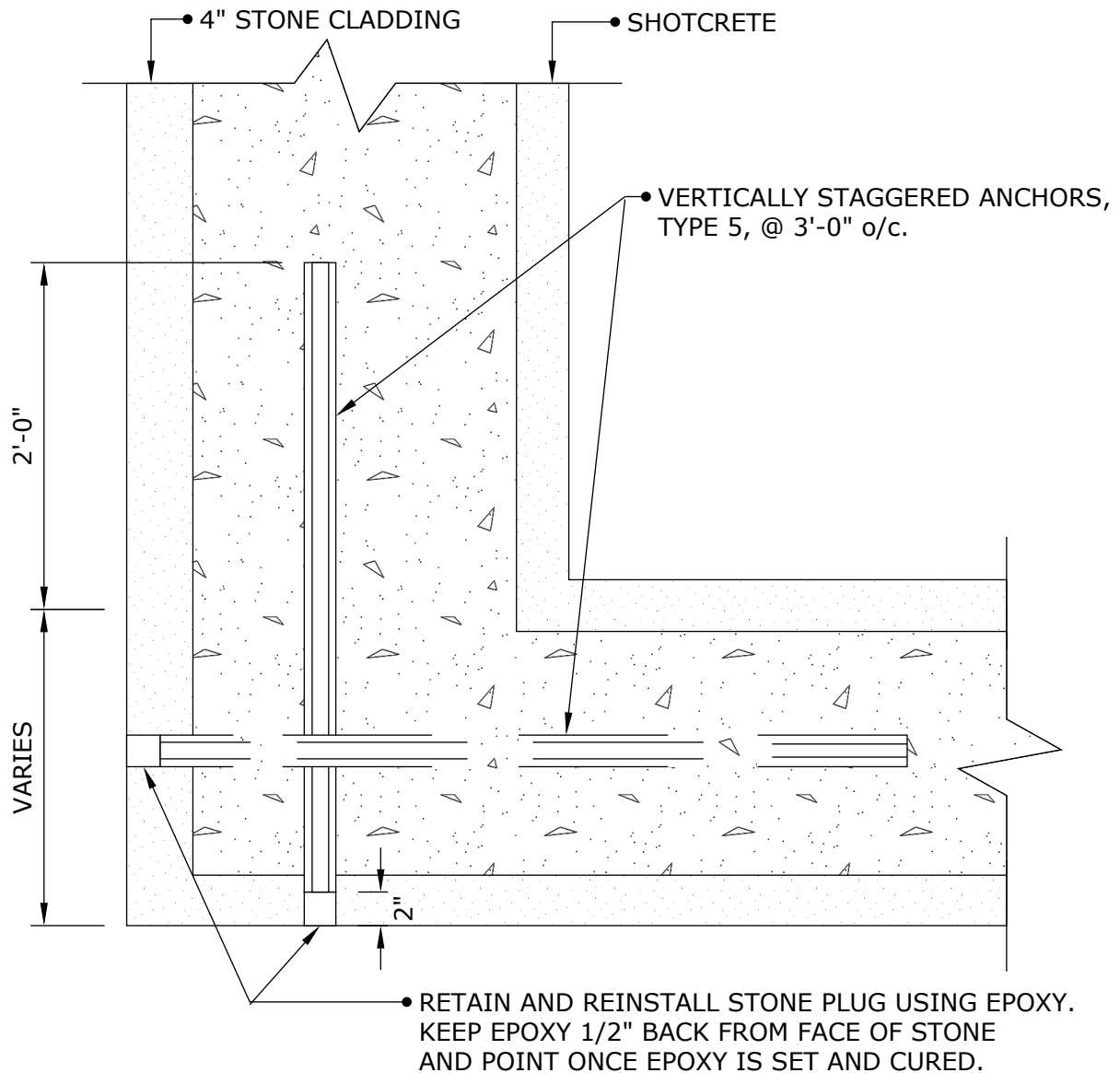
**CRACKED TURRET WALL
STITCHING CRACK
CLOSE TO ADJ. WALL**

CINTEC

REINFORCEMENT SYSTEMS

www.cintec.com

NOTICE: THIS DRAWING (INCLUDING THE DESIGN AND THE TECHNICAL INFORMATION SHOWN HEREON) BELONGS TO AND IS THE COPYRIGHT OF CINTEC REINFORCEMENT SYSTEMS ("Cintec") AND ACCORDINGLY THE PERSON, FIRM, COMPANY OR ORGANIZATION TO WHOM THIS DRAWING HAS BEEN PROVIDED MAY NOT COPY, RE-PRODUCE OR MAKE ANY USE OF THE DRAWING (INCLUDING THE DESIGN OR ANY OF THE TECHNICAL INFORMATION SHOWN HEREON) OR SHOW OR OTHERWISE PROVIDE THE DRAWING (OR THE SAID DESIGN OR ANY OF THE TECHNICAL INFORMATION) TO ANY THIRD PARTY WITHOUT CINTEC'S SPECIFIC PERMISSION.



Engineered Grout Injection Anchors by:
Cintec Reinforcement Systems
Tel: 1-410-761-0765
1-613-225-3381
Fax: 1-613-224-9042
E-mail: solutions@cintec.com

Drawing Title:

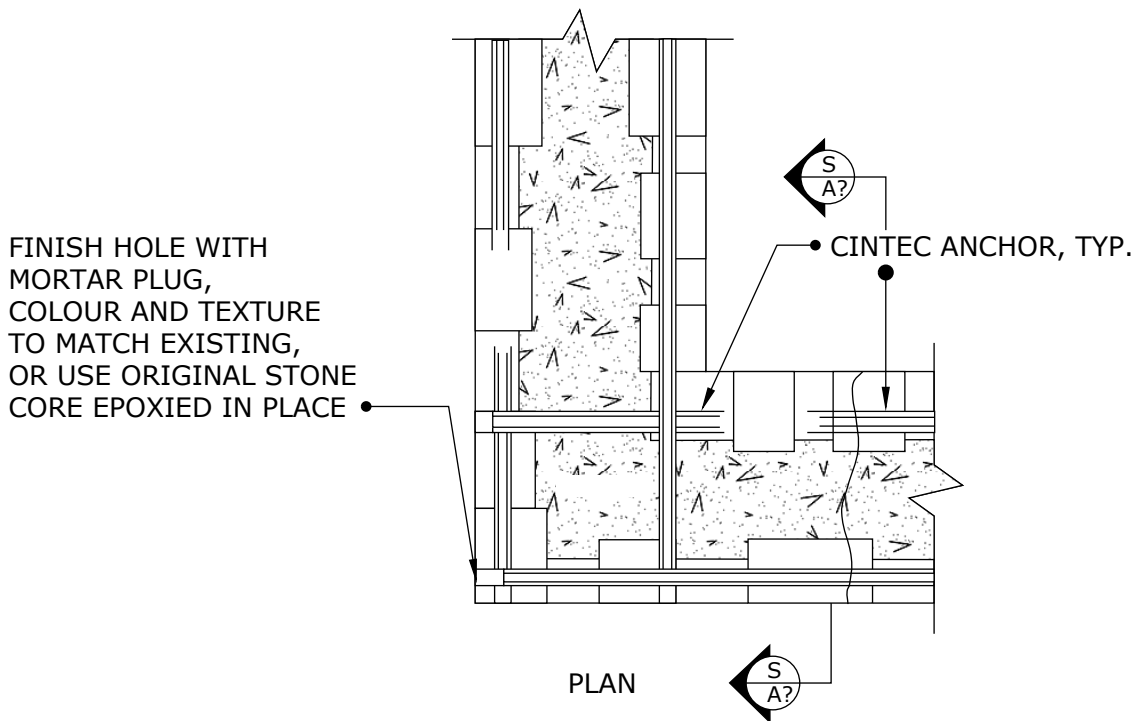
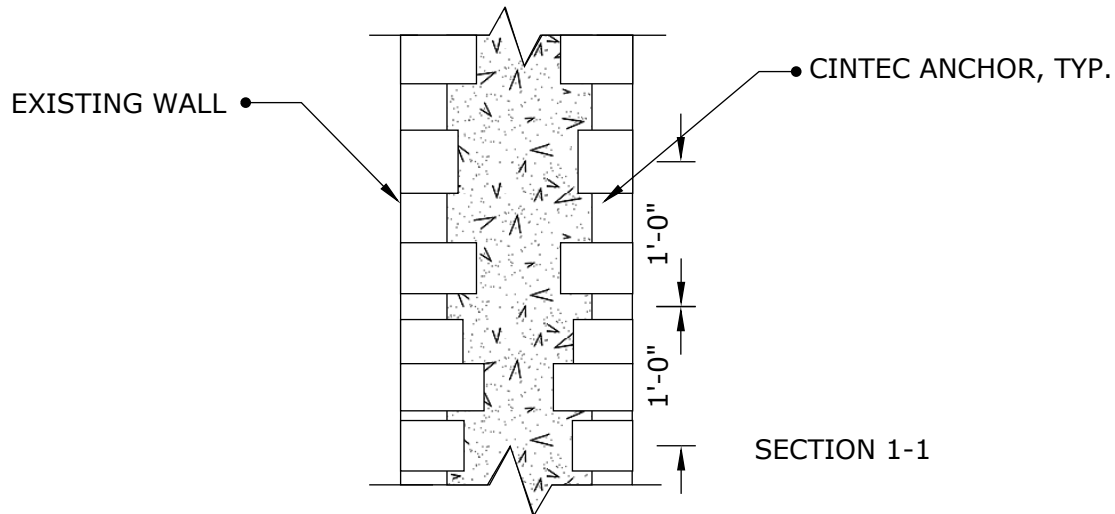
**CRACKED TURRET WALL
STITCHING CRACK
CLOSE TO ADJ. WALL**

CINTEC

REINFORCEMENT SYSTEMS

www.cintec.com

NOTICE: THIS DRAWING (INCLUDING THE DESIGN AND THE TECHNICAL INFORMATION SHOWN HEREON) BELONGS TO AND IS THE COPYRIGHT OF CINTEC REINFORCEMENT SYSTEMS ("Cintec") AND ACCORDINGLY THE PERSON, FIRM, COMPANY OR ORGANIZATION TO WHOM THIS DRAWING HAS BEEN PROVIDED MAY NOT COPY, RE-PRODUCE OR MAKE ANY USE OF THE DRAWING (INCLUDING THE DESIGN OR ANY OF THE TECHNICAL INFORMATION SHOWN HEREON) OR SHOW OR OTHERWISE PROVIDE THE DRAWING (OR THE SAID DESIGN OR ANY OF THE TECHNICAL INFORMATION) TO ANY THIRD PARTY WITHOUT CINTEC'S SPECIFIC PERMISSION.



Engineered Grout Injection Anchors by:
Cintec Reinforcement Systems
Tel: 1-410-761-0765
1-613-225-3381
Fax: 1-613-224-9042
E-mail: solutions@cintec.com

Drawing Title:

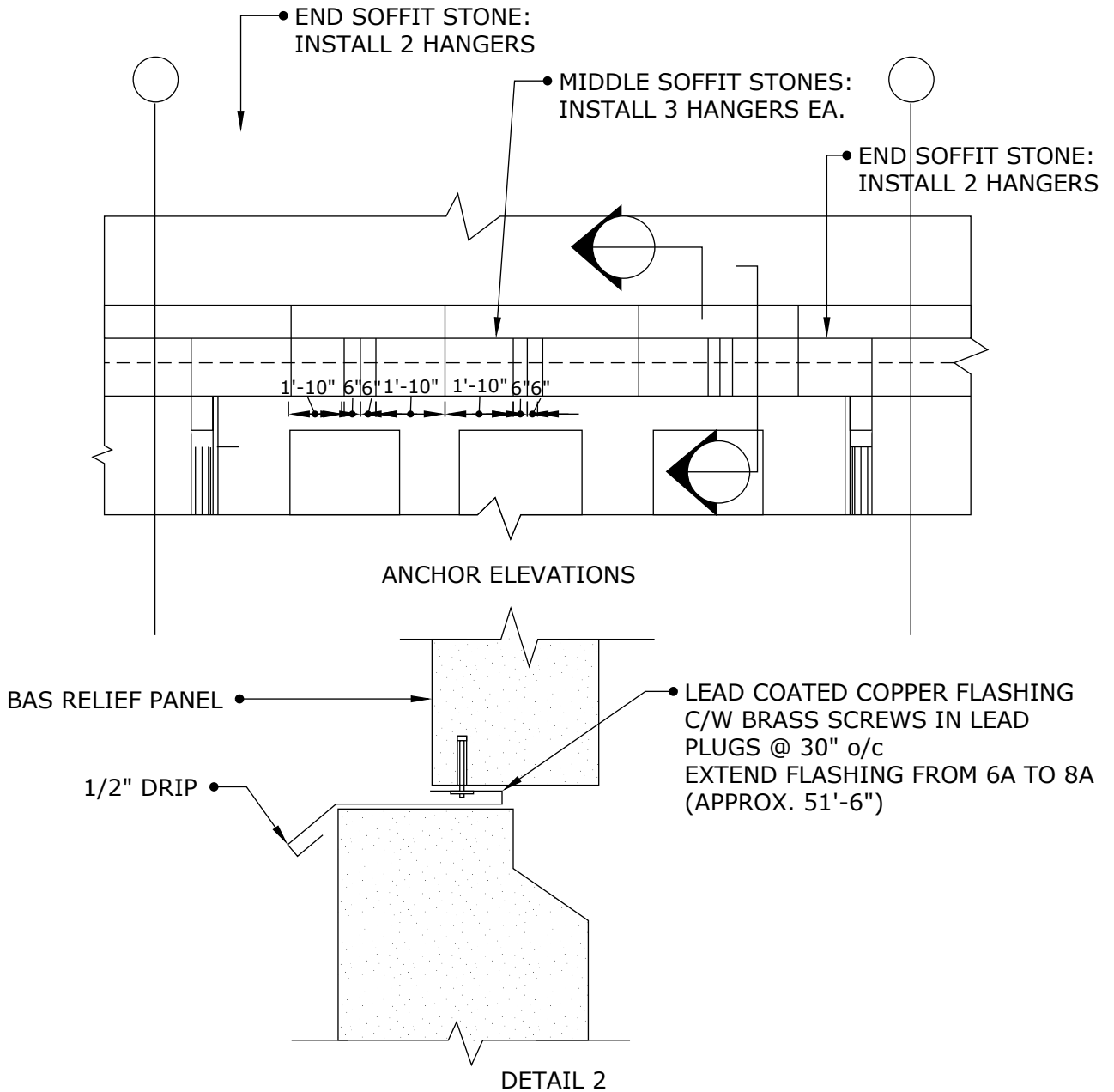
CORNER STITCHING ANCHOR IN RUBBLE WALL

CINTEC

REINFORCEMENT SYSTEMS

www.cintec.com

NOTICE: THIS DRAWING (INCLUDING THE DESIGN AND THE TECHNICAL INFORMATION SHOWN HEREON) BELONGS TO AND IS THE COPYRIGHT OF CINTEC REINFORCEMENT SYSTEMS ("Cintec") AND ACCORDINGLY THE PERSON, FIRM, COMPANY OR ORGANIZATION TO WHOM THIS DRAWING HAS BEEN PROVIDED MAY NOT COPY, RE-PRODUCE OR MAKE ANY USE OF THE DRAWING (INCLUDING THE DESIGN OR ANY OF THE TECHNICAL INFORMATION SHOWN HEREON) OR SHOW OR OTHERWISE PROVIDE THE DRAWING (OR THE SAID DESIGN OR ANY OF THE TECHNICAL INFORMATION) TO ANY THIRD PARTY WITHOUT CINTEC'S SPECIFIC PERMISSION.



Engineered Grout Injection Anchors by:
Cintec Reinforcement Systems
 Tel: 1-410-761-0765
 1-613-225-3381
 Fax: 1-613-224-9042
 E-mail: solutions@cintec.com

Drawing Title:

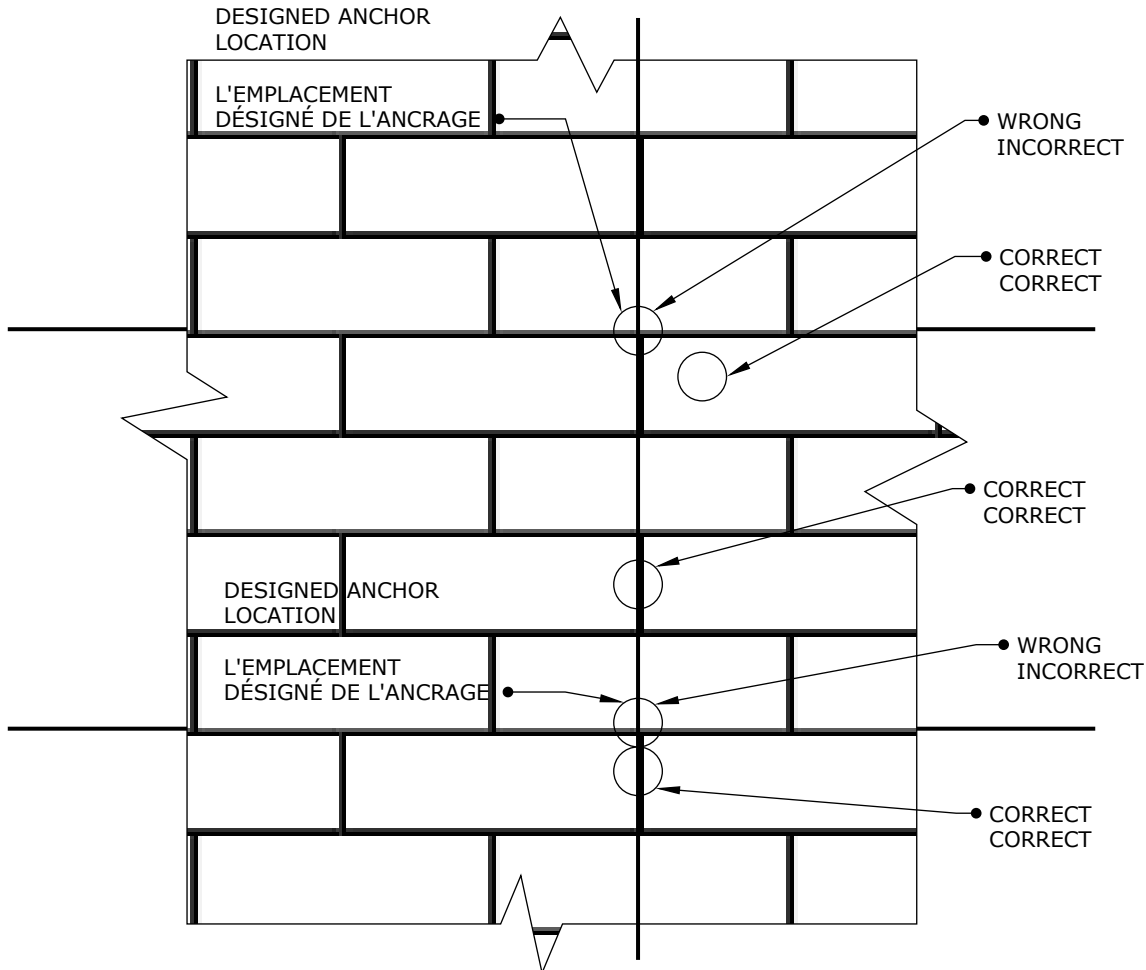
ANCHOR LOCATIONS

CINTEC

REINFORCEMENT SYSTEMS

www.cintec.com

NOTICE: THIS DRAWING (INCLUDING THE DESIGN AND THE TECHNICAL INFORMATION SHOWN HEREON) BELONGS TO AND IS THE COPYRIGHT OF CINTEC REINFORCEMENT SYSTEMS ("Cintec") AND ACCORDINGLY THE PERSON, FIRM, COMPANY OR ORGANIZATION TO WHOM THIS DRAWING HAS BEEN PROVIDED MAY NOT COPY, RE-PRODUCE OR MAKE ANY USE OF THE DRAWING (INCLUDING THE DESIGN OR ANY OF THE TECHNICAL INFORMATION SHOWN HEREON) OR SHOW OR OTHERWISE PROVIDE THE DRAWING (OR THE SAID DESIGN OR ANY OF THE TECHNICAL INFORMATION) TO ANY THIRD PARTY WITHOUT CINTEC'S SPECIFIC PERMISSION.



TYPICAL STONE WALL ELEVATION / ELEVATION TYPIQUE

NOTES:

1. NEVER CORE DRILL THROUGH THE EDGE OF THE STONE. ALWAYS ADJUST ANCHOR LOCATION TO STONE LAYOUT.
1. NE PERCER JAMAIS JUSQU'AU BORDURE EXTERIEURE DE LA PIERRE. TOUJOURS ADAPTER L'EMPLACEMENT DES ANCRAGES À LA DISPOSITIONS DES PIERRES.
2. ALLOWABLE TOLERANCE IS +3" FROM THE DESIGNED LOCATION IN HORIZONTAL OR VERTICAL DIRECTION.
2. TOLÉRANCES PERMISE EST +3" DE L'EMPLACEMENT DESIGNÉ DANS LA DIRECTION HORIZONTALE OU VERTICALE.
3. MINIMUM DISTANCE FROM ANCHOR HOLE TO EXPOSED EDGE OF STONE, I.E. AT THE BUILDING CORNER, OR WINDOW SILL, ETC., IS 4", UNLESS NOTED OTHERWISE.
3. LA DISTANCE MINIMALE DE TROU D'ANCRAGE À LA BORDURE EXPOSÉ DE LA PIERRE I.E. AU COIN DE L'ÉDIFICE OU AU REBORD DE LA FENÊTRE, ETC., DEVAIS ÊTRE 4", A MOIN QU'AUTREMENT SPÉCIFIÉ.



Engineered Grout Injection Anchors by:
Cintec Reinforcement Systems
 Tel: 1-410-761-0765
 1-613-225-3381
 Fax: 1-613-224-9042
 E-mail: solutions@cintec.com

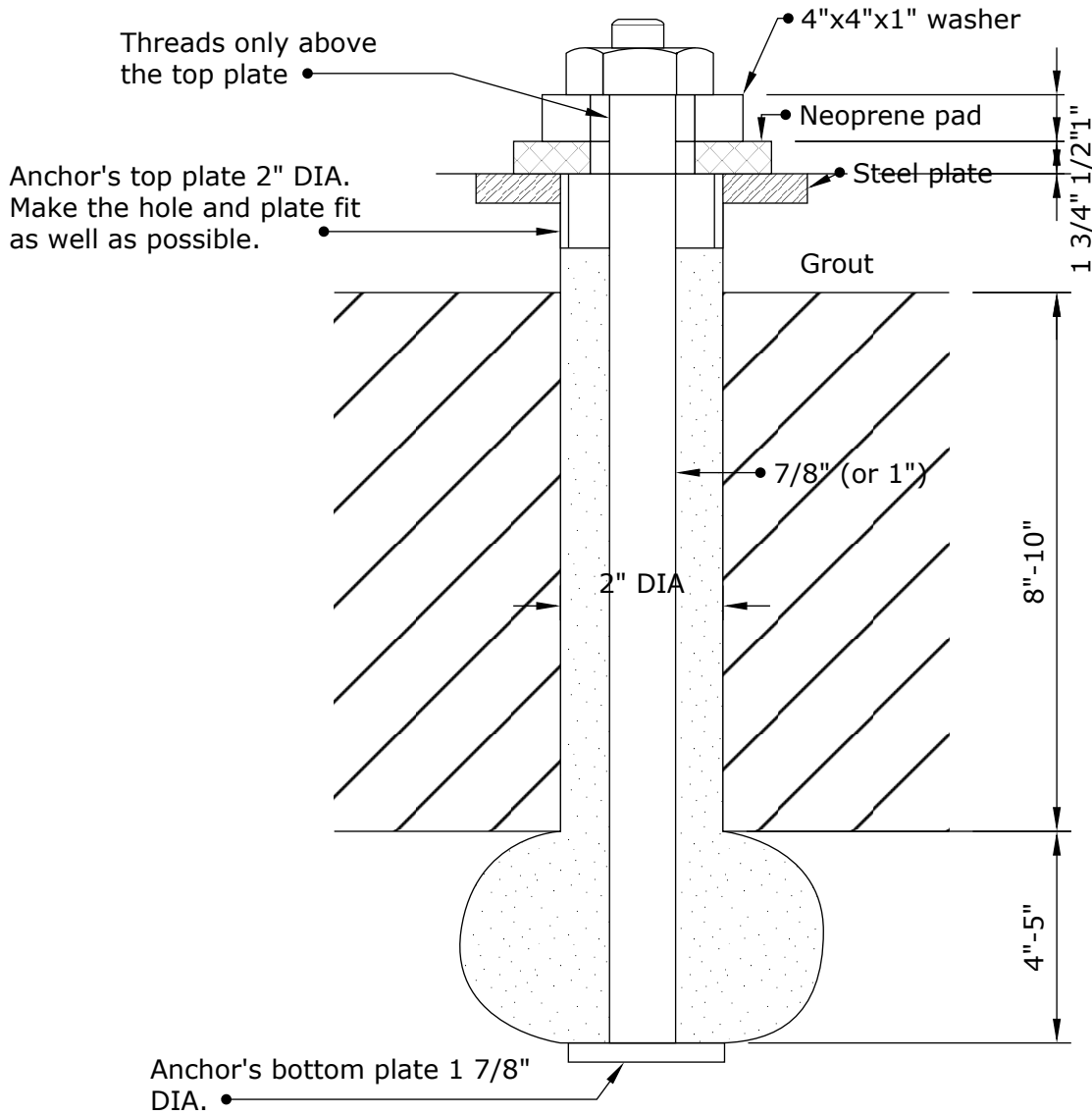
Drawing Title:
**ANCHOR LOCATION
 TOLERANCES
 TOLÉRANCES DE
 L'EMPLACEMENT DES
 ANCRAGES**

CINTEC

REINFORCEMENT SYSTEMS

www.cintec.com

NOTICE: THIS DRAWING (INCLUDING THE DESIGN AND THE TECHNICAL INFORMATION SHOWN HEREON) BELONGS TO AND IS THE COPYRIGHT OF CINTEC REINFORCEMENT SYSTEMS ("Cintec") AND ACCORDINGLY THE PERSON, FIRM, COMPANY OR ORGANIZATION TO WHOM THIS DRAWING HAS BEEN PROVIDED MAY NOT COPY, RE-PRODUCE OR MAKE ANY USE OF THE DRAWING (INCLUDING THE DESIGN OR ANY OF THE TECHNICAL INFORMATION SHOWN HEREON) OR SHOW OR OTHERWISE PROVIDE THE DRAWING (OR THE SAID DESIGN OR ANY OF THE TECHNICAL INFORMATION) TO ANY THIRD PARTY WITHOUT CINTEC'S SPECIFIC PERMISSION.



Engineered Grout Injection Anchors by:
Cintec Reinforcement Systems
Tel: 1-410-761-0765
1-613-225-3381
Fax: 1-613-224-9042
E-mail: solutions@cintec.com

Drawing Title:

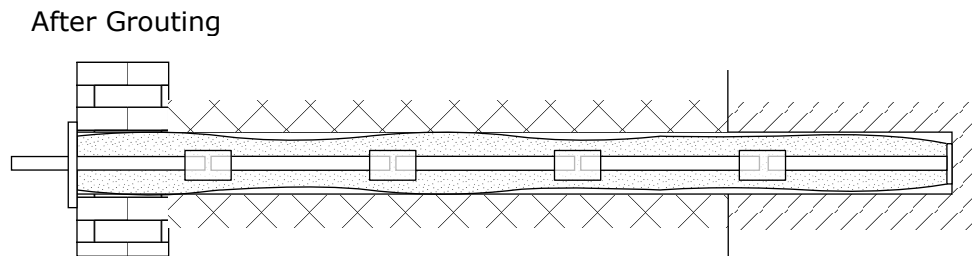
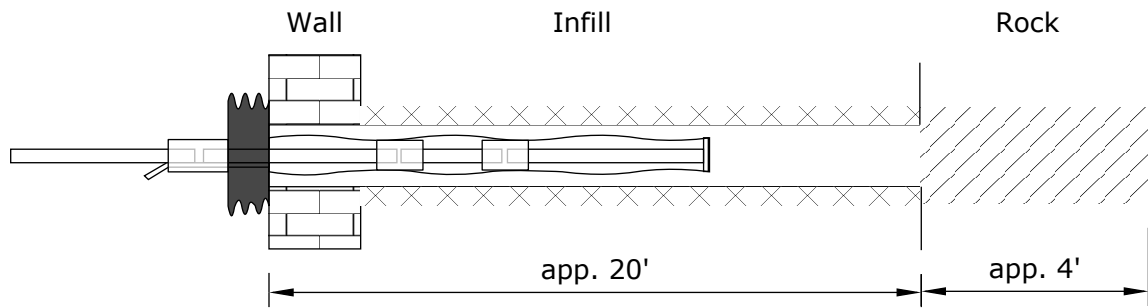
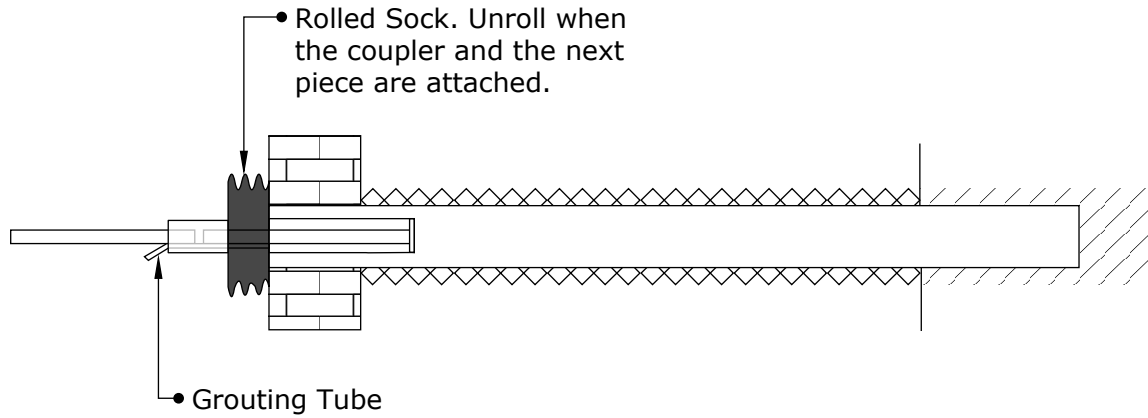
PUMP ANCHOR

CINTEC

REINFORCEMENT SYSTEMS

www.cintec.com

NOTICE: THIS DRAWING (INCLUDING THE DESIGN AND THE TECHNICAL INFORMATION SHOWN HEREON) BELONGS TO AND IS THE COPYRIGHT OF CINTEC REINFORCEMENT SYSTEMS ("Cintec") AND ACCORDINGLY THE PERSON, FIRM, COMPANY OR ORGANIZATION TO WHOM THIS DRAWING HAS BEEN PROVIDED MAY NOT COPY, RE-PRODUCE OR MAKE ANY USE OF THE DRAWING (INCLUDING THE DESIGN OR ANY OF THE TECHNICAL INFORMATION SHOWN HEREON) OR SHOW OR OTHERWISE PROVIDE THE DRAWING (OR THE SAID DESIGN OR ANY OF THE TECHNICAL INFORMATION) TO ANY THIRD PARTY WITHOUT CINTEC'S SPECIFIC PERMISSION.



Engineered Grout Injection Anchors by:
Cintec Reinforcement Systems
 Tel: 1-410-761-0765
 1-613-225-3381
 Fax: 1-613-224-9042
 E-mail: solutions@cintec.com

Drawing Title:

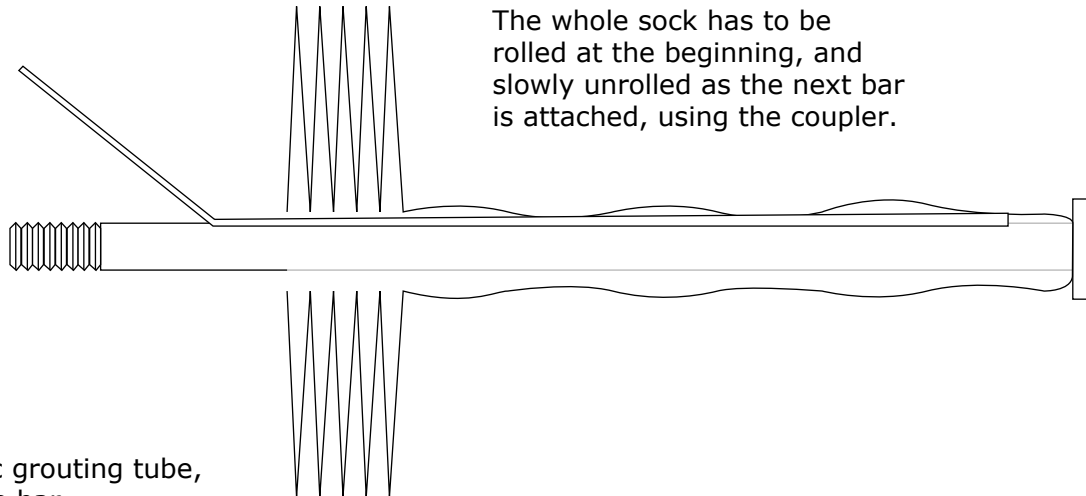
**CINTEC COUPLING
 ROCK ANCHOR THREE
 PIECE STEP**

CINTEC

REINFORCEMENT SYSTEMS

www.cintec.com

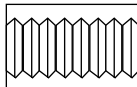
NOTICE: THIS DRAWING (INCLUDING THE DESIGN AND THE TECHNICAL INFORMATION SHOWN HEREON) BELONGS TO AND IS THE COPYRIGHT OF CINTEC REINFORCEMENT SYSTEMS ("Cintec") AND ACCORDINGLY THE PERSON, FIRM, COMPANY OR ORGANIZATION TO WHOM THIS DRAWING HAS BEEN PROVIDED MAY NOT COPY, RE-PRODUCE OR MAKE ANY USE OF THE DRAWING (INCLUDING THE DESIGN OR ANY OF THE TECHNICAL INFORMATION SHOWN HEREON) OR SHOW OR OTHERWISE PROVIDE THE DRAWING (OR THE SAID DESIGN OR ANY OF THE TECHNICAL INFORMATION) TO ANY THIRD PARTY WITHOUT CINTEC'S SPECIFIC PERMISSION.



The whole sock has to be rolled at the beginning, and slowly unrolled as the next bar is attached, using the coupler.

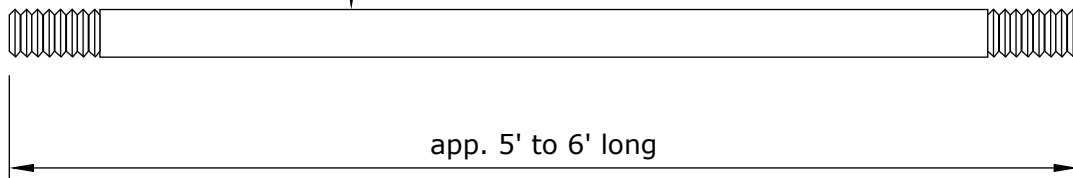
Long plastic grouting tube, taped to the bar

Copuler



Intermediate Piece

• 3/4" (or M20) Solid Stainless Steel Bar

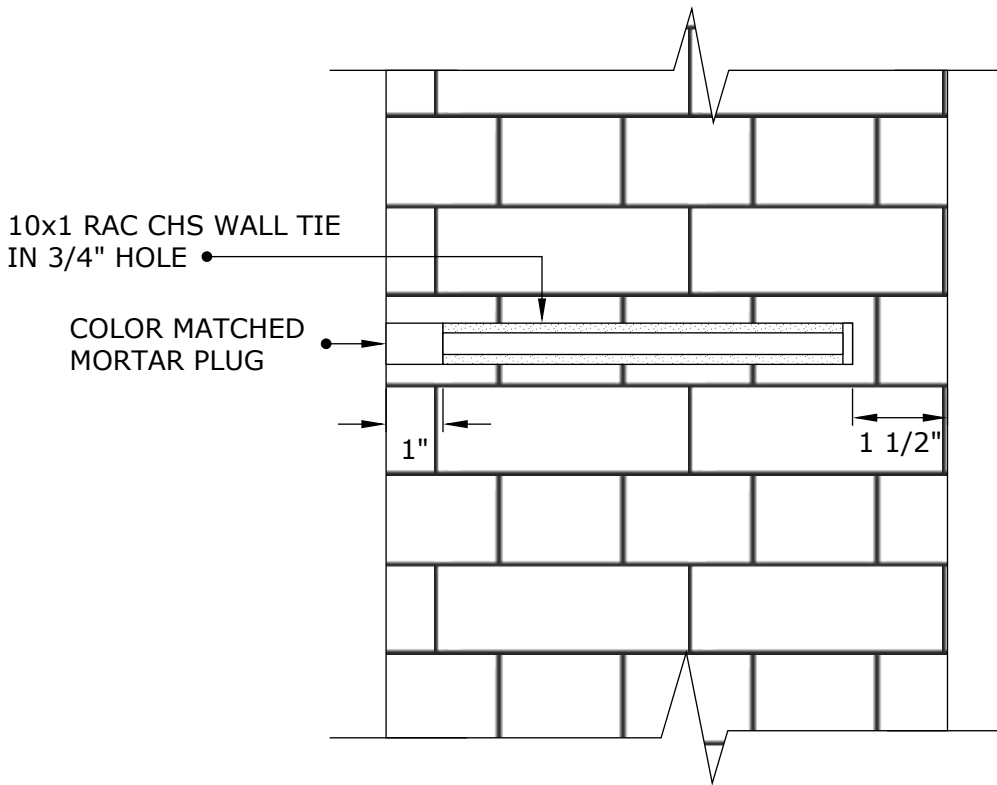


Engineered Grout Injection Anchors by:
Cintec Reinforcement Systems
Tel: 1-410-761-0765
1-613-225-3381
Fax: 1-613-224-9042
E-mail: solutions@cintec.com

Drawing Title:

CINTEC ANCHOR DETAIL

NOTICE: THIS DRAWING (INCLUDING THE DESIGN AND THE TECHNICAL INFORMATION SHOWN HEREON) BELONGS TO AND IS THE COPYRIGHT OF CINTEC REINFORCEMENT SYSTEMS ("Cintec") AND ACCORDINGLY THE PERSON, FIRM, COMPANY OR ORGANIZATION TO WHOM THIS DRAWING HAS BEEN PROVIDED MAY NOT COPY, RE-PRODUCE OR MAKE ANY USE OF THE DRAWING (INCLUDING THE DESIGN OR ANY OF THE TECHNICAL INFORMATION SHOWN HEREON) OR SHOW OR OTHERWISE PROVIDE THE DRAWING (OR THE SAID DESIGN OR ANY OF THE TECHNICAL INFORMATION) TO ANY THIRD PARTY WITHOUT CINTEC'S SPECIFIC PERMISSION.



CINTEC

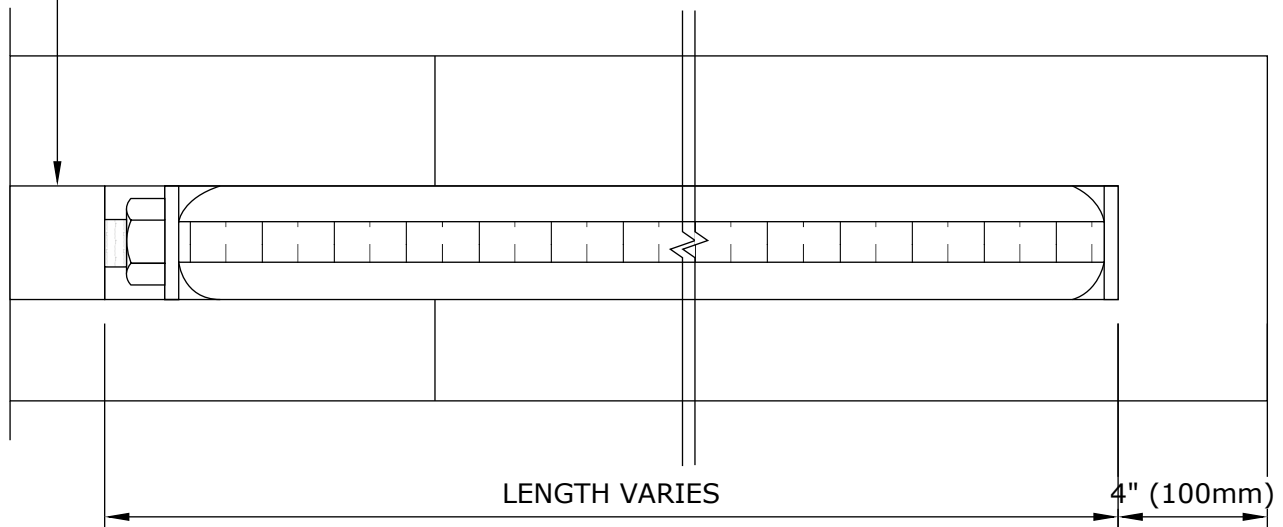
REINFORCEMENT SYSTEMS

www.cintec.com

NOTICE: THIS DRAWING (INCLUDING THE DESIGN AND THE TECHNICAL INFORMATION SHOWN HEREON) BELONGS TO AND IS THE COPYRIGHT OF CINTEC REINFORCEMENT SYSTEMS ("Cintec") AND ACCORDINGLY THE PERSON, FIRM, COMPANY OR ORGANIZATION TO WHOM THIS DRAWING HAS BEEN PROVIDED MAY NOT COPY, RE-PRODUCE OR MAKE ANY USE OF THE DRAWING (INCLUDING THE DESIGN OR ANY OF THE TECHNICAL INFORMATION SHOWN HEREON) OR SHOW OR OTHERWISE PROVIDE THE DRAWING (OR THE SAID DESIGN OR ANY OF THE TECHNICAL INFORMATION) TO ANY THIRD PARTY WITHOUT CINTEC'S SPECIFIC PERMISSION.

- RETAIN AND REINSTALL STONE PLUG USING EPOXY. KEEP EPOXY 1/2" BACK FROM FACE OF STONE AND POINT ONCE EPOXY IS SET AND CURED.

- CINTEC ANCHOR
 - 5/8" (16mm) STAINLESS STEEL THREADED ROD
 - SOCK TO FIT 1 1/4" (32mm) DIA HOLE
 - SOCK FULL LENGTH



NOTE:

1. LENGTH OF ANCHORS TO BE DETERMINED ON SITE.

ALL STEEL TO BE STAINLESS S304 QUALITY



Engineered Grout Injection Anchors by:
Cintec Reinforcement Systems
Tel: 1-410-761-0765
1-613-225-3381
Fax: 1-613-224-9042
E-mail: solutions@cintec.com

Drawing Title:

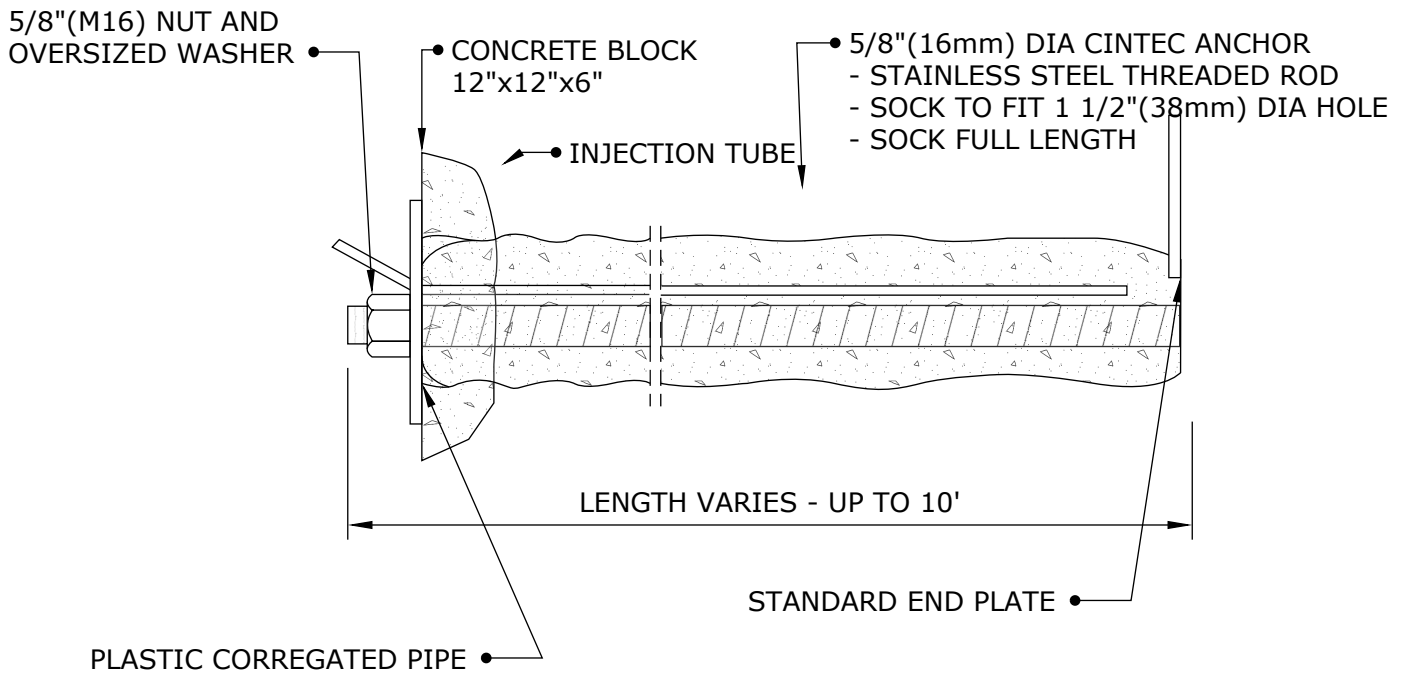
**TYPICAL ANCHOR
INSTALLATION**

CINTEC

REINFORCEMENT SYSTEMS

www.cintec.com

NOTICE: THIS DRAWING (INCLUDING THE DESIGN AND THE TECHNICAL INFORMATION SHOWN HEREON) BELONGS TO AND IS THE COPYRIGHT OF CINTEC REINFORCEMENT SYSTEMS ("Cintec") AND ACCORDINGLY THE PERSON, FIRM, COMPANY OR ORGANIZATION TO WHOM THIS DRAWING HAS BEEN PROVIDED MAY NOT COPY, RE-PRODUCE OR MAKE ANY USE OF THE DRAWING (INCLUDING THE DESIGN OR ANY OF THE TECHNICAL INFORMATION SHOWN HEREON) OR SHOW OR OTHERWISE PROVIDE THE DRAWING (OR THE SAID DESIGN OR ANY OF THE TECHNICAL INFORMATION) TO ANY THIRD PARTY WITHOUT CINTEC'S SPECIFIC PERMISSION.



NOTE:

ALL STEEL TO BE STAINLESS S304 QUALITY



Engineered Grout Injection Anchors by:
Cintec Reinforcement Systems
Tel: 1-410-761-0765
1-613-225-3381
Fax: 1-613-224-9042
E-mail: solutions@cintec.com

Drawing Title:

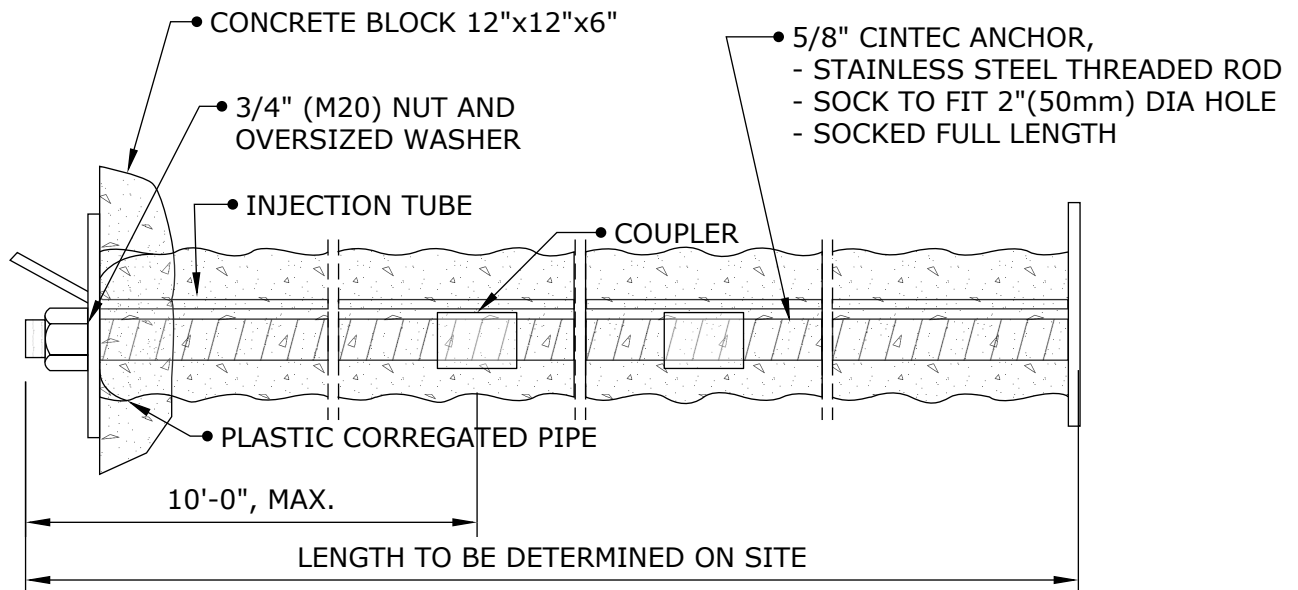
CINTEC ANCHORS

CINTEC

REINFORCEMENT SYSTEMS

www.cintec.com

NOTICE: THIS DRAWING (INCLUDING THE DESIGN AND THE TECHNICAL INFORMATION SHOWN HEREON) BELONGS TO AND IS THE COPYRIGHT OF CINTEC REINFORCEMENT SYSTEMS ("Cintec") AND ACCORDINGLY THE PERSON, FIRM, COMPANY OR ORGANIZATION TO WHOM THIS DRAWING HAS BEEN PROVIDED MAY NOT COPY, RE-PRODUCE OR MAKE ANY USE OF THE DRAWING (INCLUDING THE DESIGN OR ANY OF THE TECHNICAL INFORMATION SHOWN HEREON) OR SHOW OR OTHERWISE PROVIDE THE DRAWING (OR THE SAID DESIGN OR ANY OF THE TECHNICAL INFORMATION) TO ANY THIRD PARTY WITHOUT CINTEC'S SPECIFIC PERMISSION.



NOTE:

ALL STEEL TO BE STAINLESS
S304 QUALITY



Engineered Grout Injection Anchors by:
Cintec Reinforcement Systems
Tel: 1-410-761-0765
1-613-225-3381
Fax: 1-613-224-9042
E-mail: solutions@cintec.com

Drawing Title:

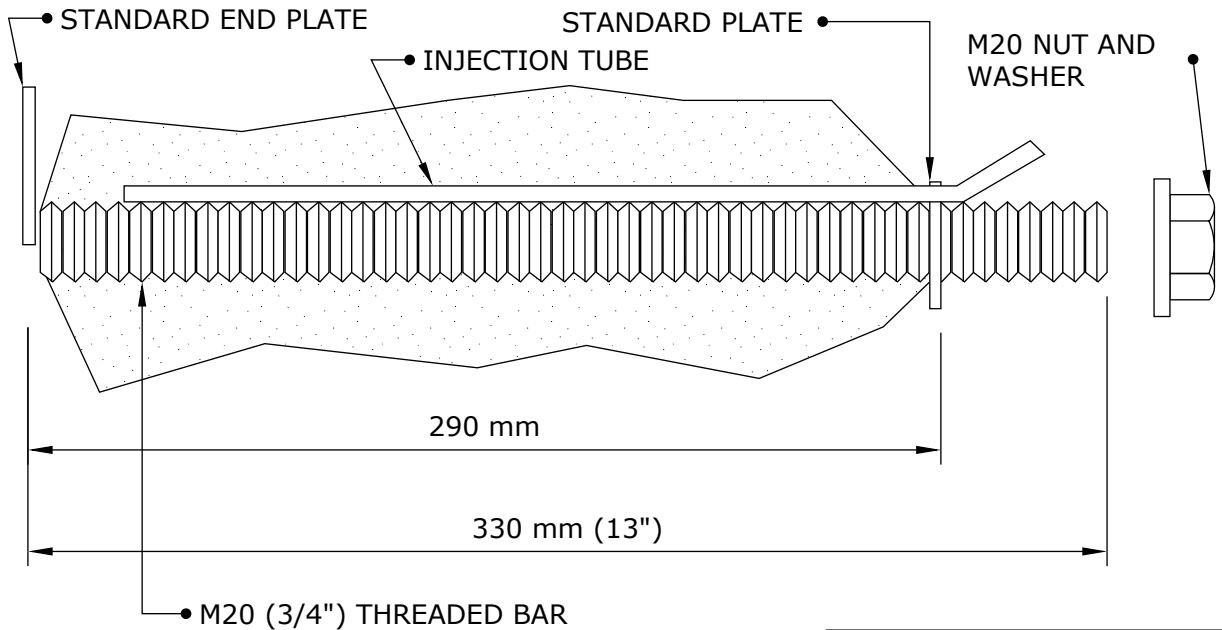
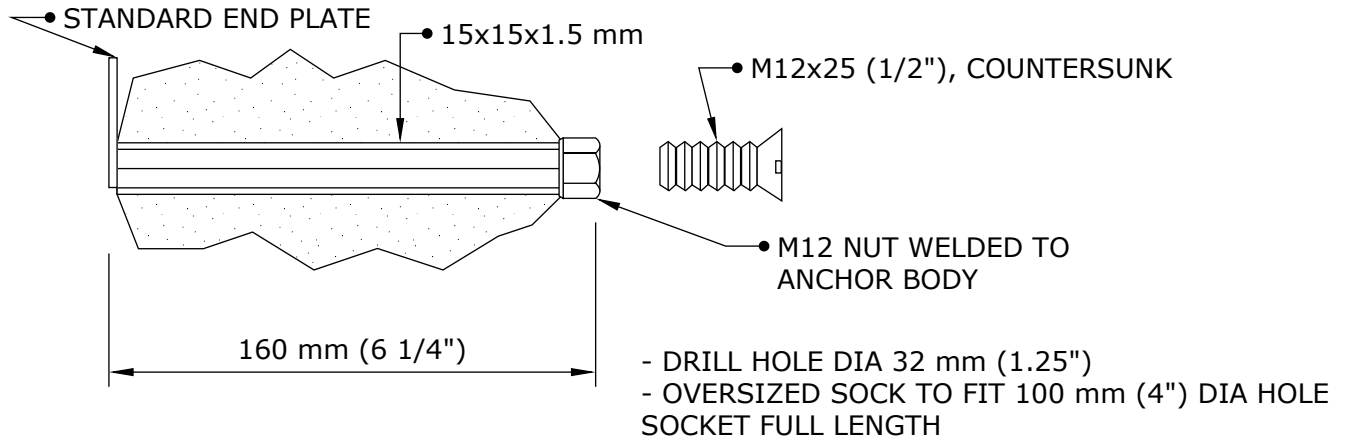
CINTEC ANCHOR

CINTEC

REINFORCEMENT SYSTEMS

www.cintec.com

NOTICE: THIS DRAWING (INCLUDING THE DESIGN AND THE TECHNICAL INFORMATION SHOWN HEREON) BELONGS TO AND IS THE COPYRIGHT OF CINTEC REINFORCEMENT SYSTEMS ("Cintec") AND ACCORDINGLY THE PERSON, FIRM, COMPANY OR ORGANIZATION TO WHOM THIS DRAWING HAS BEEN PROVIDED MAY NOT COPY, RE-PRODUCE OR MAKE ANY USE OF THE DRAWING (INCLUDING THE DESIGN OR ANY OF THE TECHNICAL INFORMATION SHOWN HEREON) OR SHOW OR OTHERWISE PROVIDE THE DRAWING (OR THE SAID DESIGN OR ANY OF THE TECHNICAL INFORMATION) TO ANY THIRD PARTY WITHOUT CINTEC'S SPECIFIC PERMISSION.



- DRILL HOLE DIA 50 mm (2")
- OVERSIZED SOCK TO FIT 150 mm (6") DIA HOLE SOCKET FULL LENGTH

NOTE:

ALL STEEL TO BE STAINLESS S304 QUALITY



Engineered Grout Injection Anchors by:
Cintec Reinforcement Systems
 Tel: 1-410-761-0765
 1-613-225-3381
 Fax: 1-613-224-9042
 E-mail: solutions@cintec.com

Drawing Title:

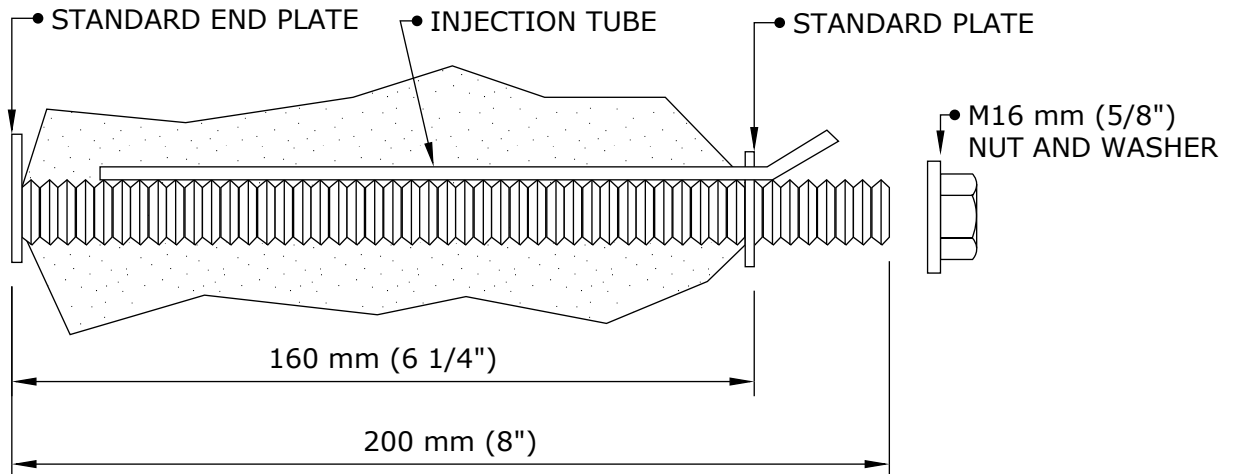
CINTEC ANCHORS

CINTEC

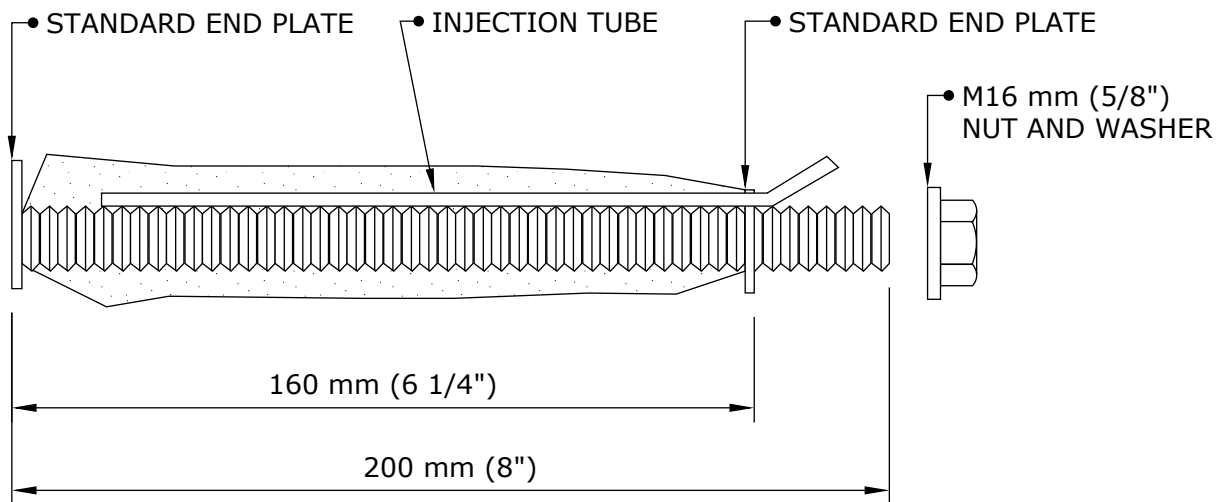
REINFORCEMENT SYSTEMS

www.cintec.com

NOTICE: THIS DRAWING (INCLUDING THE DESIGN AND THE TECHNICAL INFORMATION SHOWN HEREON) BELONGS TO AND IS THE COPYRIGHT OF CINTEC REINFORCEMENT SYSTEMS ("Cintec") AND ACCORDINGLY THE PERSON, FIRM, COMPANY OR ORGANIZATION TO WHOM THIS DRAWING HAS BEEN PROVIDED MAY NOT COPY, RE-PRODUCE OR MAKE ANY USE OF THE DRAWING (INCLUDING THE DESIGN OR ANY OF THE TECHNICAL INFORMATION SHOWN HEREON) OR SHOW OR OTHERWISE PROVIDE THE DRAWING (OR THE SAID DESIGN OR ANY OF THE TECHNICAL INFORMATION) TO ANY THIRD PARTY WITHOUT CINTEC'S SPECIFIC PERMISSION.



- DRILL HOLE DIA 50 mm (2")
- SOCK LENGTH 160 mm (6 1/4")
- OVERSIZED SOCK TO FIT 150 mm (6") DIA HOLE



NOTE:

ALL STEEL TO BE STAINLESS S304 QUALITY

- DRILL HOLE DIA 38 mm (1 1/2")
- SOCK LENGTH 160 mm (6 1/4")
- SOCK TO FIT 38 mm (1 1/2") DIA HOLE



Engineered Grout Injection Anchors by:
Cintec Reinforcement Systems
 Tel: 1-410-761-0765
 1-613-225-3381
 Fax: 1-613-224-9042
 E-mail: solutions@cintec.com

Drawing Title:

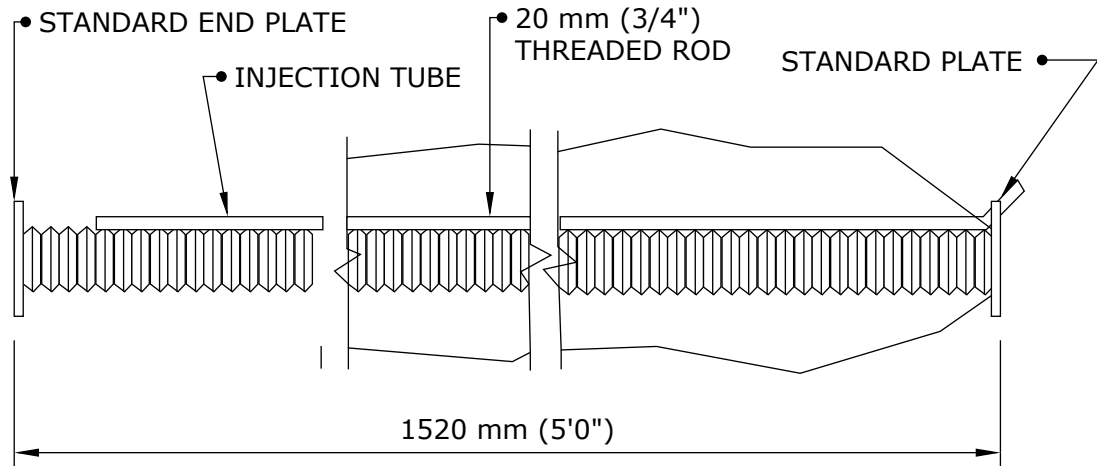
CINTEC ANCHORS

CINTEC

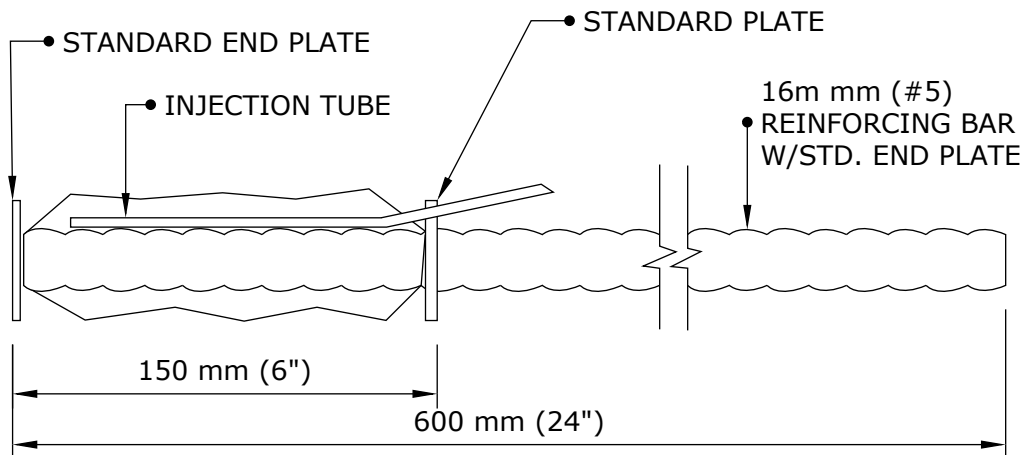
REINFORCEMENT SYSTEMS

www.cintec.com

NOTICE: THIS DRAWING (INCLUDING THE DESIGN AND THE TECHNICAL INFORMATION SHOWN HEREON) BELONGS TO AND IS THE COPYRIGHT OF CINTEC REINFORCEMENT SYSTEMS ("Cintec") AND ACCORDINGLY THE PERSON, FIRM, COMPANY OR ORGANIZATION TO WHOM THIS DRAWING HAS BEEN PROVIDED MAY NOT COPY, RE-PRODUCE OR MAKE ANY USE OF THE DRAWING (INCLUDING THE DESIGN OR ANY OF THE TECHNICAL INFORMATION SHOWN HEREON) OR SHOW OR OTHERWISE PROVIDE THE DRAWING (OR THE SAID DESIGN OR ANY OF THE TECHNICAL INFORMATION) TO ANY THIRD PARTY WITHOUT CINTEC'S SPECIFIC PERMISSION.



- OVERSIZED SOCK TO FIT 200 mm (8") DIA HOLE, SOCKED FULL LENGTH



- DRILL HOLE DIA 50 mm (2")
 - OVERSIZED SOCK TO FIT 150 mm (6") DIA HOLE, SOCKED FULL LENGTH 150 mm (6")

NOTE:

ALL STEEL TO BE STAINLESS S304 QUALITY



Engineered Grout Injection Anchors by:
Cintec Reinforcement Systems
 Tel: 1-410-761-0765
 1-613-225-3381
 Fax: 1-613-224-9042
 E-mail: solutions@cintec.com

Drawing Title:

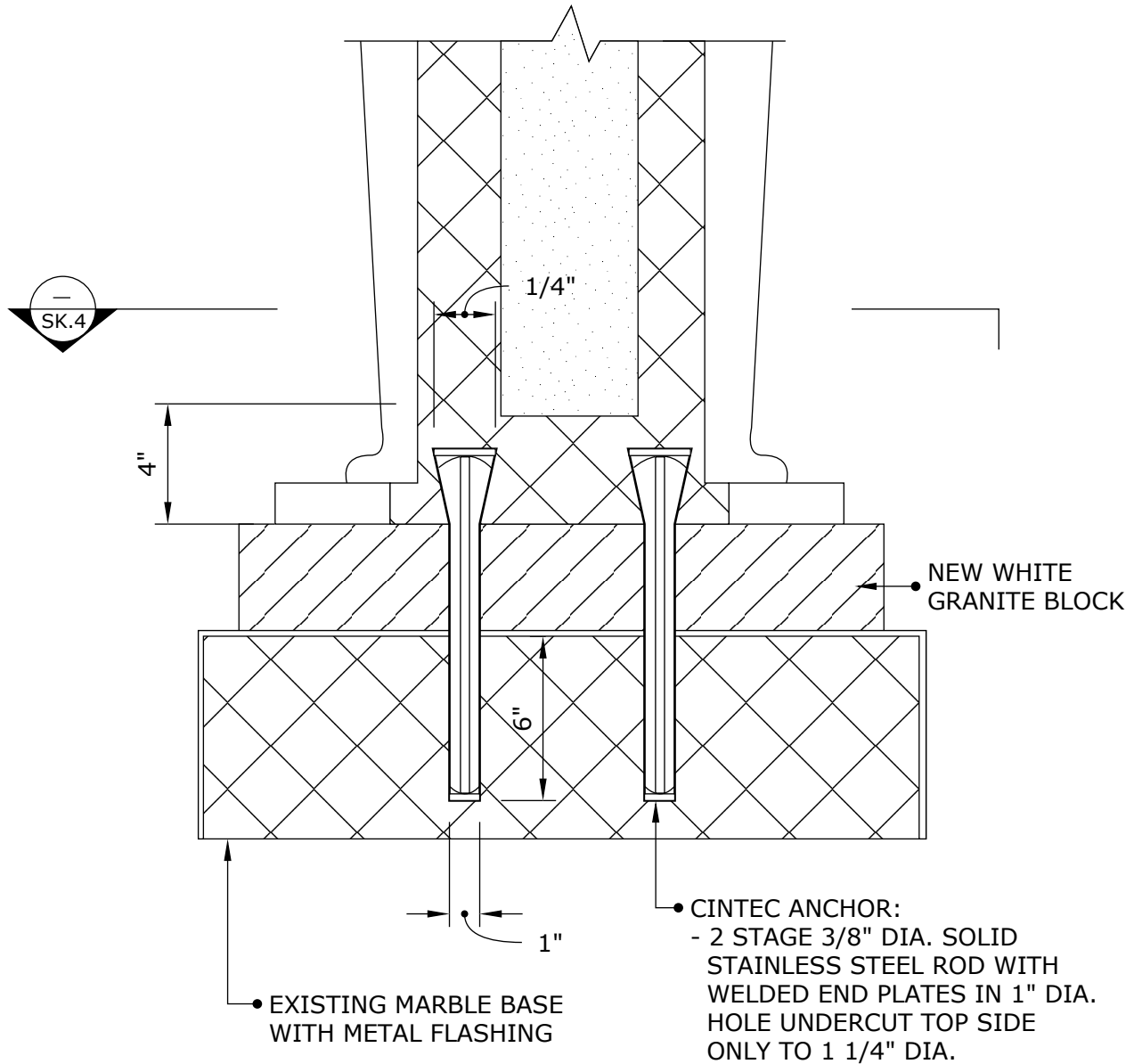
CINTEC ANCHORS

CINTEC

REINFORCEMENT SYSTEMS

www.cintec.com

NOTICE: THIS DRAWING (INCLUDING THE DESIGN AND THE TECHNICAL INFORMATION SHOWN HEREON) BELONGS TO AND IS THE COPYRIGHT OF CINTEC REINFORCEMENT SYSTEMS ("Cintec") AND ACCORDINGLY THE PERSON, FIRM, COMPANY OR ORGANIZATION TO WHOM THIS DRAWING HAS BEEN PROVIDED MAY NOT COPY, RE-PRODUCE OR MAKE ANY USE OF THE DRAWING (INCLUDING THE DESIGN OR ANY OF THE TECHNICAL INFORMATION SHOWN HEREON) OR SHOW OR OTHERWISE PROVIDE THE DRAWING (OR THE SAID DESIGN OR ANY OF THE TECHNICAL INFORMATION) TO ANY THIRD PARTY WITHOUT CINTEC'S SPECIFIC PERMISSION.



Engineered Grout Injection Anchors by:
Cintec Reinforcement Systems
Tel: 1-410-761-0765
1-613-225-3381
Fax: 1-613-224-9042
E-mail: solutions@cintec.com

Drawing Title:

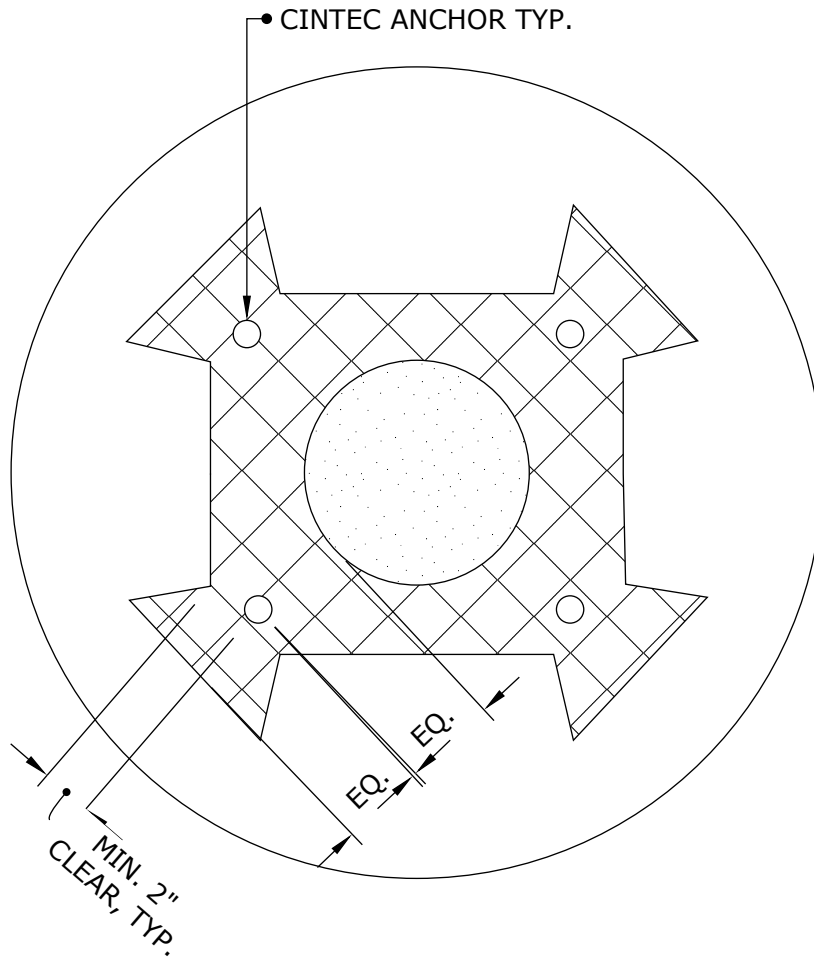
**SECTION THROUGH
MARBLE URNS**

CINTEC

REINFORCEMENT SYSTEMS

www.cintec.com

NOTICE: THIS DRAWING (INCLUDING THE DESIGN AND THE TECHNICAL INFORMATION SHOWN HEREON) BELONGS TO AND IS THE COPYRIGHT OF CINTEC REINFORCEMENT SYSTEMS ("Cintec") AND ACCORDINGLY THE PERSON, FIRM, COMPANY OR ORGANIZATION TO WHOM THIS DRAWING HAS BEEN PROVIDED MAY NOT COPY, RE-PRODUCE OR MAKE ANY USE OF THE DRAWING (INCLUDING THE DESIGN OR ANY OF THE TECHNICAL INFORMATION SHOWN HEREON) OR SHOW OR OTHERWISE PROVIDE THE DRAWING (OR THE SAID DESIGN OR ANY OF THE TECHNICAL INFORMATION) TO ANY THIRD PARTY WITHOUT CINTEC'S SPECIFIC PERMISSION.



CINTEC
REINFORCEMENT SYSTEMS
www.cintec.com

Engineered Grout Injection Anchors by:
Cintec Reinforcement Systems
Tel: 1-410-761-0765
1-613-225-3381
Fax: 1-613-224-9042
E-mail: solutions@cintec.com

Drawing Title:

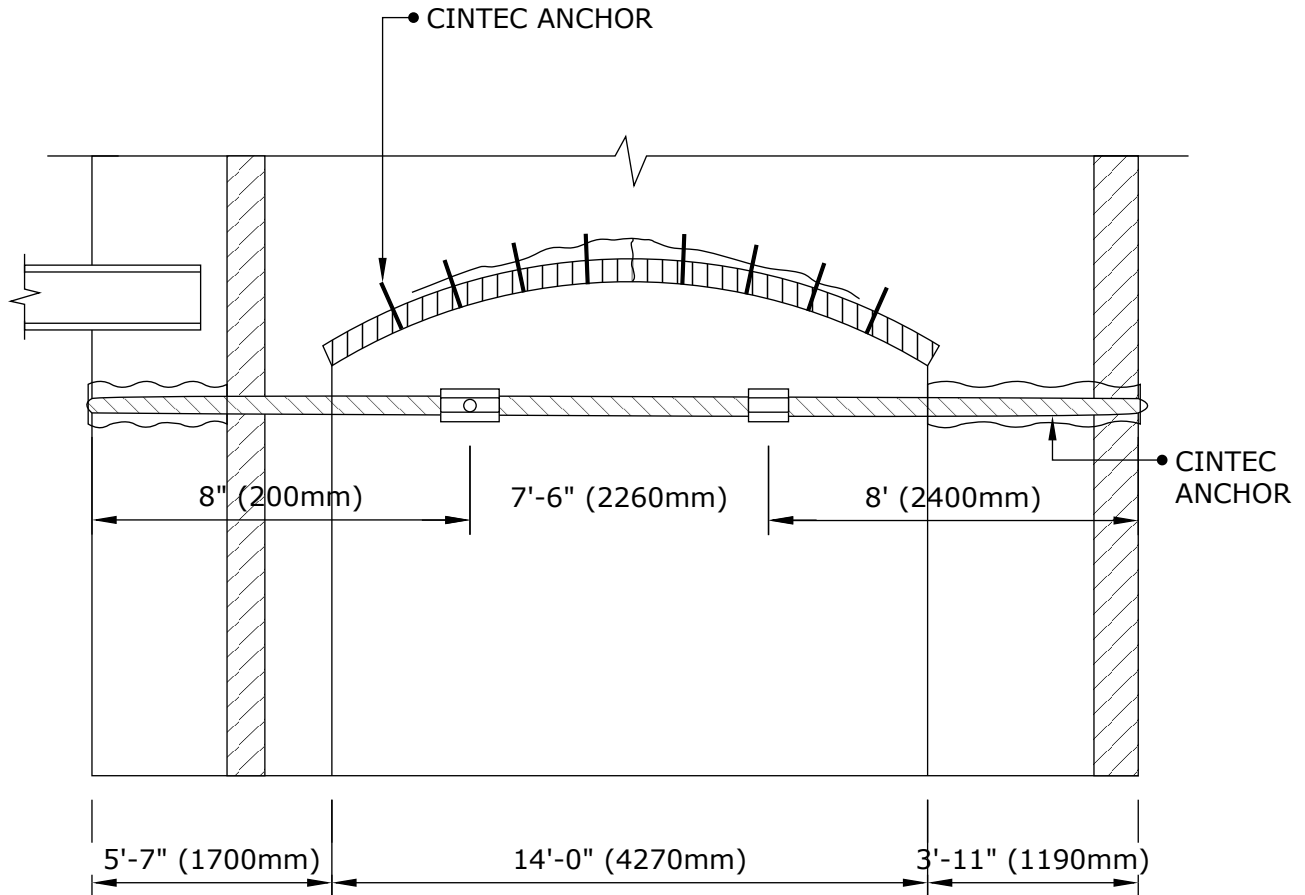
**SECTION THROUGH
MARBLE URNS PLAN**

CINTEC

REINFORCEMENT SYSTEMS

www.cintec.com

NOTICE: THIS DRAWING (INCLUDING THE DESIGN AND THE TECHNICAL INFORMATION SHOWN HEREON) BELONGS TO AND IS THE COPYRIGHT OF CINTEC REINFORCEMENT SYSTEMS ("Cintec") AND ACCORDINGLY THE PERSON, FIRM, COMPANY OR ORGANIZATION TO WHOM THIS DRAWING HAS BEEN PROVIDED MAY NOT COPY, RE-PRODUCE OR MAKE ANY USE OF THE DRAWING (INCLUDING THE DESIGN OR ANY OF THE TECHNICAL INFORMATION SHOWN HEREON) OR SHOW OR OTHERWISE PROVIDE THE DRAWING (OR THE SAID DESIGN OR ANY OF THE TECHNICAL INFORMATION) TO ANY THIRD PARTY WITHOUT CINTEC'S SPECIFIC PERMISSION.



Engineered Grout Injection Anchors by:
Cintec Reinforcement Systems
 Tel: 1-410-761-0765
 1-613-225-3381
 Fax: 1-613-224-9042
 E-mail: solutions@cintec.com

Drawing Title:

ANCHOR LAYOUT

CINTEC

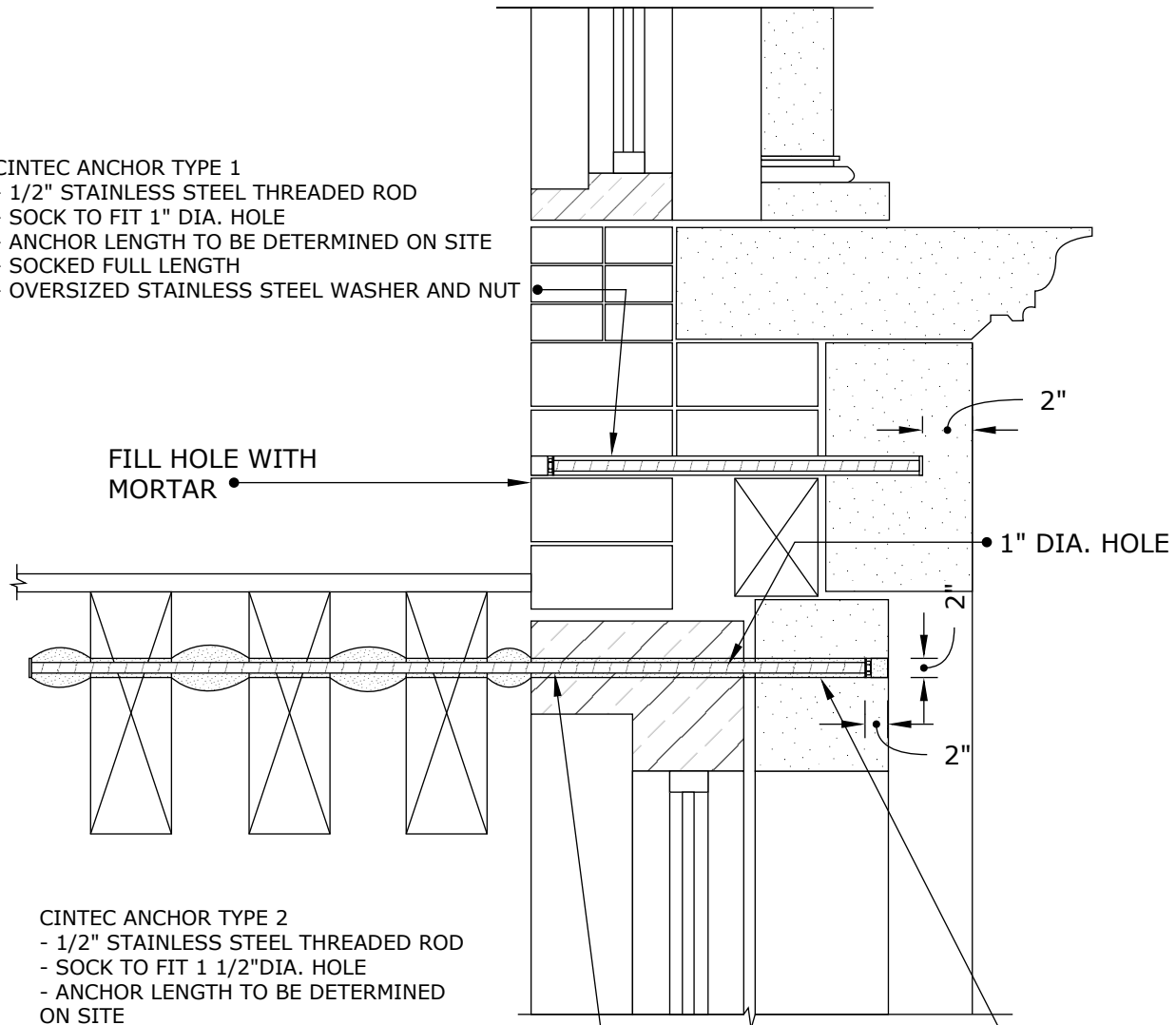
REINFORCEMENT SYSTEMS

www.cintec.com

NOTICE: THIS DRAWING (INCLUDING THE DESIGN AND THE TECHNICAL INFORMATION SHOWN HEREON) BELONGS TO AND IS THE COPYRIGHT OF CINTEC REINFORCEMENT SYSTEMS ("Cintec") AND ACCORDINGLY THE PERSON, FIRM, COMPANY OR ORGANIZATION TO WHOM THIS DRAWING HAS BEEN PROVIDED MAY NOT COPY, RE-PRODUCE OR MAKE ANY USE OF THE DRAWING (INCLUDING THE DESIGN OR ANY OF THE TECHNICAL INFORMATION SHOWN HEREON) OR SHOW OR OTHERWISE PROVIDE THE DRAWING (OR THE SAID DESIGN OR ANY OF THE TECHNICAL INFORMATION) TO ANY THIRD PARTY WITHOUT CINTEC'S SPECIFIC PERMISSION.

CINTEC ANCHOR TYPE 1

- 1/2" STAINLESS STEEL THREADED ROD
- SOCK TO FIT 1" DIA. HOLE
- ANCHOR LENGTH TO BE DETERMINED ON SITE
- SOCKED FULL LENGTH
- OVERSIZED STAINLESS STEEL WASHER AND NUT



FILL HOLE WITH MORTAR

2"

1" DIA. HOLE

2"

2"

CINTEC ANCHOR TYPE 2

- 1/2" STAINLESS STEEL THREADED ROD
- SOCK TO FIT 1 1/2" DIA. HOLE
- ANCHOR LENGTH TO BE DETERMINED ON SITE
- SOCKED FULL LENGTH
- OVERSIZED STAINLESS STEEL WASHER AND NUT

RETAIN AND REINSTALL STONE PLUG USING EPOXY. KEEP EPOXY 1/2" BACK FROM FACE OF STONE AND POINT ONCE EPOXY IS SET AND CURED.



Engineered Grout Injection Anchors by:
Cintec Reinforcement Systems
 Tel: 1-410-761-0765
 1-613-225-3381
 Fax: 1-613-224-9042
 E-mail: solutions@cintec.com

Drawing Title:

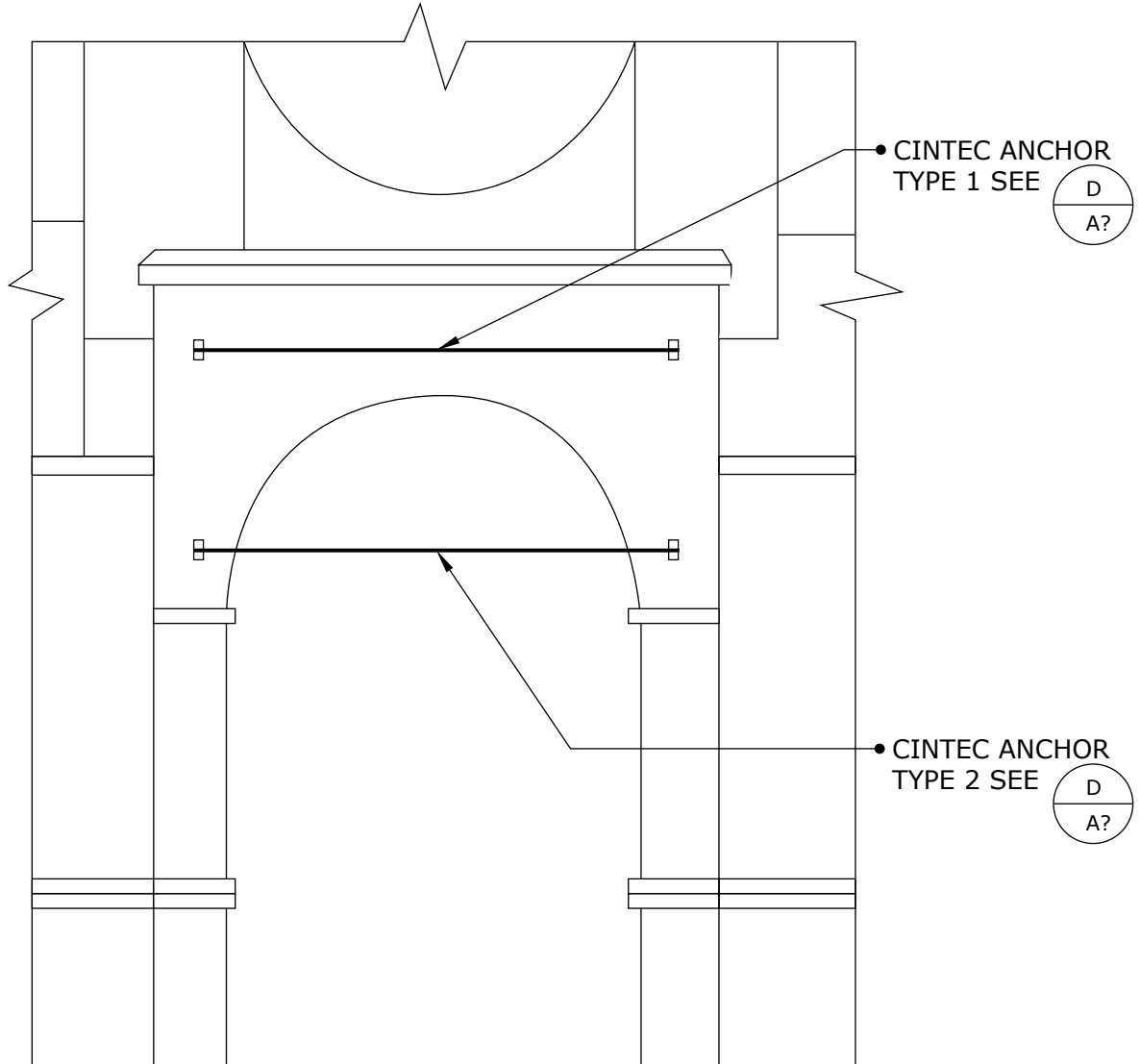
**CINTEC ANCHORS
 STONE STABILIZATION**

CINTEC

REINFORCEMENT SYSTEMS

www.cintec.com

NOTICE: THIS DRAWING (INCLUDING THE DESIGN AND THE TECHNICAL INFORMATION SHOWN HEREON) BELONGS TO AND IS THE COPYRIGHT OF CINTEC REINFORCEMENT SYSTEMS ("Cintec") AND ACCORDINGLY THE PERSON, FIRM, COMPANY OR ORGANIZATION TO WHOM THIS DRAWING HAS BEEN PROVIDED MAY NOT COPY, RE-PRODUCE OR MAKE ANY USE OF THE DRAWING (INCLUDING THE DESIGN OR ANY OF THE TECHNICAL INFORMATION SHOWN HEREON) OR SHOW OR OTHERWISE PROVIDE THE DRAWING (OR THE SAID DESIGN OR ANY OF THE TECHNICAL INFORMATION) TO ANY THIRD PARTY WITHOUT CINTEC'S SPECIFIC PERMISSION.



NOTES:

1. ANCHOR LENGTHS TO BE DETERMINED IN FIELD PRIOR TO ORDERING.



Engineered Grout Injection Anchors by:
Cintec Reinforcement Systems
Tel: 1-410-761-0765
1-613-225-3381
Fax: 1-613-224-9042
E-mail: solutions@cintec.com

Drawing Title:

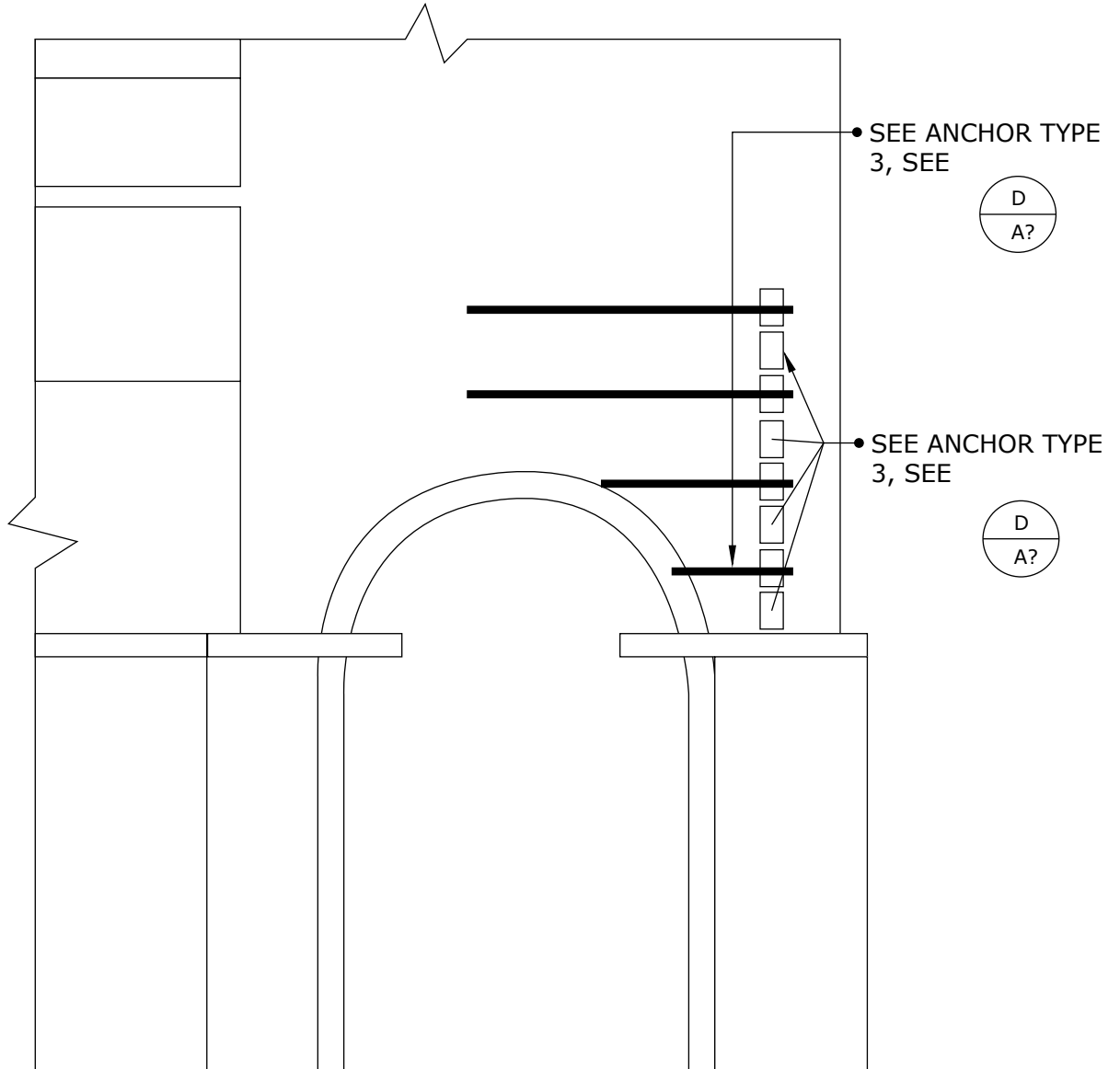
**PARTIAL EAST
ELEVATION**

CINTEC

REINFORCEMENT SYSTEMS

www.cintec.com

NOTICE: THIS DRAWING (INCLUDING THE DESIGN AND THE TECHNICAL INFORMATION SHOWN HEREON) BELONGS TO AND IS THE COPYRIGHT OF CINTEC REINFORCEMENT SYSTEMS ("Cintec") AND ACCORDINGLY THE PERSON, FIRM, COMPANY OR ORGANIZATION TO WHOM THIS DRAWING HAS BEEN PROVIDED MAY NOT COPY, RE-PRODUCE OR MAKE ANY USE OF THE DRAWING (INCLUDING THE DESIGN OR ANY OF THE TECHNICAL INFORMATION SHOWN HEREON) OR SHOW OR OTHERWISE PROVIDE THE DRAWING (OR THE SAID DESIGN OR ANY OF THE TECHNICAL INFORMATION) TO ANY THIRD PARTY WITHOUT CINTEC'S SPECIFIC PERMISSION.



NOTES:

1. ANCHOR LENGTHS TO BE DETERMINED IN FIELD PRIOR TO ORDERING.



Engineered Grout Injection Anchors by:
Cintec Reinforcement Systems
Tel: 1-410-761-0765
1-613-225-3381
Fax: 1-613-224-9042
E-mail: solutions@cintec.com

Drawing Title:

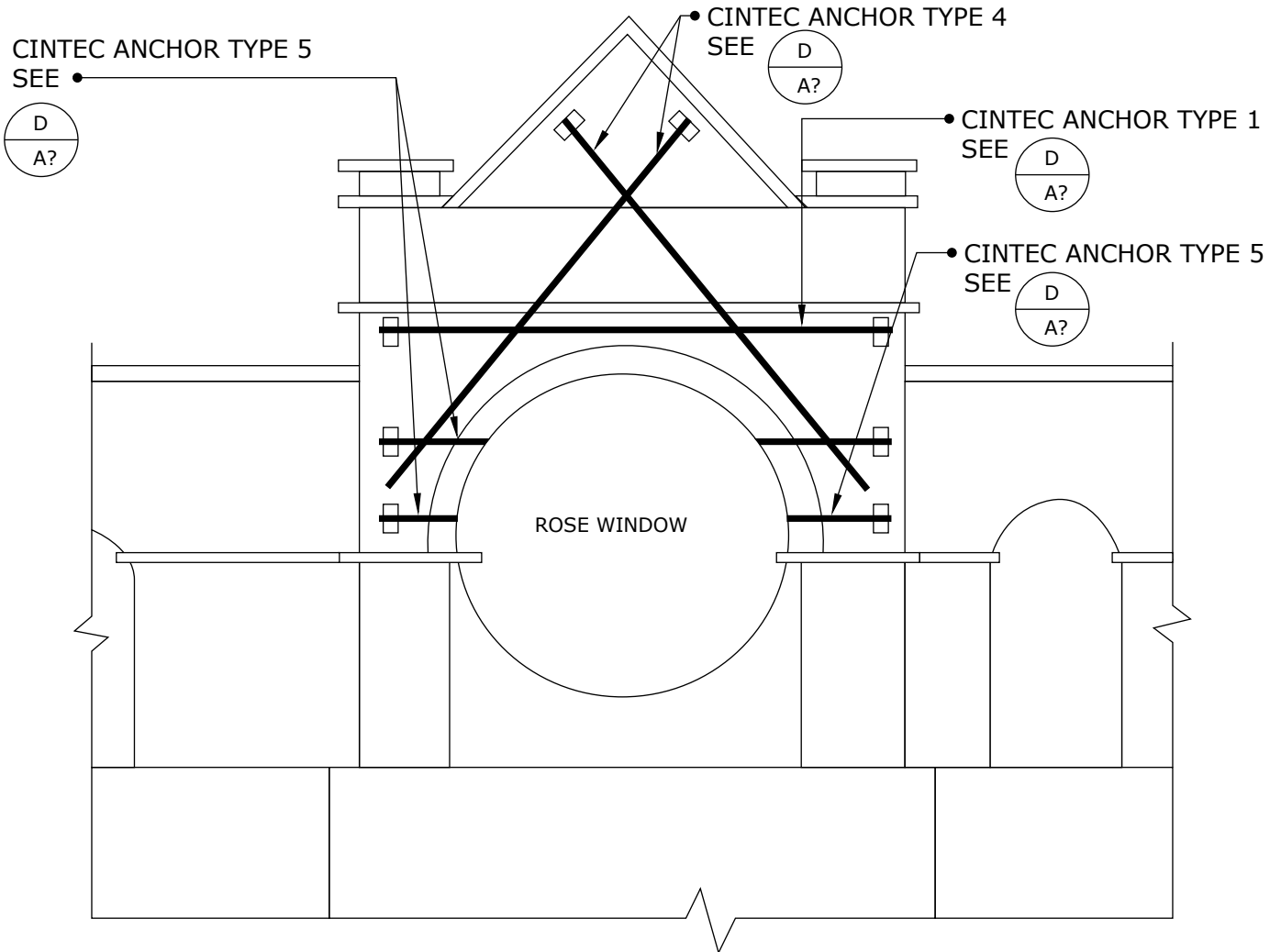
**PARTIAL EAST
ELEVATION**

CINTEC

REINFORCEMENT SYSTEMS

www.cintec.com

NOTICE: THIS DRAWING (INCLUDING THE DESIGN AND THE TECHNICAL INFORMATION SHOWN HEREON) BELONGS TO AND IS THE COPYRIGHT OF CINTEC REINFORCEMENT SYSTEMS ("Cintec") AND ACCORDINGLY THE PERSON, FIRM, COMPANY OR ORGANIZATION TO WHOM THIS DRAWING HAS BEEN PROVIDED MAY NOT COPY, RE-PRODUCE OR MAKE ANY USE OF THE DRAWING (INCLUDING THE DESIGN OR ANY OF THE TECHNICAL INFORMATION SHOWN HEREON) OR SHOW OR OTHERWISE PROVIDE THE DRAWING (OR THE SAID DESIGN OR ANY OF THE TECHNICAL INFORMATION) TO ANY THIRD PARTY WITHOUT CINTEC'S SPECIFIC PERMISSION.



NOTES:

1. ANCHOR LENGTHS TO BE DETERMINED IN FIELD PRIOR TO ORDERING.



Engineered Grout Injection Anchors by:
Cintec Reinforcement Systems
Tel: 1-410-761-0765
1-613-225-3381
Fax: 1-613-224-9042
E-mail: solutions@cintec.com

Drawing Title:

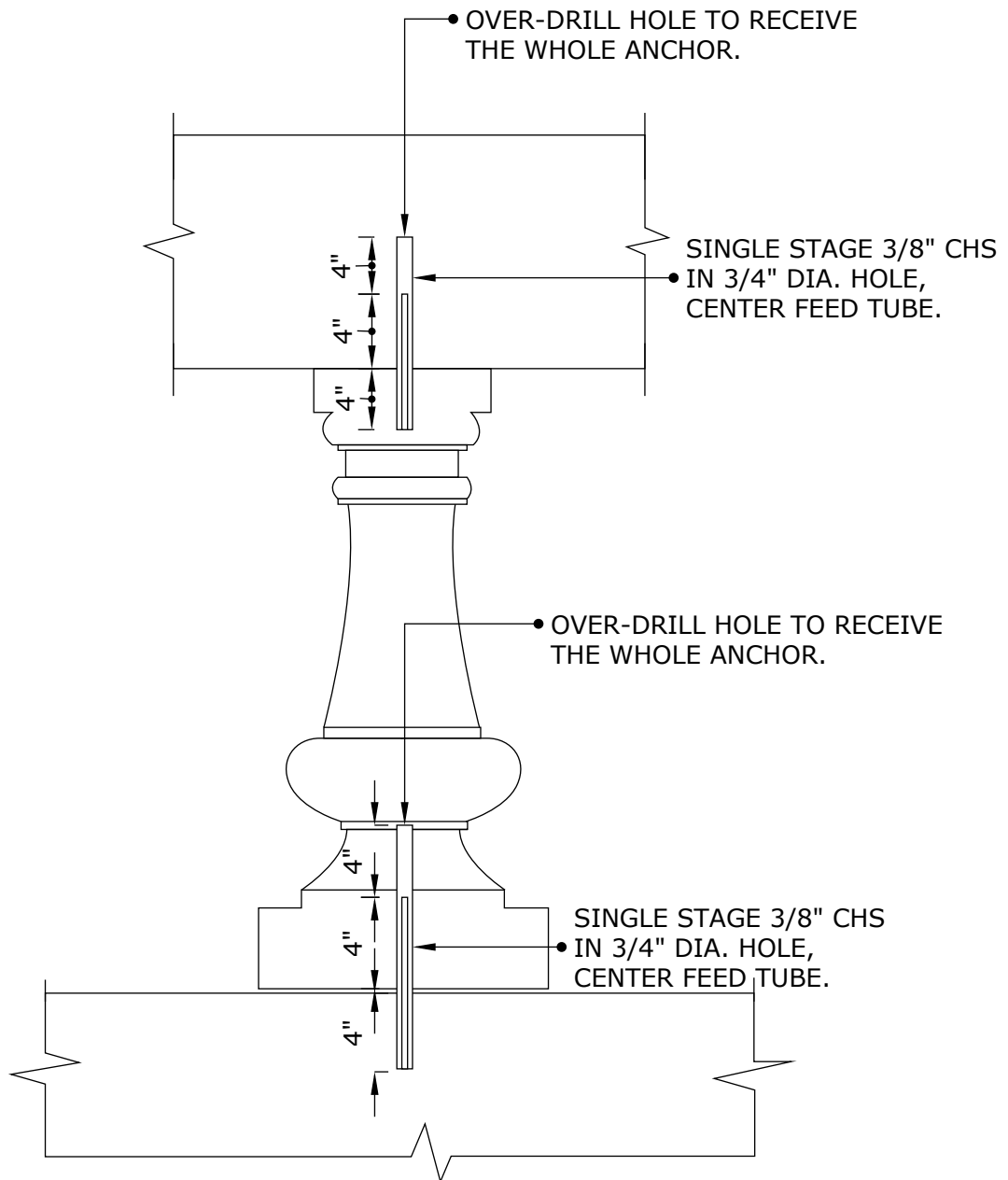
PARTIAL ELEVATION

CINTEC

REINFORCEMENT SYSTEMS

www.cintec.com

NOTICE: THIS DRAWING (INCLUDING THE DESIGN AND THE TECHNICAL INFORMATION SHOWN HEREON) BELONGS TO AND IS THE COPYRIGHT OF CINTEC REINFORCEMENT SYSTEMS ("Cintec") AND ACCORDINGLY THE PERSON, FIRM, COMPANY OR ORGANIZATION TO WHOM THIS DRAWING HAS BEEN PROVIDED MAY NOT COPY, RE-PRODUCE OR MAKE ANY USE OF THE DRAWING (INCLUDING THE DESIGN OR ANY OF THE TECHNICAL INFORMATION SHOWN HEREON) OR SHOW OR OTHERWISE PROVIDE THE DRAWING (OR THE SAID DESIGN OR ANY OF THE TECHNICAL INFORMATION) TO ANY THIRD PARTY WITHOUT CINTEC'S SPECIFIC PERMISSION.



Engineered Grout Injection Anchors by:
Cintec Reinforcement Systems
Tel: 1-410-761-0765
1-613-225-3381
Fax: 1-613-224-9042
E-mail: solutions@cintec.com

Drawing Title:

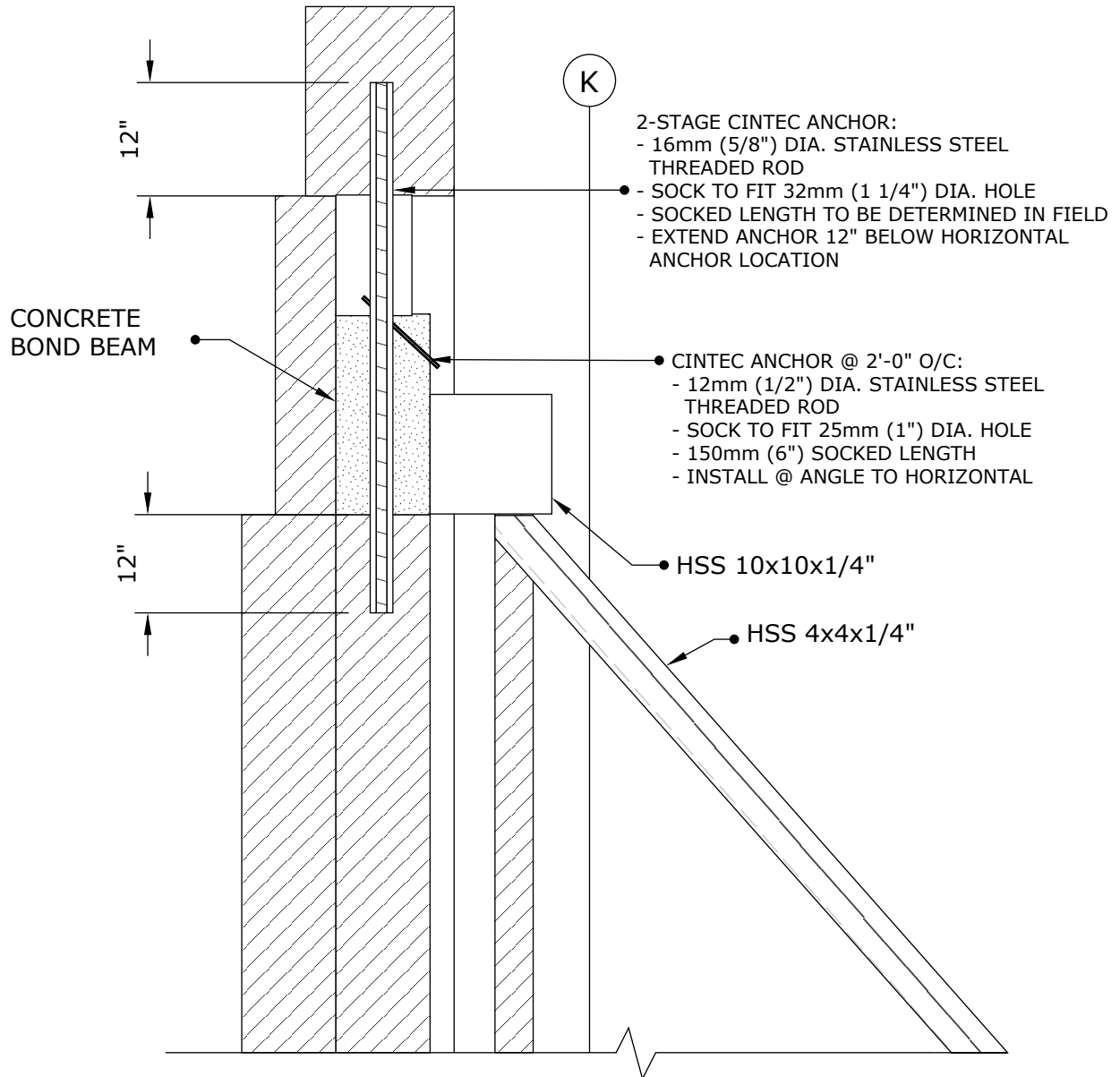
PARTIAL ELEVATION

CINTEC

REINFORCEMENT SYSTEMS

www.cintec.com

NOTICE: THIS DRAWING (INCLUDING THE DESIGN AND THE TECHNICAL INFORMATION SHOWN HEREON) BELONGS TO AND IS THE COPYRIGHT OF CINTEC REINFORCEMENT SYSTEMS ("Cintec") AND ACCORDINGLY THE PERSON, FIRM, COMPANY OR ORGANIZATION TO WHOM THIS DRAWING HAS BEEN PROVIDED MAY NOT COPY, RE-PRODUCE OR MAKE ANY USE OF THE DRAWING (INCLUDING THE DESIGN OR ANY OF THE TECHNICAL INFORMATION SHOWN HEREON) OR SHOW OR OTHERWISE PROVIDE THE DRAWING (OR THE SAID DESIGN OR ANY OF THE TECHNICAL INFORMATION) TO ANY THIRD PARTY WITHOUT CINTEC'S SPECIFIC PERMISSION.



Engineered Grout Injection Anchors by:
Cintec Reinforcement Systems
 Tel: 1-410-761-0765
 1-613-225-3381
 Fax: 1-613-224-9042
 E-mail: solutions@cintec.com

Drawing Title:

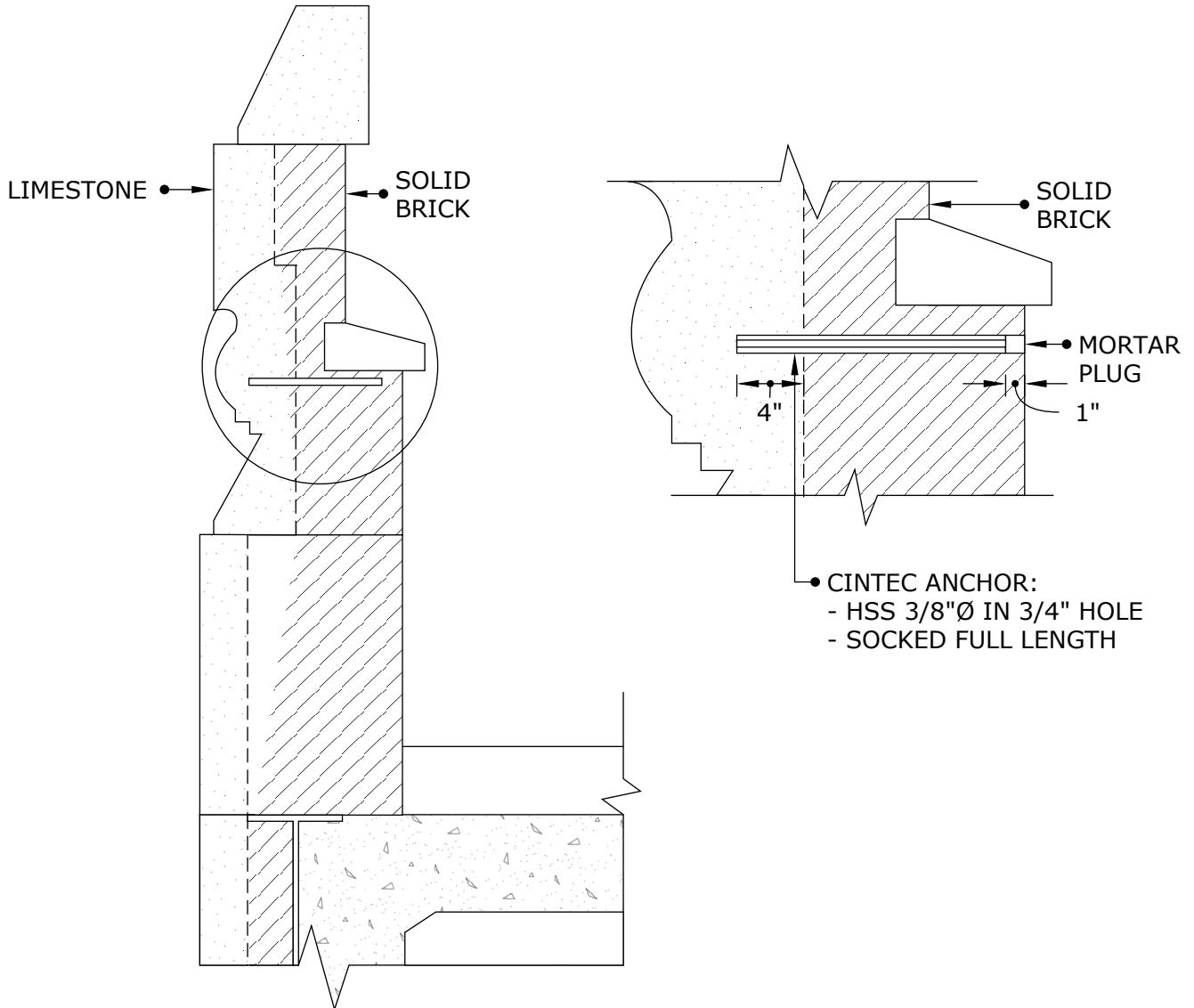
**PARAPET WALL
 SUPPORT ANCHORS**

CINTEC

REINFORCEMENT SYSTEMS

www.cintec.com

NOTICE: THIS DRAWING (INCLUDING THE DESIGN AND THE TECHNICAL INFORMATION SHOWN HEREON) BELONGS TO AND IS THE COPYRIGHT OF CINTEC REINFORCEMENT SYSTEMS ("Cintec") AND ACCORDINGLY THE PERSON, FIRM, COMPANY OR ORGANIZATION TO WHOM THIS DRAWING HAS BEEN PROVIDED MAY NOT COPY, RE-PRODUCE OR MAKE ANY USE OF THE DRAWING (INCLUDING THE DESIGN OR ANY OF THE TECHNICAL INFORMATION SHOWN HEREON) OR SHOW OR OTHERWISE PROVIDE THE DRAWING (OR THE SAID DESIGN OR ANY OF THE TECHNICAL INFORMATION) TO ANY THIRD PARTY WITHOUT CINTEC'S SPECIFIC PERMISSION.



Engineered Grout Injection Anchors by:
Cintec Reinforcement Systems
Tel: 1-410-761-0765
1-613-225-3381
Fax: 1-613-224-9042
E-mail: solutions@cintec.com

Drawing Title:

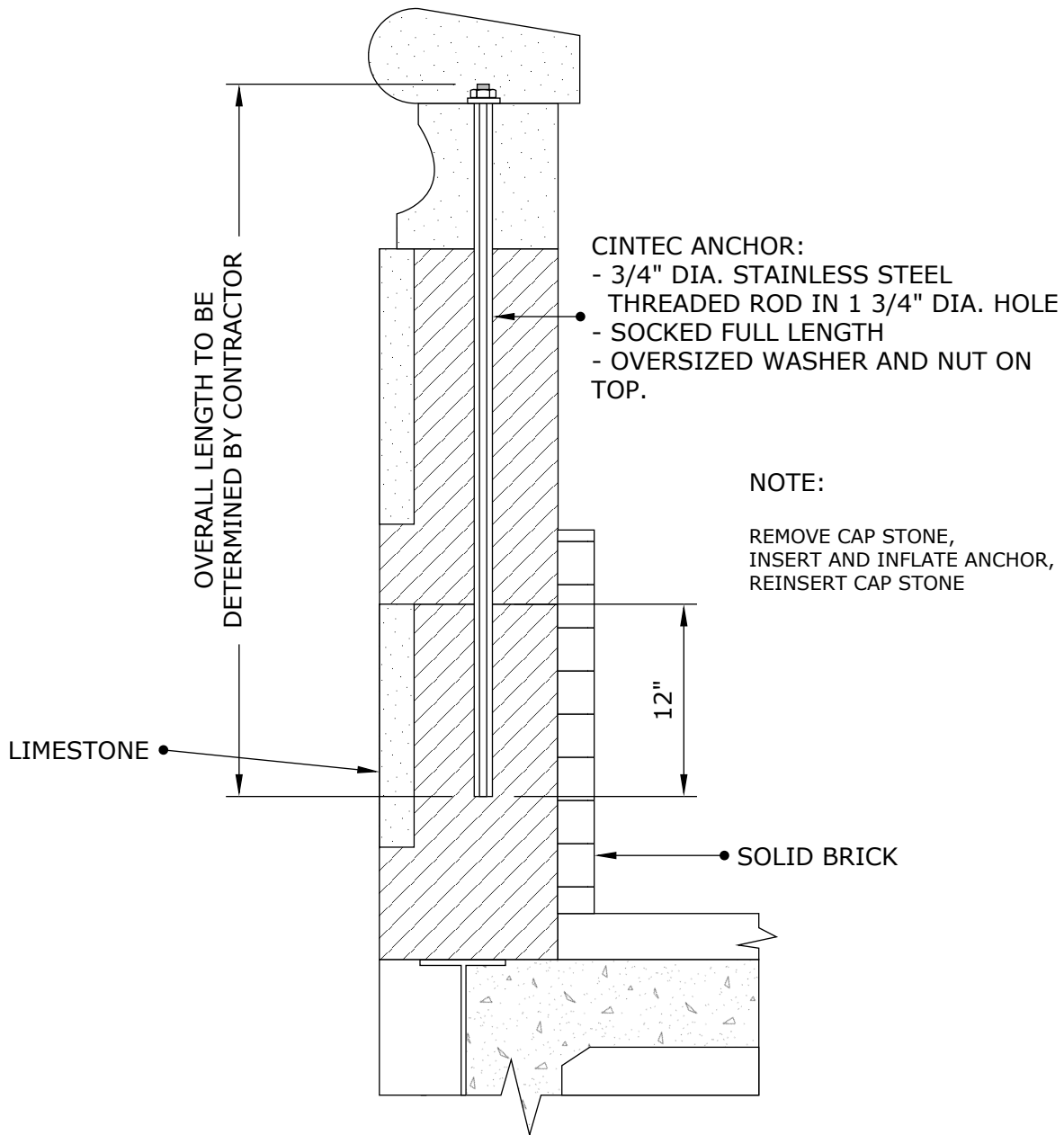
PARAPET ANCHOR

CINTEC

REINFORCEMENT SYSTEMS

www.cintec.com

NOTICE: THIS DRAWING (INCLUDING THE DESIGN AND THE TECHNICAL INFORMATION SHOWN HEREON) BELONGS TO AND IS THE COPYRIGHT OF CINTEC REINFORCEMENT SYSTEMS ("Cintec") AND ACCORDINGLY THE PERSON, FIRM, COMPANY OR ORGANIZATION TO WHOM THIS DRAWING HAS BEEN PROVIDED MAY NOT COPY, RE-PRODUCE OR MAKE ANY USE OF THE DRAWING (INCLUDING THE DESIGN OR ANY OF THE TECHNICAL INFORMATION SHOWN HEREON) OR SHOW OR OTHERWISE PROVIDE THE DRAWING (OR THE SAID DESIGN OR ANY OF THE TECHNICAL INFORMATION) TO ANY THIRD PARTY WITHOUT CINTEC'S SPECIFIC PERMISSION.



Engineered Grout Injection Anchors by:
Cintec Reinforcement Systems
Tel: 1-410-761-0765
1-613-225-3381
Fax: 1-613-224-9042
E-mail: solutions@cintec.com

Drawing Title:

PARAPET STITCHING

CINTEC

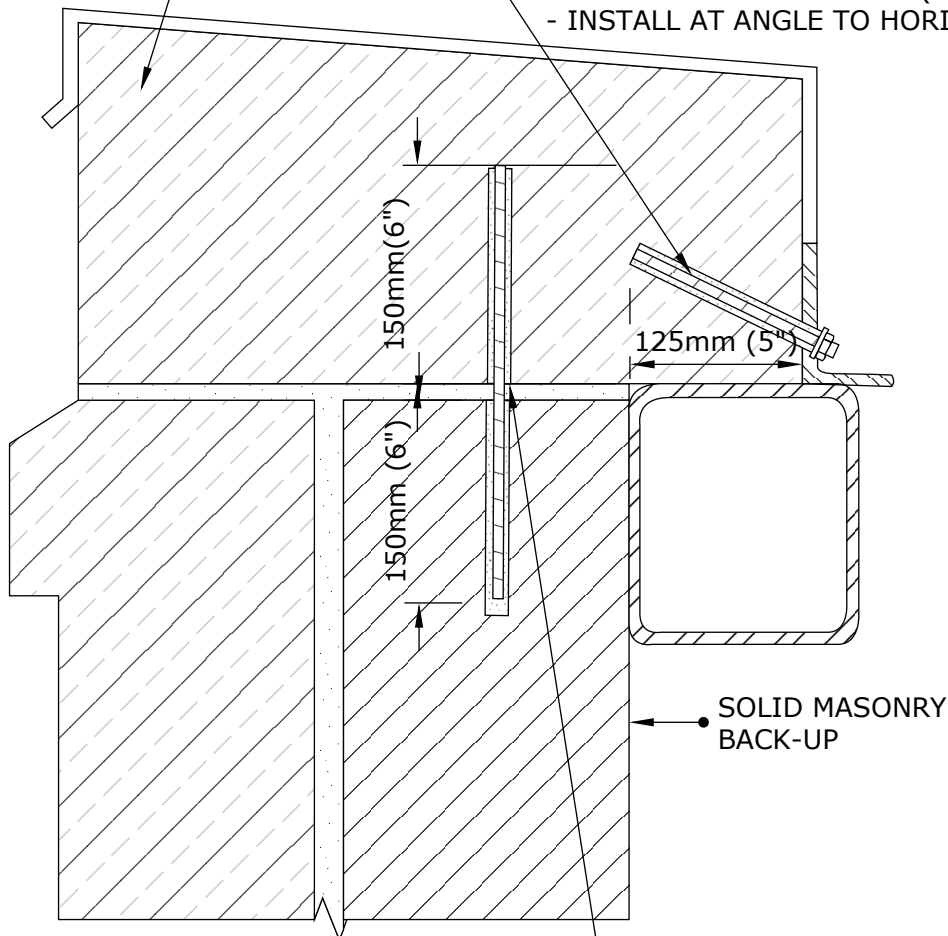
REINFORCEMENT SYSTEMS

www.cintec.com

NOTICE: THIS DRAWING (INCLUDING THE DESIGN AND THE TECHNICAL INFORMATION SHOWN HEREON) BELONGS TO AND IS THE COPYRIGHT OF CINTEC REINFORCEMENT SYSTEMS ("Cintec") AND ACCORDINGLY THE PERSON, FIRM, COMPANY OR ORGANIZATION TO WHOM THIS DRAWING HAS BEEN PROVIDED MAY NOT COPY, RE-PRODUCE OR MAKE ANY USE OF THE DRAWING (INCLUDING THE DESIGN OR ANY OF THE TECHNICAL INFORMATION SHOWN HEREON) OR SHOW OR OTHERWISE PROVIDE THE DRAWING (OR THE SAID DESIGN OR ANY OF THE TECHNICAL INFORMATION) TO ANY THIRD PARTY WITHOUT CINTEC'S SPECIFIC PERMISSION.

COPING STONE
12"x18"x5' LG.
MIN. 2 RODS PER
STONE

- CINTEC ANCHOR:
 - 10mm (3/8") DIA. STAINLESS STEEL ROD
 - SOCK TO FIT 25mm (1") DIA. HOLE
 - SOCKED LENGTH 125mm (5")
 - INSTALL AT ANGLE TO HORIZONTAL



- CINTEC 2-STAGE ANCHOR:
 - 16mm DIA. STAINLESS STEEL THREADED ROD
 - SOCK TO FIT 32mm DIA. HOLE
 - TOTAL SOCKED LENGTH 300mm (12")



Engineered Grout Injection Anchors by:
Cintec Reinforcement Systems
Tel: 1-410-761-0765
1-613-225-3381
Fax: 1-613-224-9042
E-mail: solutions@cintec.com

Drawing Title:

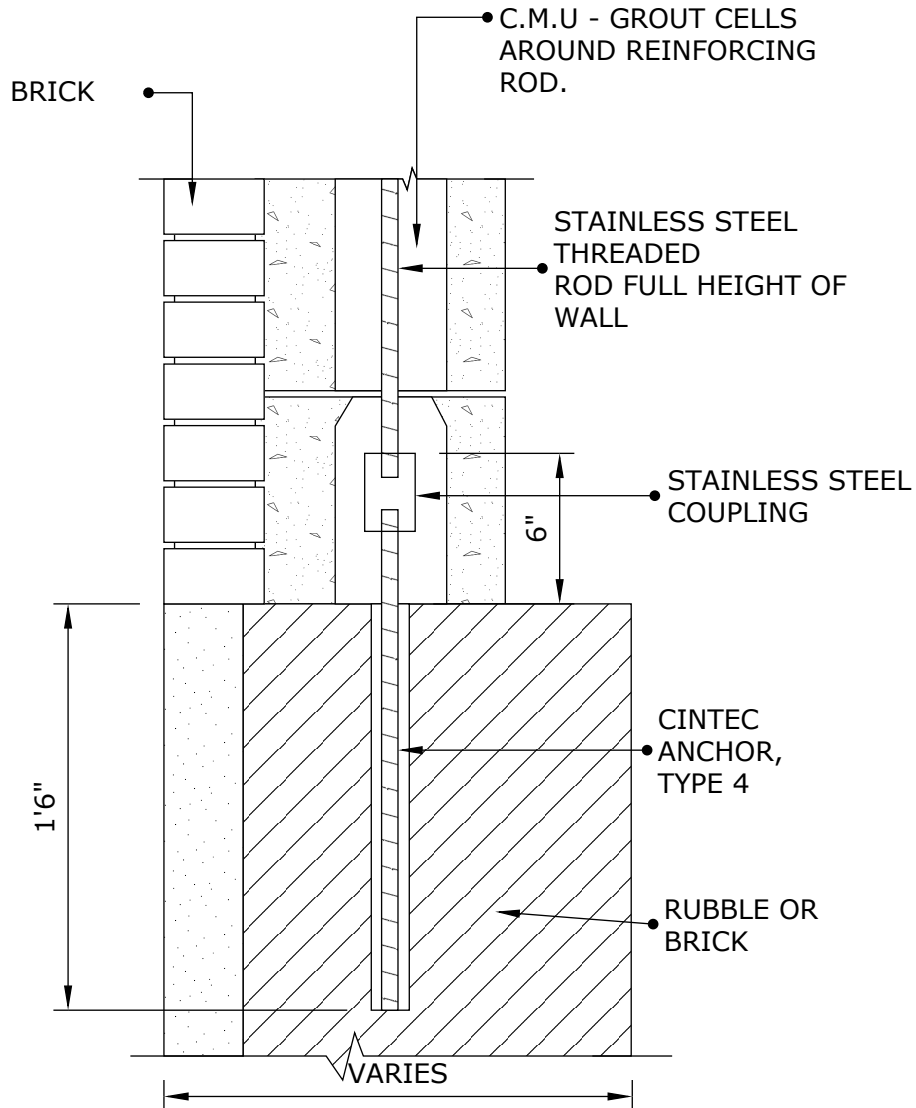
**COPING STONE
ANCHORS**

CINTEC

REINFORCEMENT SYSTEMS

www.cintec.com

NOTICE: THIS DRAWING (INCLUDING THE DESIGN AND THE TECHNICAL INFORMATION SHOWN HEREON) BELONGS TO AND IS THE COPYRIGHT OF CINTEC REINFORCEMENT SYSTEMS ("Cintec") AND ACCORDINGLY THE PERSON, FIRM, COMPANY OR ORGANIZATION TO WHOM THIS DRAWING HAS BEEN PROVIDED MAY NOT COPY, RE-PRODUCE OR MAKE ANY USE OF THE DRAWING (INCLUDING THE DESIGN OR ANY OF THE TECHNICAL INFORMATION SHOWN HEREON) OR SHOW OR OTHERWISE PROVIDE THE DRAWING (OR THE SAID DESIGN OR ANY OF THE TECHNICAL INFORMATION) TO ANY THIRD PARTY WITHOUT CINTEC'S SPECIFIC PERMISSION.



NOTES:

1. FOR ANCHOR DESCRIPTIONS SEE SK-08
2. CLIENT TO CHECK TOTAL ANCHOR LENGTH PRIOR TO ORDERING



Engineered Grout Injection Anchors by:
Cintec Reinforcement Systems
Tel: 1-410-761-0765
1-613-225-3381
Fax: 1-613-224-9042
E-mail: solutions@cintec.com

Drawing Title:

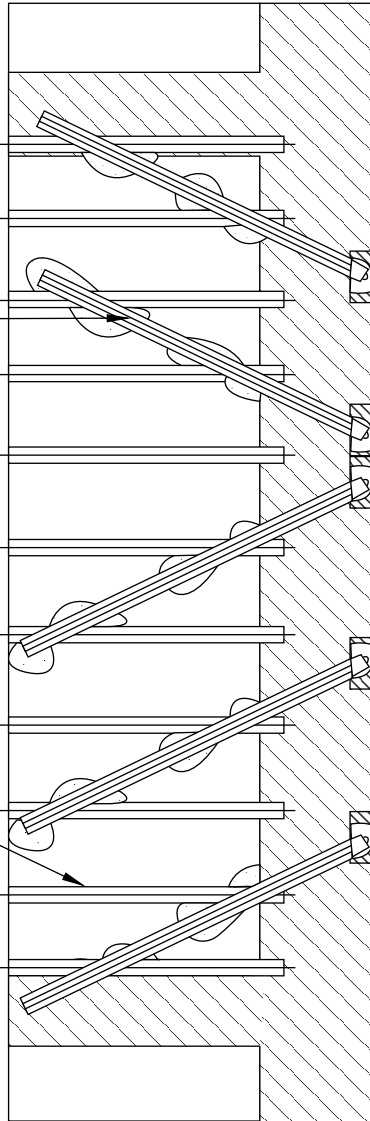
COPING STONE ANCHORS

NOTICE: THIS DRAWING (INCLUDING THE DESIGN AND THE TECHNICAL INFORMATION SHOWN HEREON) BELONGS TO AND IS THE COPYRIGHT OF CINTEC REINFORCEMENT SYSTEMS ("Cintec") AND ACCORDINGLY THE PERSON, FIRM, COMPANY OR ORGANIZATION TO WHOM THIS DRAWING HAS BEEN PROVIDED MAY NOT COPY, RE-PRODUCE OR MAKE ANY USE OF THE DRAWING (INCLUDING THE DESIGN OR ANY OF THE TECHNICAL INFORMATION SHOWN HEREON) OR SHOW OR OTHERWISE PROVIDE THE DRAWING (OR THE SAID DESIGN OR ANY OF THE TECHNICAL INFORMATION) TO ANY THIRD PARTY WITHOUT CINTEC'S SPECIFIC PERMISSION.

CINTEC ANCHOR TYP.
 SEE DETAIL



2"x10" @ 16" o/c TYP.



FLOOR JOIST PARTIAL
 PLAN



Engineered Grout Injection Anchors by:
Cintec Reinforcement Systems
 Tel: 1-410-761-0765
 1-613-225-3381
 Fax: 1-613-224-9042
 E-mail: solutions@cintec.com

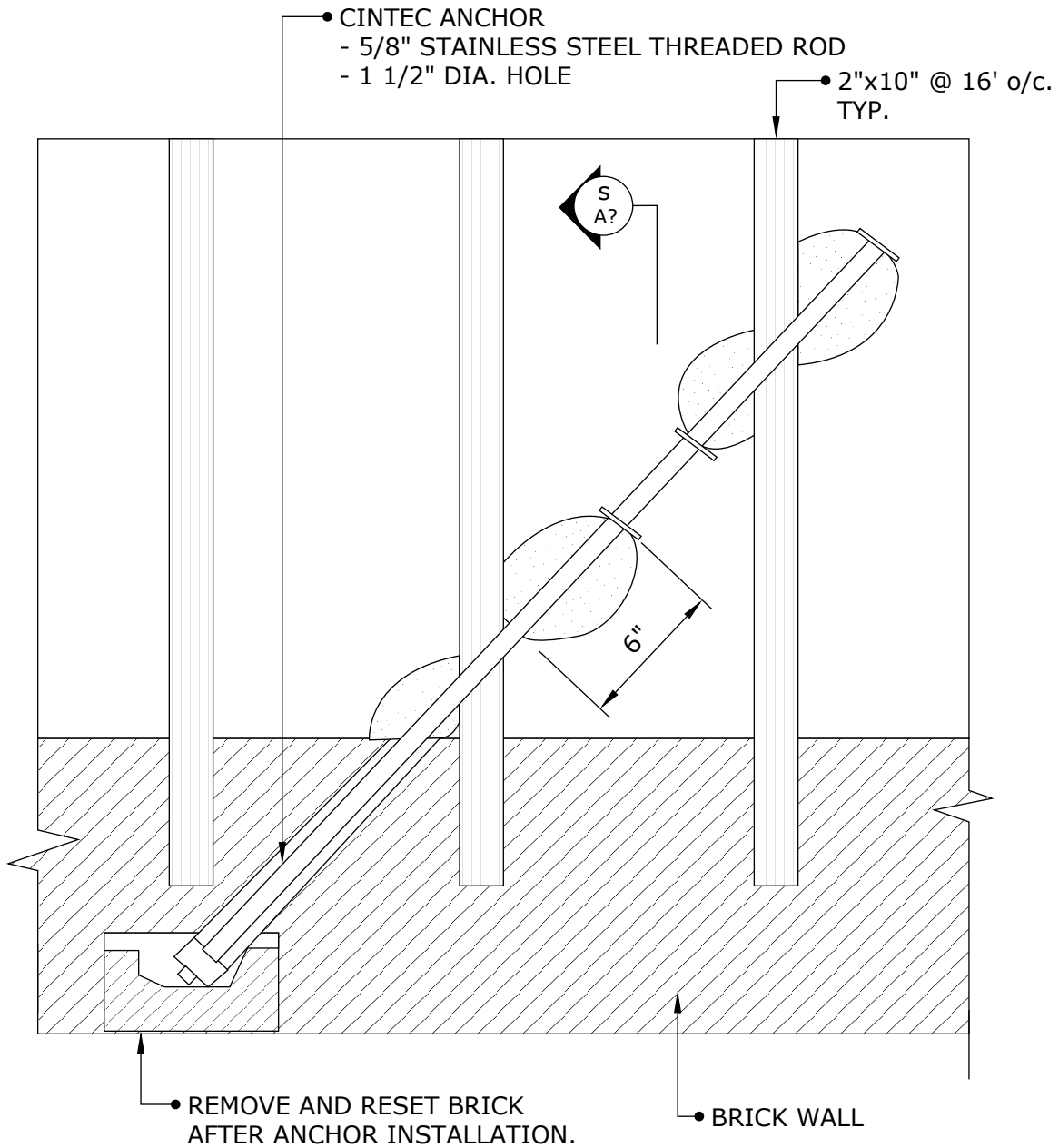
Drawing Title:
**BRICK WALL TO WOOD
 FLOOR DIAPHRAGM
 STABILIZATION**

CINTEC

REINFORCEMENT SYSTEMS

www.cintec.com

NOTICE: THIS DRAWING (INCLUDING THE DESIGN AND THE TECHNICAL INFORMATION SHOWN HEREON) BELONGS TO AND IS THE COPYRIGHT OF CINTEC REINFORCEMENT SYSTEMS ("Cintec") AND ACCORDINGLY THE PERSON, FIRM, COMPANY OR ORGANIZATION TO WHOM THIS DRAWING HAS BEEN PROVIDED MAY NOT COPY, RE-PRODUCE OR MAKE ANY USE OF THE DRAWING (INCLUDING THE DESIGN OR ANY OF THE TECHNICAL INFORMATION SHOWN HEREON) OR SHOW OR OTHERWISE PROVIDE THE DRAWING (OR THE SAID DESIGN OR ANY OF THE TECHNICAL INFORMATION) TO ANY THIRD PARTY WITHOUT CINTEC'S SPECIFIC PERMISSION.



Engineered Grout Injection Anchors by:
Cintec Reinforcement Systems
Tel: 1-410-761-0765
1-613-225-3381
Fax: 1-613-224-9042
E-mail: solutions@cintec.com

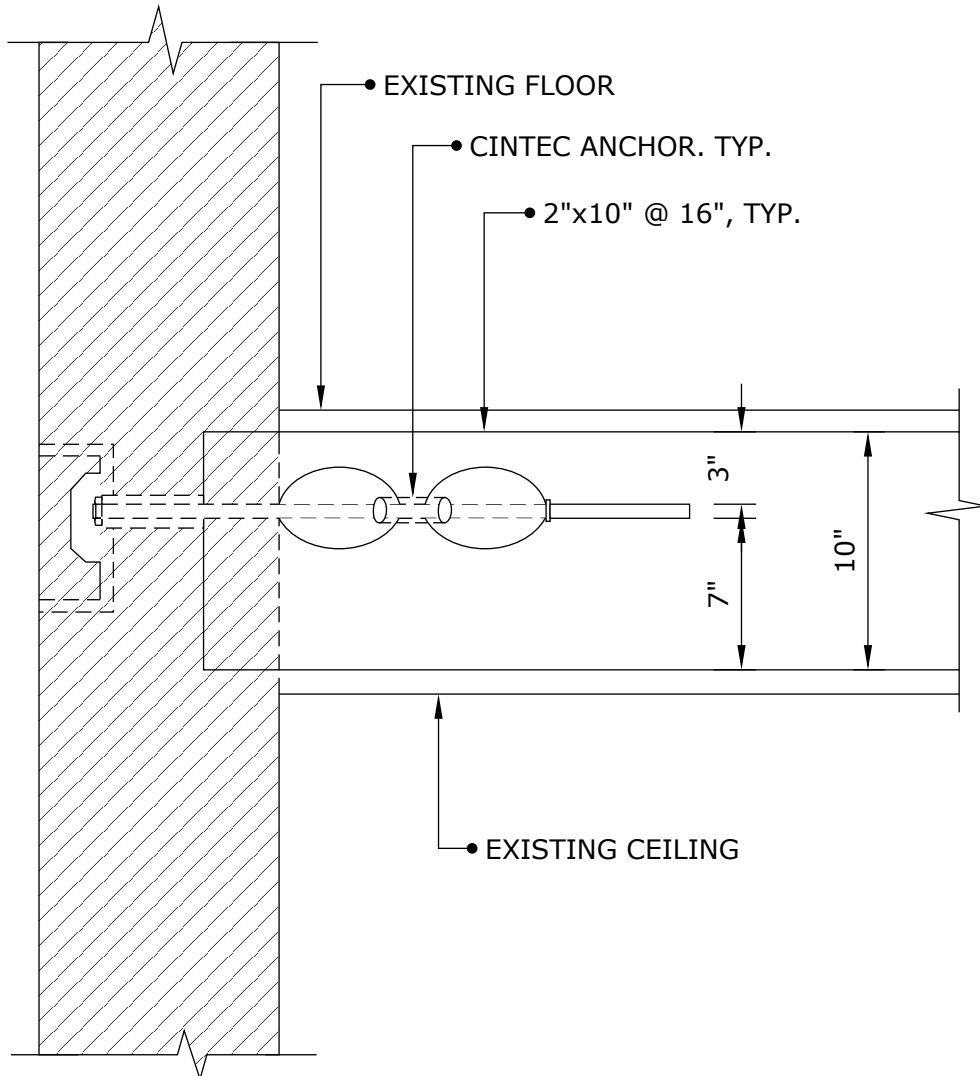
Drawing Title:
**BRICK WALL TO WOOD
FLOOR DIAPHRAGM
STABILIZATION**

CINTEC

REINFORCEMENT SYSTEMS

www.cintec.com

NOTICE: THIS DRAWING (INCLUDING THE DESIGN AND THE TECHNICAL INFORMATION SHOWN HEREON) BELONGS TO AND IS THE COPYRIGHT OF CINTEC REINFORCEMENT SYSTEMS ("Cintec") AND ACCORDINGLY THE PERSON, FIRM, COMPANY OR ORGANIZATION TO WHOM THIS DRAWING HAS BEEN PROVIDED MAY NOT COPY, RE-PRODUCE OR MAKE ANY USE OF THE DRAWING (INCLUDING THE DESIGN OR ANY OF THE TECHNICAL INFORMATION SHOWN HEREON) OR SHOW OR OTHERWISE PROVIDE THE DRAWING (OR THE SAID DESIGN OR ANY OF THE TECHNICAL INFORMATION) TO ANY THIRD PARTY WITHOUT CINTEC'S SPECIFIC PERMISSION.



SECTION



Engineered Grout Injection Anchors by:
Cintec Reinforcement Systems
Tel: 1-410-761-0765
1-613-225-3381
Fax: 1-613-224-9042
E-mail: solutions@cintec.com

Drawing Title:

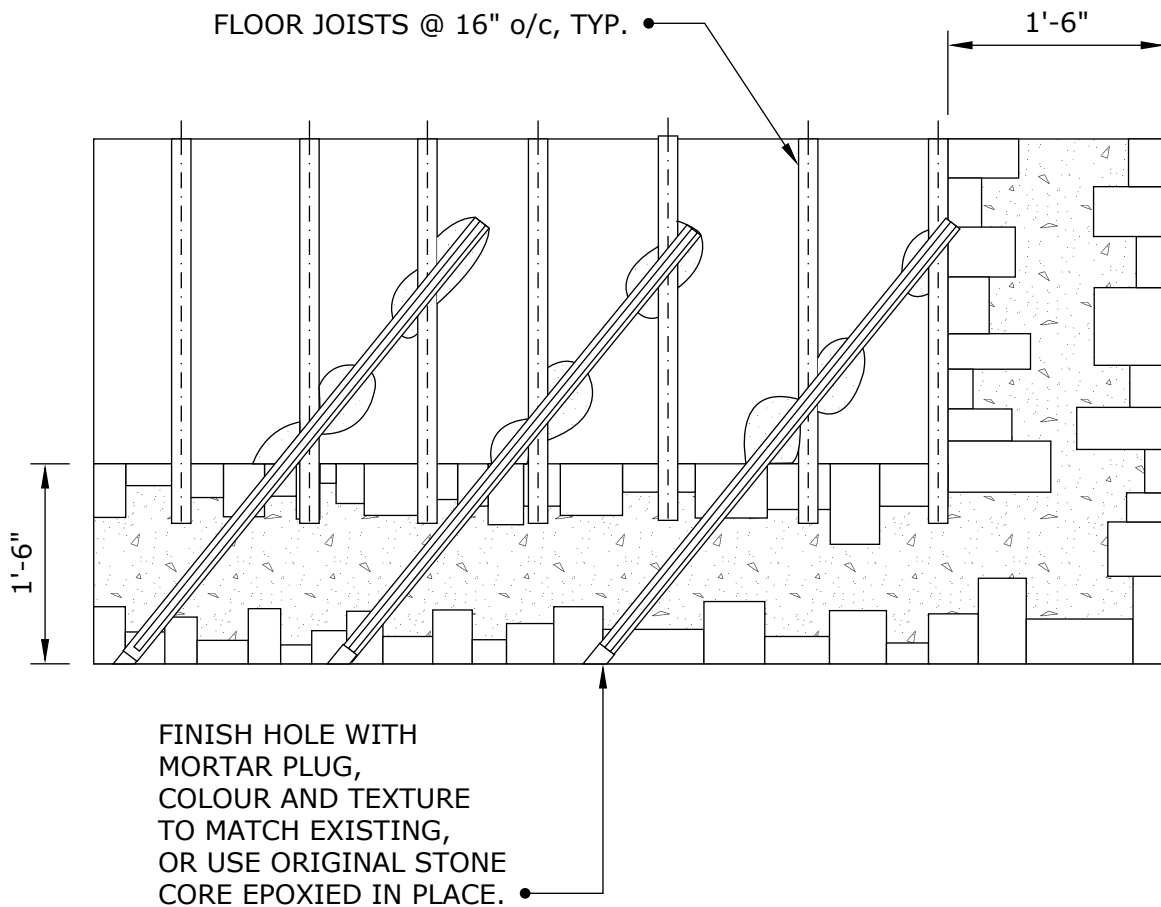
**BRICK WALL TO WOOD
FLOOR DIAPHRAGM
STABILIZATION**

CINTEC

REINFORCEMENT SYSTEMS

www.cintec.com

NOTICE: THIS DRAWING (INCLUDING THE DESIGN AND THE TECHNICAL INFORMATION SHOWN HEREON) BELONGS TO AND IS THE COPYRIGHT OF CINTEC REINFORCEMENT SYSTEMS ("Cintec") AND ACCORDINGLY THE PERSON, FIRM, COMPANY OR ORGANIZATION TO WHOM THIS DRAWING HAS BEEN PROVIDED MAY NOT COPY, RE-PRODUCE OR MAKE ANY USE OF THE DRAWING (INCLUDING THE DESIGN OR ANY OF THE TECHNICAL INFORMATION SHOWN HEREON) OR SHOW OR OTHERWISE PROVIDE THE DRAWING (OR THE SAID DESIGN OR ANY OF THE TECHNICAL INFORMATION) TO ANY THIRD PARTY WITHOUT CINTEC'S SPECIFIC PERMISSION.



FLOOR JOIST PARTIAL PLAN



Engineered Grout Injection Anchors by:
Cintec Reinforcement Systems
Tel: 1-410-761-0765
1-613-225-3381
Fax: 1-613-224-9042
E-mail: solutions@cintec.com

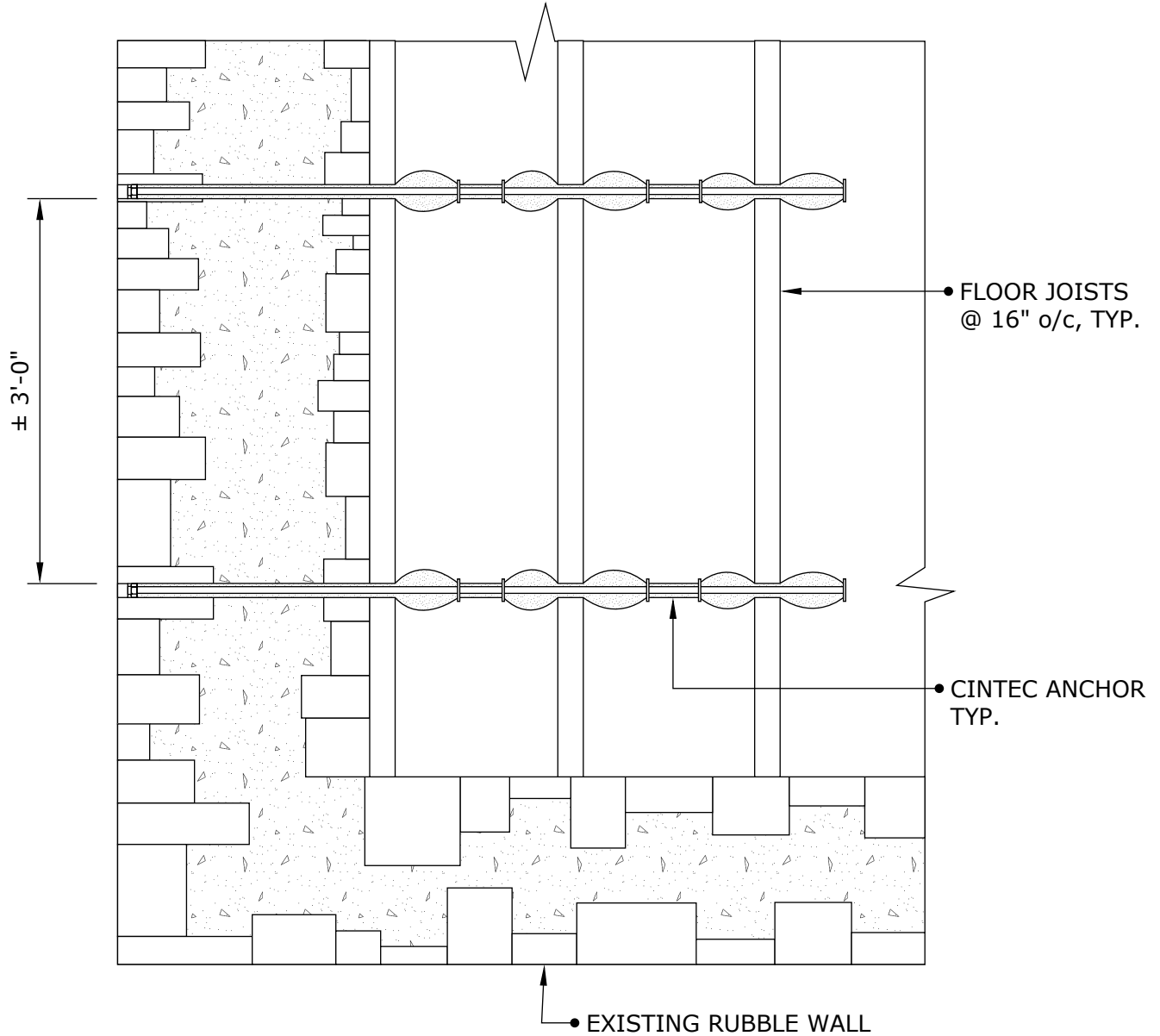
Drawing Title:
**RUBBLE WALL TO
WOOD FLOOR
DIAPHRAGM
STABILIZATION**

CINTEC

REINFORCEMENT SYSTEMS

www.cintec.com

NOTICE: THIS DRAWING (INCLUDING THE DESIGN AND THE TECHNICAL INFORMATION SHOWN HEREON) BELONGS TO AND IS THE COPYRIGHT OF CINTEC REINFORCEMENT SYSTEMS ("Cintec") AND ACCORDINGLY THE PERSON, FIRM, COMPANY OR ORGANIZATION TO WHOM THIS DRAWING HAS BEEN PROVIDED MAY NOT COPY, RE-PRODUCE OR MAKE ANY USE OF THE DRAWING (INCLUDING THE DESIGN OR ANY OF THE TECHNICAL INFORMATION SHOWN HEREON) OR SHOW OR OTHERWISE PROVIDE THE DRAWING (OR THE SAID DESIGN OR ANY OF THE TECHNICAL INFORMATION) TO ANY THIRD PARTY WITHOUT CINTEC'S SPECIFIC PERMISSION.



FLOOR JOIST PARTIAL PLAN



Engineered Grout Injection Anchors by:
Cintec Reinforcement Systems
Tel: 1-410-761-0765
1-613-225-3381
Fax: 1-613-224-9042
E-mail: solutions@cintec.com

Drawing Title:
**RUBBLE WALL TO
WOOD FLOOR
DIAPHRAGM
STABILIZATION**

CINTEC

REINFORCEMENT SYSTEMS

www.cintec.com

NOTICE: THIS DRAWING (INCLUDING THE DESIGN AND THE TECHNICAL INFORMATION SHOWN HEREON) BELONGS TO AND IS THE COPYRIGHT OF CINTEC REINFORCEMENT SYSTEMS ("Cintec") AND ACCORDINGLY THE PERSON, FIRM, COMPANY OR ORGANIZATION TO WHOM THIS DRAWING HAS BEEN PROVIDED MAY NOT COPY, RE-PRODUCE OR MAKE ANY USE OF THE DRAWING (INCLUDING THE DESIGN OR ANY OF THE TECHNICAL INFORMATION SHOWN HEREON) OR SHOW OR OTHERWISE PROVIDE THE DRAWING (OR THE SAID DESIGN OR ANY OF THE TECHNICAL INFORMATION) TO ANY THIRD PARTY WITHOUT CINTEC'S SPECIFIC PERMISSION.

CINTEC ANCHOR:

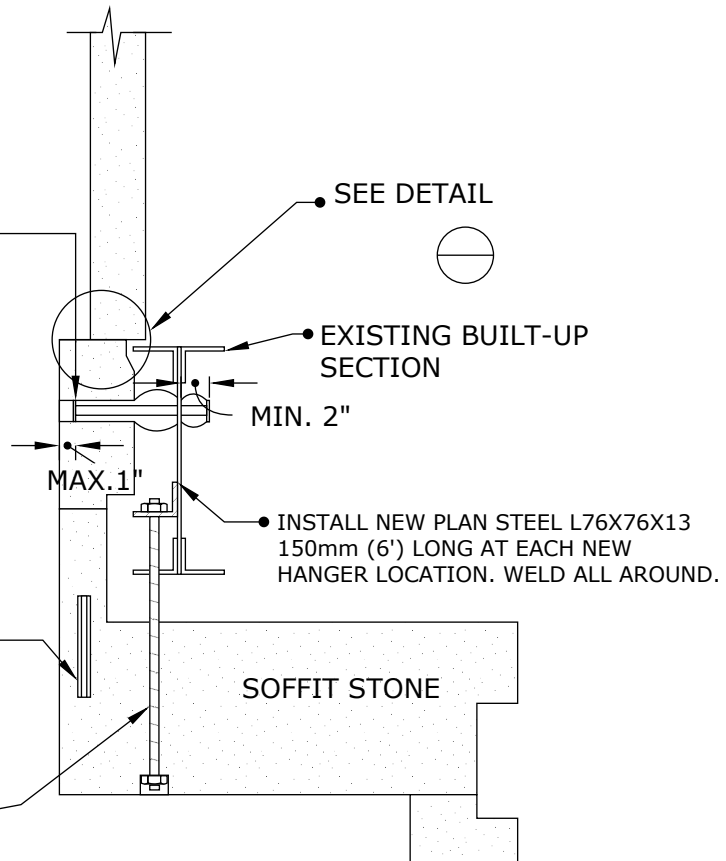
- 10X1 STAINLESS STEEL CHS
- SOCKED FULL LENGTH
- SOCK TO FIT 25mm HOLE
- FILL HOLE WITH COLOUR MATCHED "JAHN" MORTAR
- LENGTH TO BE DETERMINED ON SITE
- MINIMUM 2 ANCHORS PER STONE

CINTEC ANCHORS:

- CRACKED PORTION OF SOFFIT STONE TO BE REMOVED AND REINSTALLED USING
- 8X1 STAINLESS STEEL CHS
- SOCKED AT BOTH ENDS WITH GROUT TUBE AT BACK OF CRACK (MIDDLE OF ANCHOR)
- INSTALL 4 ANCHORS PER STONE
- MIN. EMBEDMENT OF EACH END OF ANCHOR TO BE 5"

HANGER ROD:

- 3/4" DIA. STAINLESS STEEL THREADED ROD IN 3/4"Ø HOLE
- LENGTH OF HANGER TO BE DETERMINED IN FIELD
- INSTALL 1 3/4"Ø MIN. WASHER IN 2" DIA. HOLE AT UNDERSIDE OF SOFFIT STONE.
- INSTALL DOUBLE WASHER UNDER NUT USE OVERSIZED WASHER AT BOTTOM
- PATCH UNDERSIDE OF SOFFIT WITH COLOUR MATCHED "JAHN" PLUG.



NOTES:

1. ENSURE ALL SOFFIT STONES ARE SHORED PRIOR TO THE COMMENCEMENT OF ANY WORK.
2. NOTE EXISTING STEEL BEAM DATES TO APPROX. 1935.
3. GRIND LOOSE RUST OFF EXISTING BEAM BOTTOM ANGLE WITH RIE WHEEL TREAT EXISTING EXPOSED STEEL AND NEW ANGLE BRACKETS WITH RUST CONVERTER (BLUE STEEL)



Engineered Grout Injection Anchors by:
Cintec Reinforcement Systems
 Tel: 1-410-761-0765
 1-613-225-3381
 Fax: 1-613-224-9042
 E-mail: solutions@cintec.com

Drawing Title:

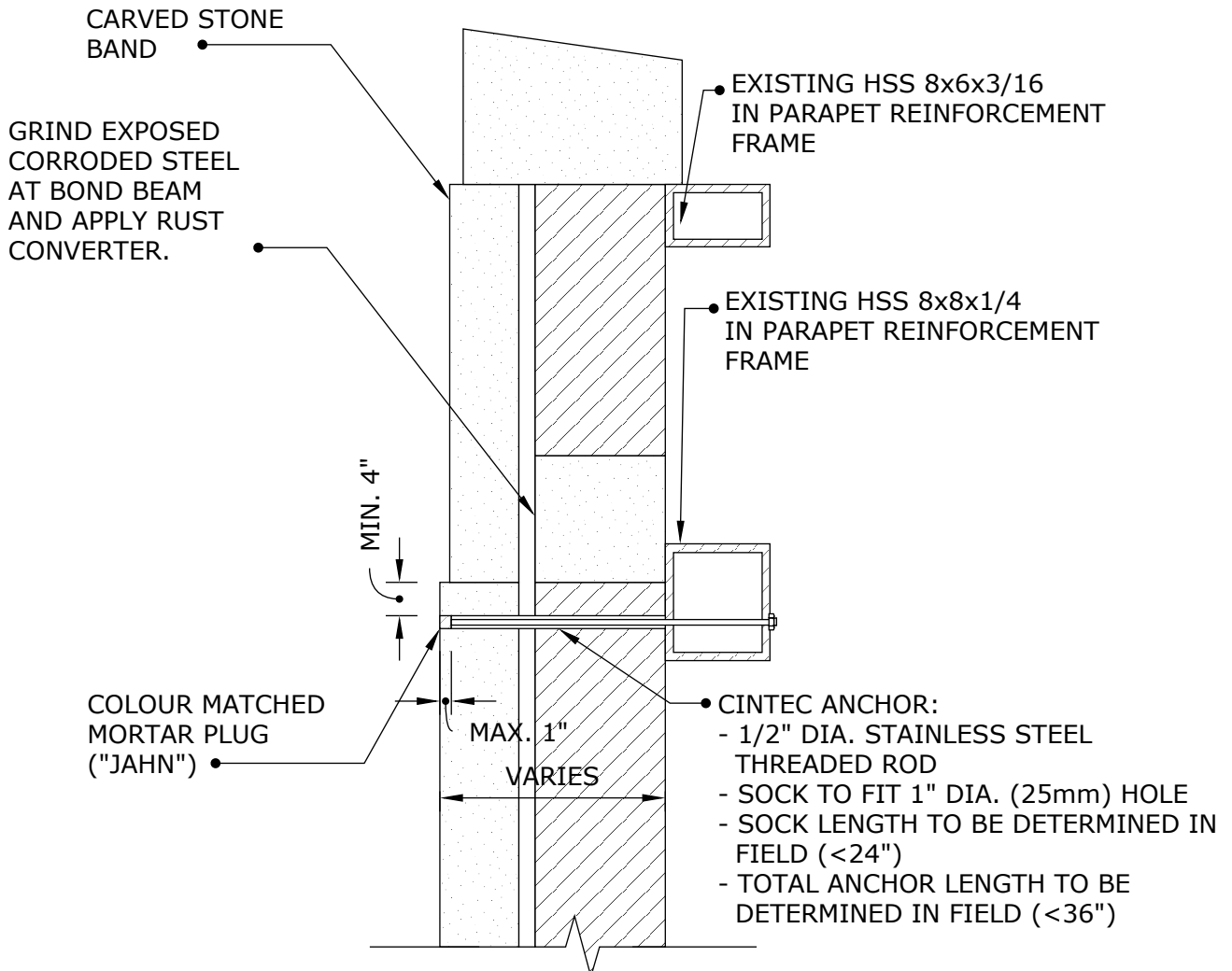
**SOFFIT STONE
 SUPPORTS AND REPAIR
 ANCHORS**

CINTEC

REINFORCEMENT SYSTEMS

www.cintec.com

NOTICE: THIS DRAWING (INCLUDING THE DESIGN AND THE TECHNICAL INFORMATION SHOWN HEREON) BELONGS TO AND IS THE COPYRIGHT OF CINTEC REINFORCEMENT SYSTEMS ("Cintec") AND ACCORDINGLY THE PERSON, FIRM, COMPANY OR ORGANIZATION TO WHOM THIS DRAWING HAS BEEN PROVIDED MAY NOT COPY, RE-PRODUCE OR MAKE ANY USE OF THE DRAWING (INCLUDING THE DESIGN OR ANY OF THE TECHNICAL INFORMATION SHOWN HEREON) OR SHOW OR OTHERWISE PROVIDE THE DRAWING (OR THE SAID DESIGN OR ANY OF THE TECHNICAL INFORMATION) TO ANY THIRD PARTY WITHOUT CINTEC'S SPECIFIC PERMISSION.



TYPICAL DETAIL

- NOTES:
1. ALL ANCHOR DIMENSIONS TO BE DETERMINED IN THE FIELD.
 2. INSTALL A MINIMUM OF TWO (2) ANCHORS PER STONE



Engineered Grout Injection Anchors by:
Cintec Reinforcement Systems
 Tel: 1-410-761-0765
 1-613-225-3381
 Fax: 1-613-224-9042
 E-mail: solutions@cintec.com

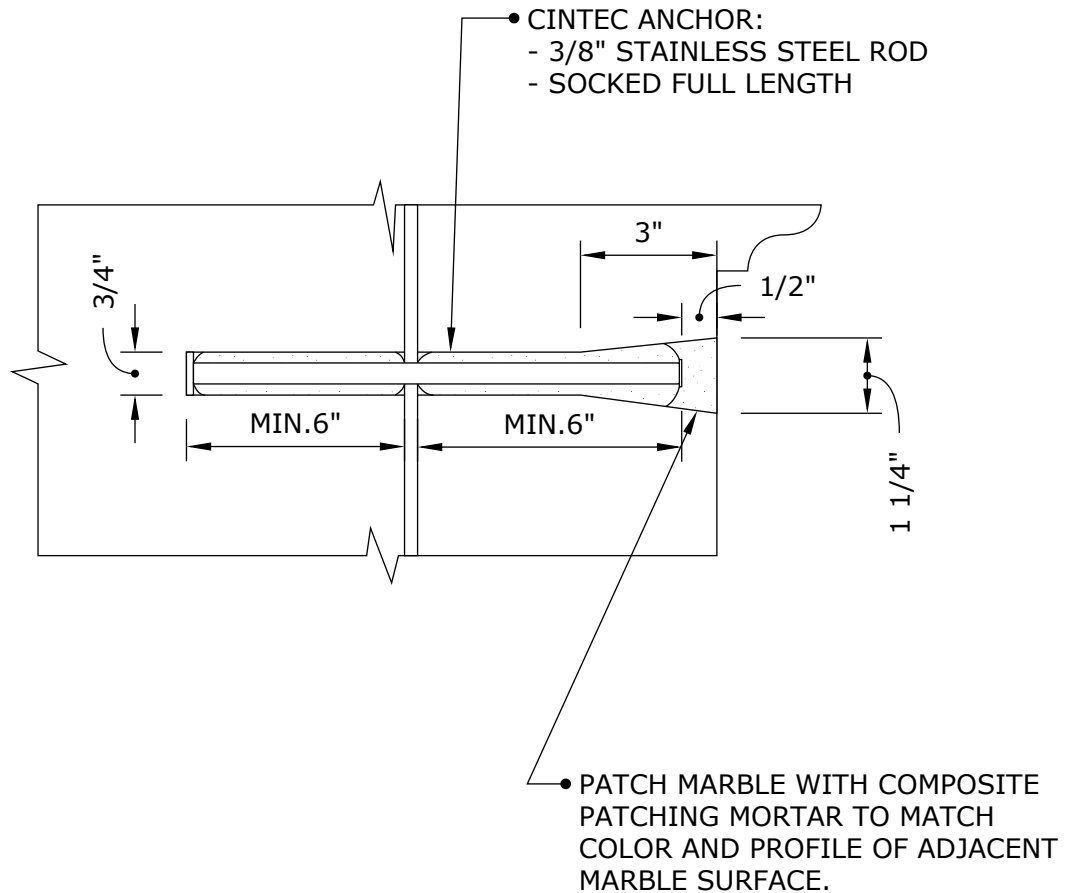
Drawing Title:
**STONE CLADDING
 SUPPORT ANCHORS**

CINTEC

REINFORCEMENT SYSTEMS

www.cintec.com

NOTICE: THIS DRAWING (INCLUDING THE DESIGN AND THE TECHNICAL INFORMATION SHOWN HEREON) BELONGS TO AND IS THE COPYRIGHT OF CINTEC REINFORCEMENT SYSTEMS ("Cintec") AND ACCORDINGLY THE PERSON, FIRM, COMPANY OR ORGANIZATION TO WHOM THIS DRAWING HAS BEEN PROVIDED MAY NOT COPY, RE-PRODUCE OR MAKE ANY USE OF THE DRAWING (INCLUDING THE DESIGN OR ANY OF THE TECHNICAL INFORMATION SHOWN HEREON) OR SHOW OR OTHERWISE PROVIDE THE DRAWING (OR THE SAID DESIGN OR ANY OF THE TECHNICAL INFORMATION) TO ANY THIRD PARTY WITHOUT CINTEC'S SPECIFIC PERMISSION.

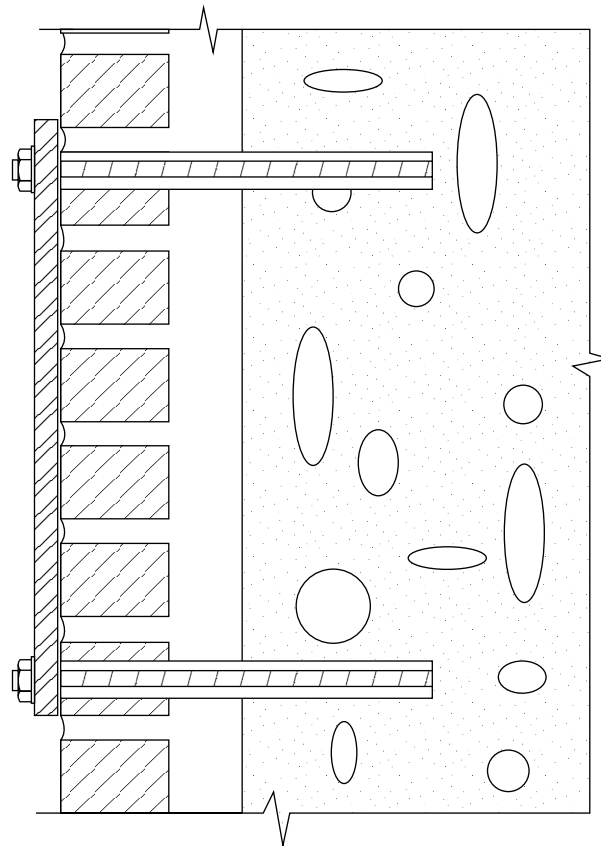


Engineered Grout Injection Anchors by:
Cintec Reinforcement Systems
Tel: 1-410-761-0765
1-613-225-3381
Fax: 1-613-224-9042
E-mail: solutions@cintec.com

Drawing Title:

**TYPICAL RECESSED
CINTEC ANCHOR DETAIL**

NOTICE: THIS DRAWING (INCLUDING THE DESIGN AND THE TECHNICAL INFORMATION SHOWN HEREON) BELONGS TO AND IS THE COPYRIGHT OF CINTEC REINFORCEMENT SYSTEMS ("Cintec") AND ACCORDINGLY THE PERSON, FIRM, COMPANY OR ORGANIZATION TO WHOM THIS DRAWING HAS BEEN PROVIDED MAY NOT COPY, RE-PRODUCE OR MAKE ANY USE OF THE DRAWING (INCLUDING THE DESIGN OR ANY OF THE TECHNICAL INFORMATION SHOWN HEREON) OR SHOW OR OTHERWISE PROVIDE THE DRAWING (OR THE SAID DESIGN OR ANY OF THE TECHNICAL INFORMATION) TO ANY THIRD PARTY WITHOUT CINTEC'S SPECIFIC PERMISSION.

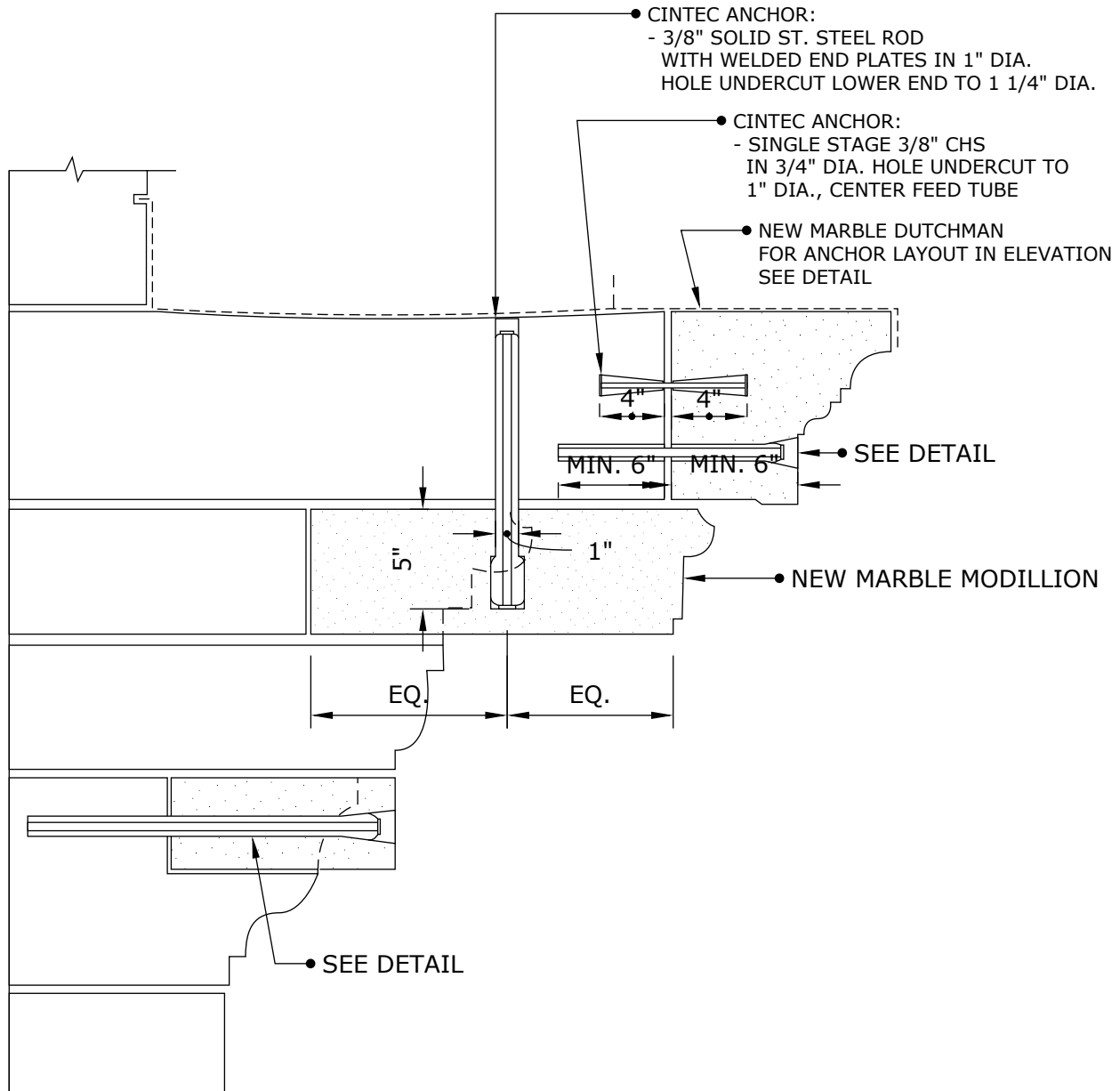


CINTEC

REINFORCEMENT SYSTEMS

www.cintec.com

NOTICE: THIS DRAWING (INCLUDING THE DESIGN AND THE TECHNICAL INFORMATION SHOWN HEREON) BELONGS TO AND IS THE COPYRIGHT OF CINTEC REINFORCEMENT SYSTEMS ("Cintec") AND ACCORDINGLY THE PERSON, FIRM, COMPANY OR ORGANIZATION TO WHOM THIS DRAWING HAS BEEN PROVIDED MAY NOT COPY, RE-PRODUCE OR MAKE ANY USE OF THE DRAWING (INCLUDING THE DESIGN OR ANY OF THE TECHNICAL INFORMATION SHOWN HEREON) OR SHOW OR OTHERWISE PROVIDE THE DRAWING (OR THE SAID DESIGN OR ANY OF THE TECHNICAL INFORMATION) TO ANY THIRD PARTY WITHOUT CINTEC'S SPECIFIC PERMISSION.



Engineered Grout Injection Anchors by:
Cintec Reinforcement Systems
 Tel: 1-410-761-0765
 1-613-225-3381
 Fax: 1-613-224-9042
 E-mail: solutions@cintec.com

Drawing Title:

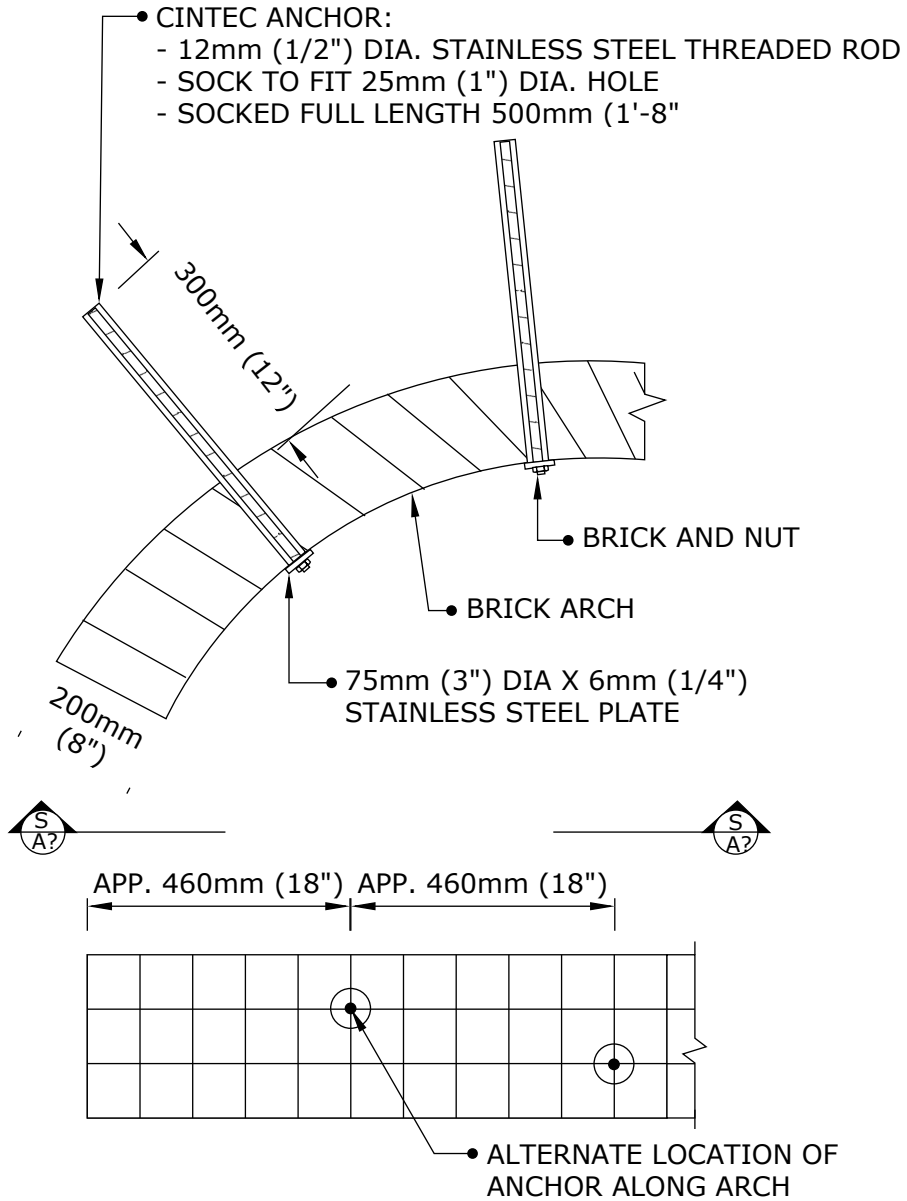
**CORNICE SECTION
 CINTEC ANCHOR
 LAYOUT**

CINTEC

REINFORCEMENT SYSTEMS

www.cintec.com

NOTICE: THIS DRAWING (INCLUDING THE DESIGN AND THE TECHNICAL INFORMATION SHOWN HEREON) BELONGS TO AND IS THE COPYRIGHT OF CINTEC REINFORCEMENT SYSTEMS ("Cintec") AND ACCORDINGLY THE PERSON, FIRM, COMPANY OR ORGANIZATION TO WHOM THIS DRAWING HAS BEEN PROVIDED MAY NOT COPY, RE-PRODUCE OR MAKE ANY USE OF THE DRAWING (INCLUDING THE DESIGN OR ANY OF THE TECHNICAL INFORMATION SHOWN HEREON) OR SHOW OR OTHERWISE PROVIDE THE DRAWING (OR THE SAID DESIGN OR ANY OF THE TECHNICAL INFORMATION) TO ANY THIRD PARTY WITHOUT CINTEC'S SPECIFIC PERMISSION.



SECTION 1-1



Engineered Grout Injection Anchors by:
Cintec Reinforcement Systems
 Tel: 1-410-761-0765
 1-613-225-3381
 Fax: 1-613-224-9042
 E-mail: solutions@cintec.com

Drawing Title:

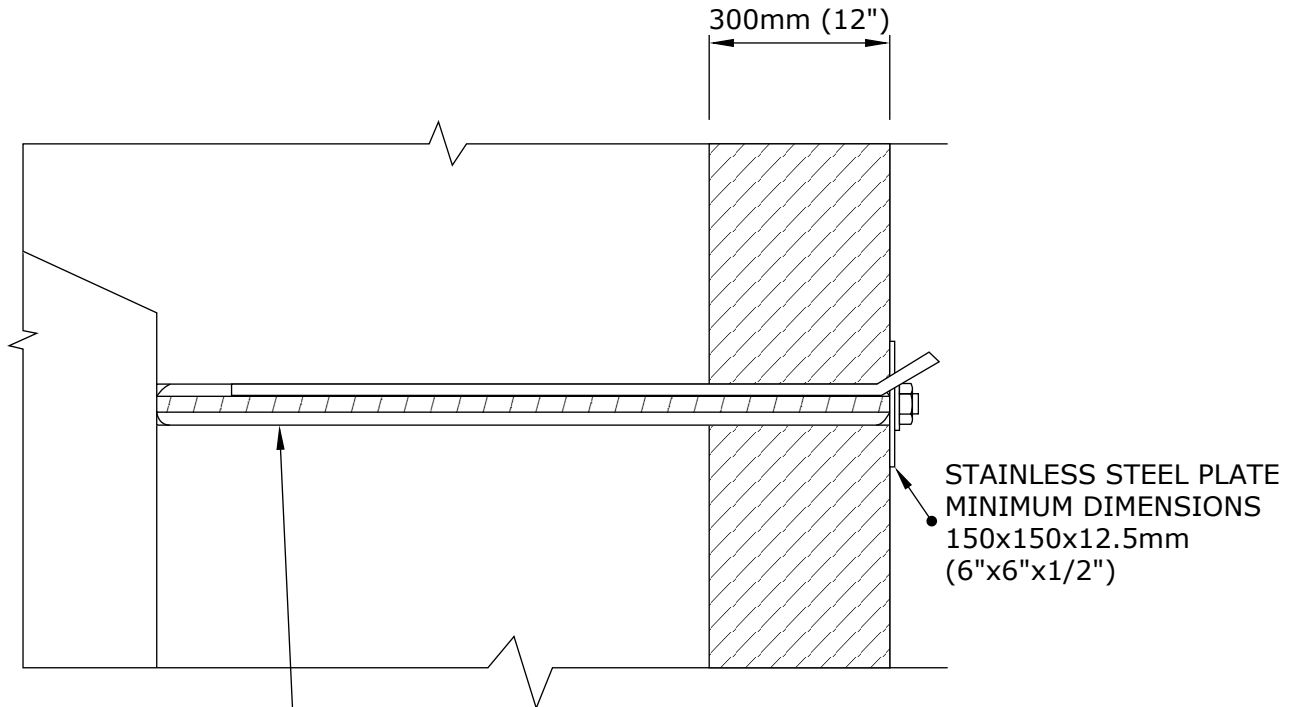
ARCH ANCHORS

CINTEC

REINFORCEMENT SYSTEMS

www.cintec.com

NOTICE: THIS DRAWING (INCLUDING THE DESIGN AND THE TECHNICAL INFORMATION SHOWN HEREON) BELONGS TO AND IS THE COPYRIGHT OF CINTEC REINFORCEMENT SYSTEMS ("Cintec") AND ACCORDINGLY THE PERSON, FIRM, COMPANY OR ORGANIZATION TO WHOM THIS DRAWING HAS BEEN PROVIDED MAY NOT COPY, RE-PRODUCE OR MAKE ANY USE OF THE DRAWING (INCLUDING THE DESIGN OR ANY OF THE TECHNICAL INFORMATION SHOWN HEREON) OR SHOW OR OTHERWISE PROVIDE THE DRAWING (OR THE SAID DESIGN OR ANY OF THE TECHNICAL INFORMATION) TO ANY THIRD PARTY WITHOUT CINTEC'S SPECIFIC PERMISSION.



- CINTEC ANCHOR:
 - 36mm (1 3/8") DIA. STAINLESS STEEL THREADED ROD
 - SOCK TO FIT 72mm (2 3/4") DIA. HOLE
 - SOCKED LENGTH TO BE DETERMINED IN FIELD (TO BE EMBEDDED LENGTH OF STEEL ROD WITHIN WALL)
 - TOTAL ANCHOR LENGTH TO BE CONFIRMED BY CLIENT



Engineered Grout Injection Anchors by:
Cintec Reinforcement Systems
Tel: 1-410-761-0765
1-613-225-3381
Fax: 1-613-224-9042
E-mail: solutions@cintec.com

Drawing Title:

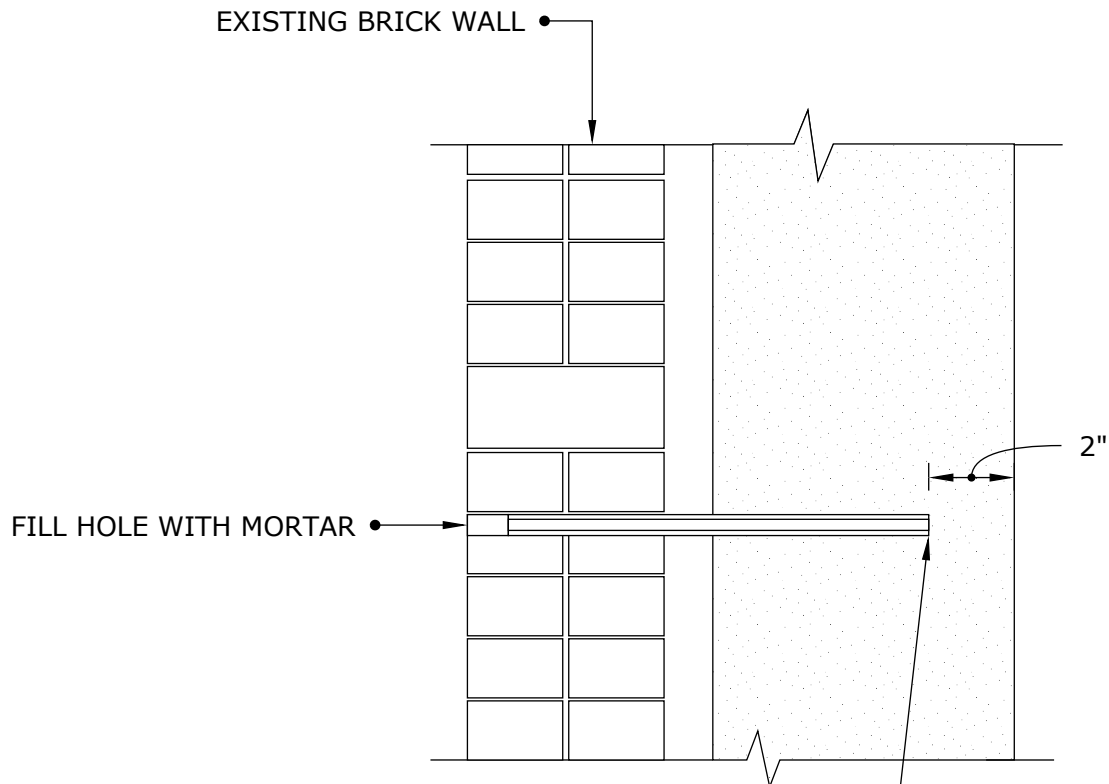
EXTERIOR PLATE

CINTEC

REINFORCEMENT SYSTEMS

www.cintec.com

NOTICE: THIS DRAWING (INCLUDING THE DESIGN AND THE TECHNICAL INFORMATION SHOWN HEREON) BELONGS TO AND IS THE COPYRIGHT OF CINTEC REINFORCEMENT SYSTEMS ("Cintec") AND ACCORDINGLY THE PERSON, FIRM, COMPANY OR ORGANIZATION TO WHOM THIS DRAWING HAS BEEN PROVIDED MAY NOT COPY, RE-PRODUCE OR MAKE ANY USE OF THE DRAWING (INCLUDING THE DESIGN OR ANY OF THE TECHNICAL INFORMATION SHOWN HEREON) OR SHOW OR OTHERWISE PROVIDE THE DRAWING (OR THE SAID DESIGN OR ANY OF THE TECHNICAL INFORMATION) TO ANY THIRD PARTY WITHOUT CINTEC'S SPECIFIC PERMISSION.



- 10mm x 1mm HOLLOW CIRCULAR SECTION W/END PLATE IN 20mm (3/4") HOLE
- ANCHOR LENGTH TO BE DETERMINED ON SITE
- SOCKED FULL LENGTH



Engineered Grout Injection Anchors by:
Cintec Reinforcement Systems
Tel: 1-410-761-0765
1-613-225-3381
Fax: 1-613-224-9042
E-mail: solutions@cintec.com

Drawing Title:

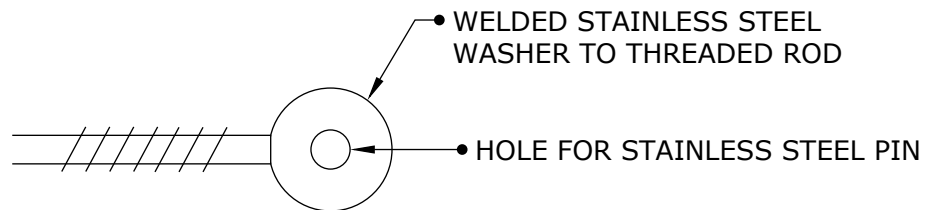
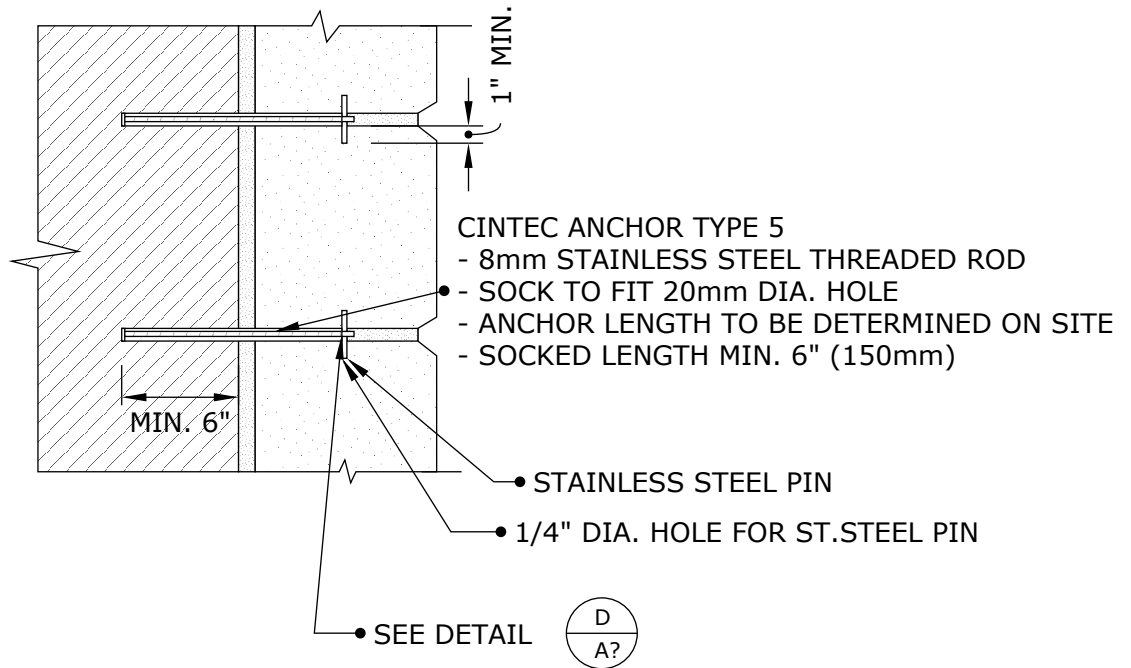
CINTEC ANCHOR

CINTEC

REINFORCEMENT SYSTEMS

www.cintec.com

NOTICE: THIS DRAWING (INCLUDING THE DESIGN AND THE TECHNICAL INFORMATION SHOWN HEREON) BELONGS TO AND IS THE COPYRIGHT OF CINTEC REINFORCEMENT SYSTEMS ("Cintec") AND ACCORDINGLY THE PERSON, FIRM, COMPANY OR ORGANIZATION TO WHOM THIS DRAWING HAS BEEN PROVIDED MAY NOT COPY, RE-PRODUCE OR MAKE ANY USE OF THE DRAWING (INCLUDING THE DESIGN OR ANY OF THE TECHNICAL INFORMATION SHOWN HEREON) OR SHOW OR OTHERWISE PROVIDE THE DRAWING (OR THE SAID DESIGN OR ANY OF THE TECHNICAL INFORMATION) TO ANY THIRD PARTY WITHOUT CINTEC'S SPECIFIC PERMISSION.



DETAIL A

NTS



Engineered Grout Injection Anchors by:
Cintec Reinforcement Systems
Tel: 1-410-761-0765
1-613-225-3381
Fax: 1-613-224-9042
E-mail: solutions@cintec.com

Drawing Title:

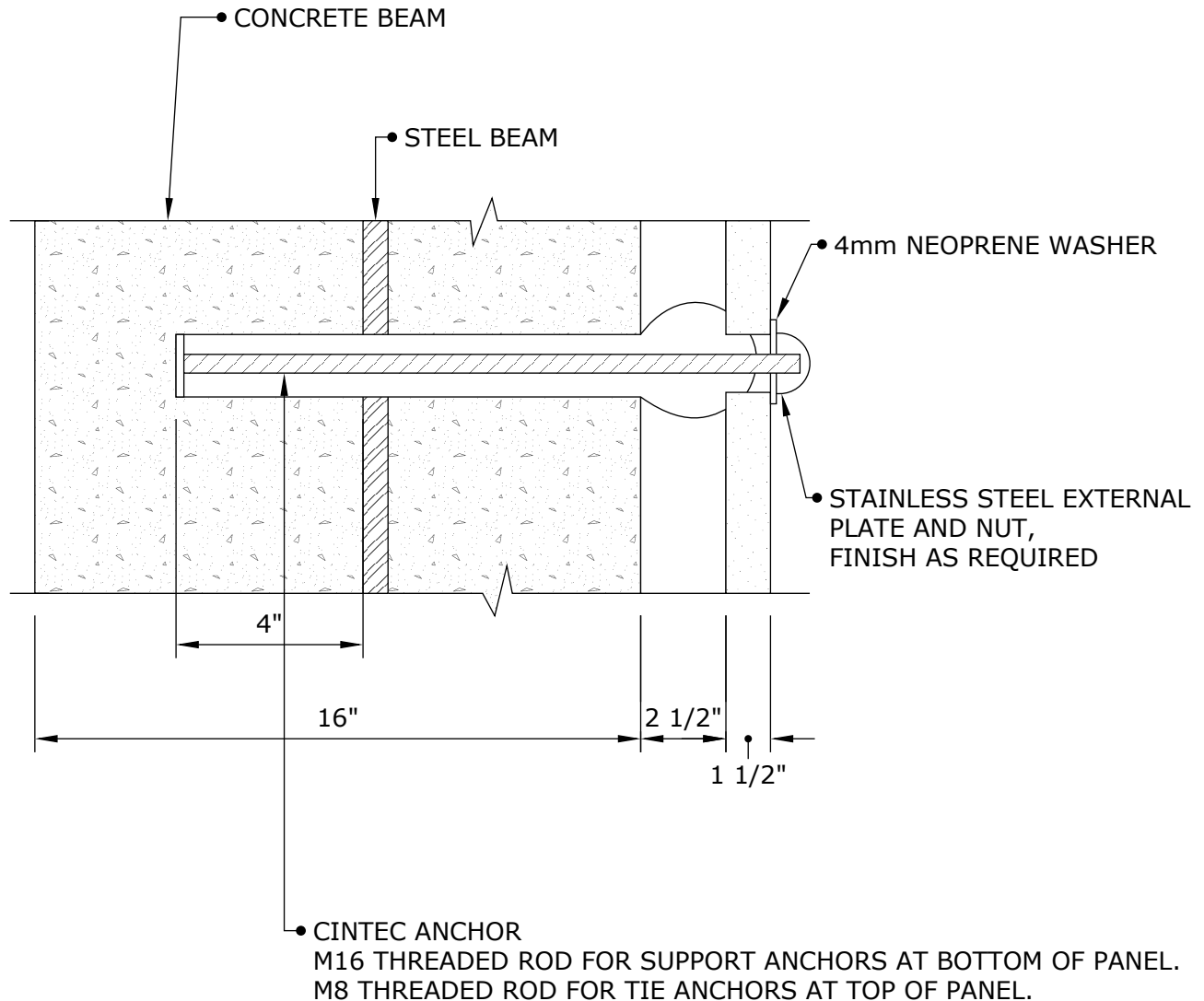
**CINTEC ANCHOR
STONE STABILIZATION**

CINTEC

REINFORCEMENT SYSTEMS

www.cintec.com

NOTICE: THIS DRAWING (INCLUDING THE DESIGN AND THE TECHNICAL INFORMATION SHOWN HEREON) BELONGS TO AND IS THE COPYRIGHT OF CINTEC REINFORCEMENT SYSTEMS ("Cintec") AND ACCORDINGLY THE PERSON, FIRM, COMPANY OR ORGANIZATION TO WHOM THIS DRAWING HAS BEEN PROVIDED MAY NOT COPY, RE-PRODUCE OR MAKE ANY USE OF THE DRAWING (INCLUDING THE DESIGN OR ANY OF THE TECHNICAL INFORMATION SHOWN HEREON) OR SHOW OR OTHERWISE PROVIDE THE DRAWING (OR THE SAID DESIGN OR ANY OF THE TECHNICAL INFORMATION) TO ANY THIRD PARTY WITHOUT CINTEC'S SPECIFIC PERMISSION.



CINTEC
REINFORCEMENT SYSTEMS
www.cintec.com

Engineered Grout Injection Anchors by:
Cintec Reinforcement Systems
Tel: 1-410-761-0765
1-613-225-3381
Fax: 1-613-224-9042
E-mail: solutions@cintec.com

Drawing Title:

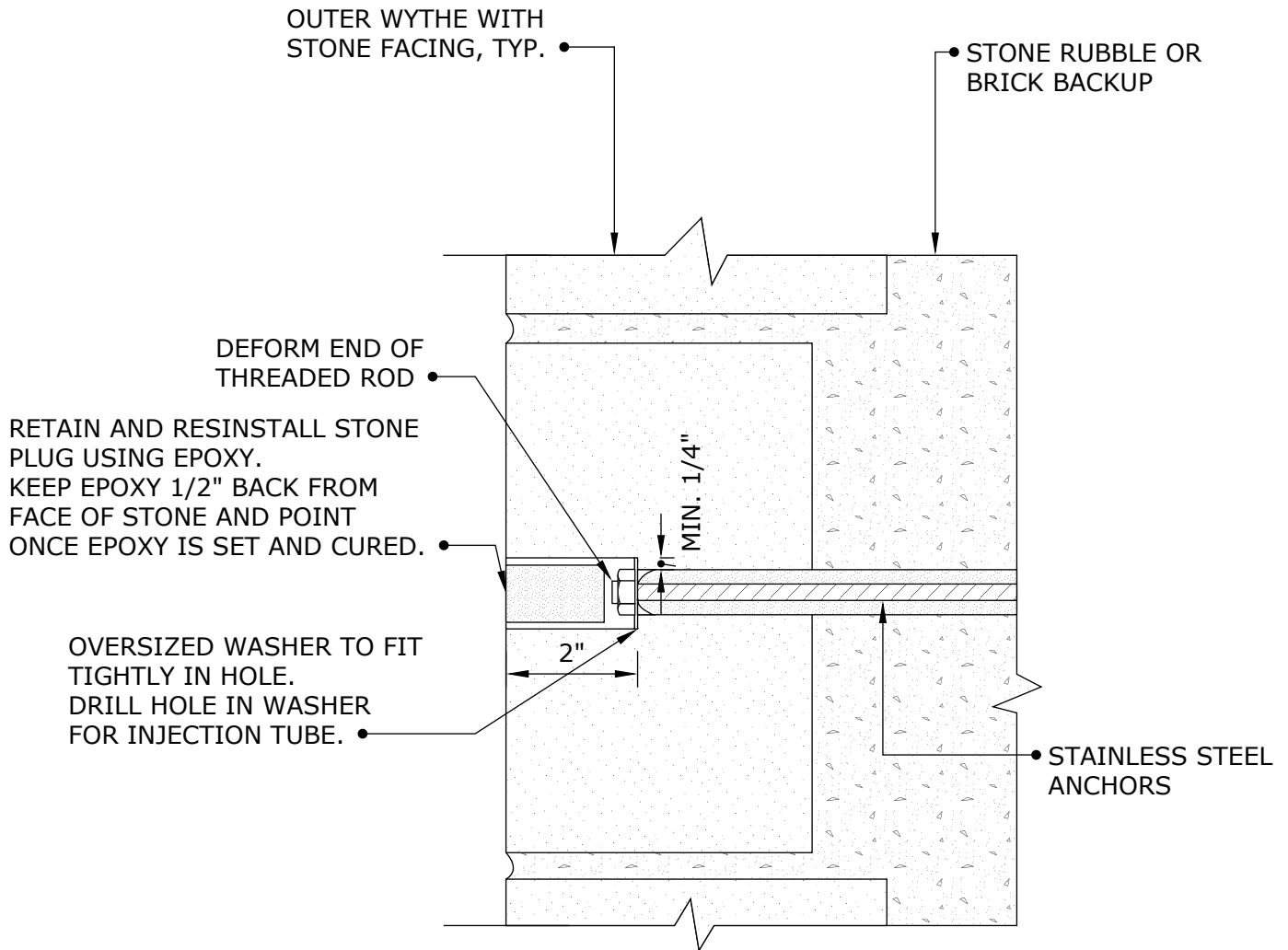
THIN FACADE SUPPORT ANCHOR

CINTEC

REINFORCEMENT SYSTEMS

www.cintec.com

NOTICE: THIS DRAWING (INCLUDING THE DESIGN AND THE TECHNICAL INFORMATION SHOWN HEREON) BELONGS TO AND IS THE COPYRIGHT OF CINTEC REINFORCEMENT SYSTEMS ("Cintec") AND ACCORDINGLY THE PERSON, FIRM, COMPANY OR ORGANIZATION TO WHOM THIS DRAWING HAS BEEN PROVIDED MAY NOT COPY, RE-PRODUCE OR MAKE ANY USE OF THE DRAWING (INCLUDING THE DESIGN OR ANY OF THE TECHNICAL INFORMATION SHOWN HEREON) OR SHOW OR OTHERWISE PROVIDE THE DRAWING (OR THE SAID DESIGN OR ANY OF THE TECHNICAL INFORMATION) TO ANY THIRD PARTY WITHOUT CINTEC'S SPECIFIC PERMISSION.



Engineered Grout Injection Anchors by:
Cintec Reinforcement Systems
Tel: 1-410-761-0765
1-613-225-3381
Fax: 1-613-224-9042
E-mail: solutions@cintec.com

Drawing Title:

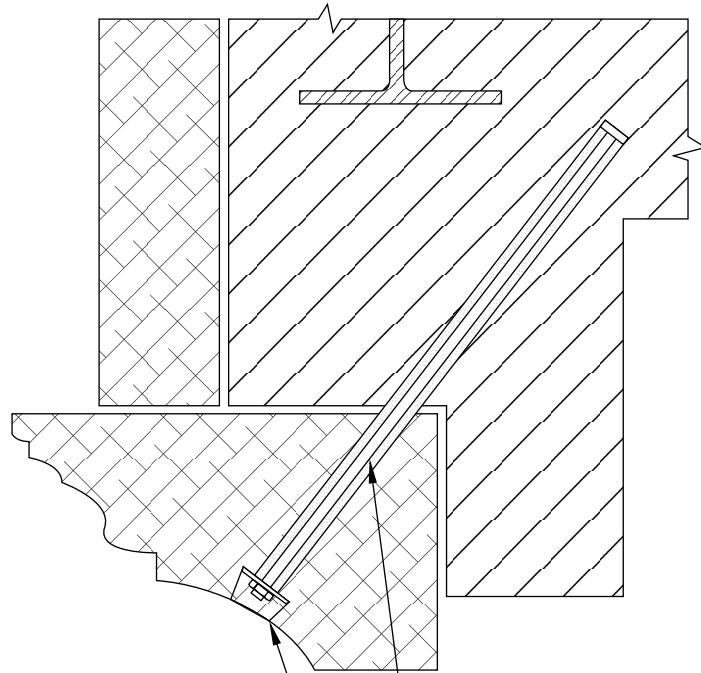
**STONE VENEER
STABILIZATION**

CINTEC

REINFORCEMENT SYSTEMS

www.cintec.com

NOTICE: THIS DRAWING (INCLUDING THE DESIGN AND THE TECHNICAL INFORMATION SHOWN HEREON) BELONGS TO AND IS THE COPYRIGHT OF CINTEC REINFORCEMENT SYSTEMS ("Cintec") AND ACCORDINGLY THE PERSON, FIRM, COMPANY OR ORGANIZATION TO WHOM THIS DRAWING HAS BEEN PROVIDED MAY NOT COPY, RE-PRODUCE OR MAKE ANY USE OF THE DRAWING (INCLUDING THE DESIGN OR ANY OF THE TECHNICAL INFORMATION SHOWN HEREON) OR SHOW OR OTHERWISE PROVIDE THE DRAWING (OR THE SAID DESIGN OR ANY OF THE TECHNICAL INFORMATION) TO ANY THIRD PARTY WITHOUT CINTEC'S SPECIFIC PERMISSION.



RETAIN AND REINSTALL MARBLE PLUG USING EPOXY, OR USING MORTAR PLUG TO MATCH EXISTING MARBLE. KEEP EPOXY 1/2" BACK FROM FACE OF MARBLE AND POINT ONCE EPOXY IS SET AND CURED.

- CINTEC ANCHOR:
- STAINLESS STEEL THREADED ROD
 - SOCK TO FIT
 - SOCK FULL LENGTH
 - OVERSIZED WASHER



Engineered Grout Injection Anchors by:
Cintec Reinforcement Systems
Tel: 1-410-761-0765
1-613-225-3381
Fax: 1-613-224-9042
E-mail: solutions@cintec.com

Drawing Title:

LINTEL ANCHORS

CINTEC

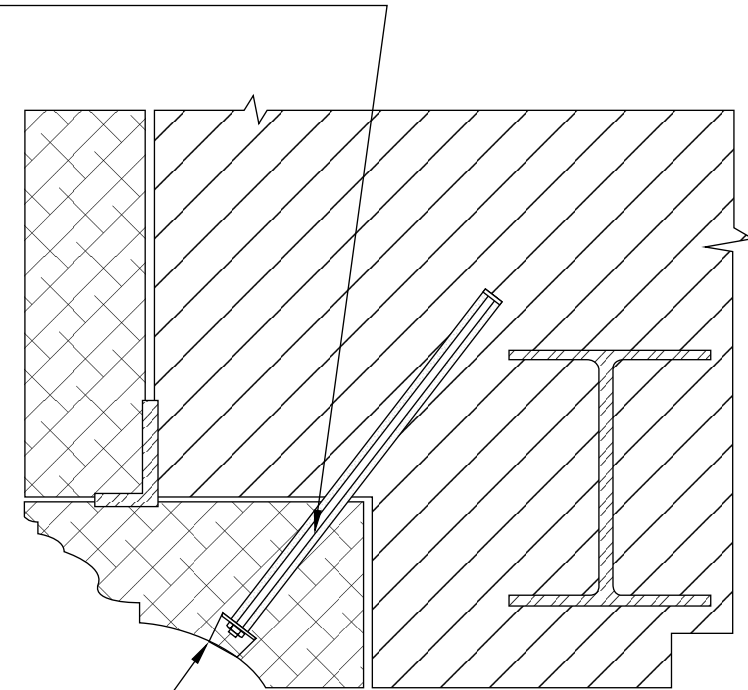
REINFORCEMENT SYSTEMS

www.cintec.com

NOTICE: THIS DRAWING (INCLUDING THE DESIGN AND THE TECHNICAL INFORMATION SHOWN HEREON) BELONGS TO AND IS THE COPYRIGHT OF CINTEC REINFORCEMENT SYSTEMS ("Cintec") AND ACCORDINGLY THE PERSON, FIRM, COMPANY OR ORGANIZATION TO WHOM THIS DRAWING HAS BEEN PROVIDED MAY NOT COPY, RE-PRODUCE OR MAKE ANY USE OF THE DRAWING (INCLUDING THE DESIGN OR ANY OF THE TECHNICAL INFORMATION SHOWN HEREON) OR SHOW OR OTHERWISE PROVIDE THE DRAWING (OR THE SAID DESIGN OR ANY OF THE TECHNICAL INFORMATION) TO ANY THIRD PARTY WITHOUT CINTEC'S SPECIFIC PERMISSION.

CINTEC ANCHOR:

- STAINLESS STEEL THREADED ROD
- SOCK TO FIT
- SOCK FULL LENGTH
- OVERSIZED WASHER



- RETAIN AND REINSTALL MARBLE PLUG USING EPOXY, OR USING MORTAR PLUG TO MATCH EXISTING MARBLE. KEEP EPOXY 1/2" BACK FROM FACE OF MARBLE AND POINT ONCE EPOXY IS SET AND CURED.



Engineered Grout Injection Anchors by:
Cintec Reinforcement Systems
Tel: 1-410-761-0765
1-613-225-3381
Fax: 1-613-224-9042
E-mail: solutions@cintec.com

Drawing Title:

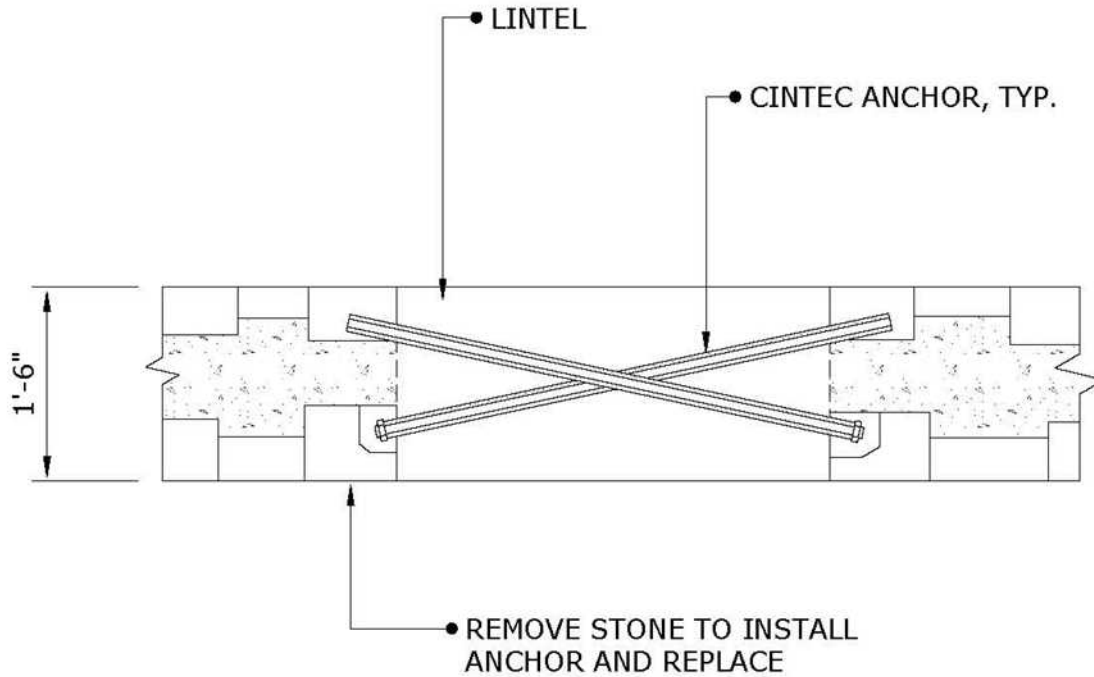
LINTEL ANCHORS

CINTEC

REINFORCEMENT SYSTEMS

www.cintec.com

NOTICE: THIS DRAWING (INCLUDING THE DESIGN AND THE TECHNICAL INFORMATION SHOWN HEREON) BELONGS TO AND IS THE COPYRIGHT OF CINTEC REINFORCEMENT SYSTEMS ("Cintec") AND ACCORDINGLY THE PERSON, FIRM, COMPANY OR ORGANIZATION TO WHOM THIS DRAWING HAS BEEN PROVIDED MAY NOT COPY, RE-PRODUCE OR MAKE ANY USE OF THE DRAWING (INCLUDING THE DESIGN OR ANY OF THE TECHNICAL INFORMATION SHOWN HEREON) OR SHOW OR OTHERWISE PROVIDE THE DRAWING (OR THE SAID DESIGN OR ANY OF THE TECHNICAL INFORMATION) TO ANY THIRD PARTY WITHOUT CINTEC'S SPECIFIC PERMISSION.



Engineered Grout Injection Anchors by:
Cintec Reinforcement Systems

Tel: 1-410-761-0765

1-613-225-3381

Fax: 1-613-224-9042

E-mail: solutions@cintec.com

Drawing Title:

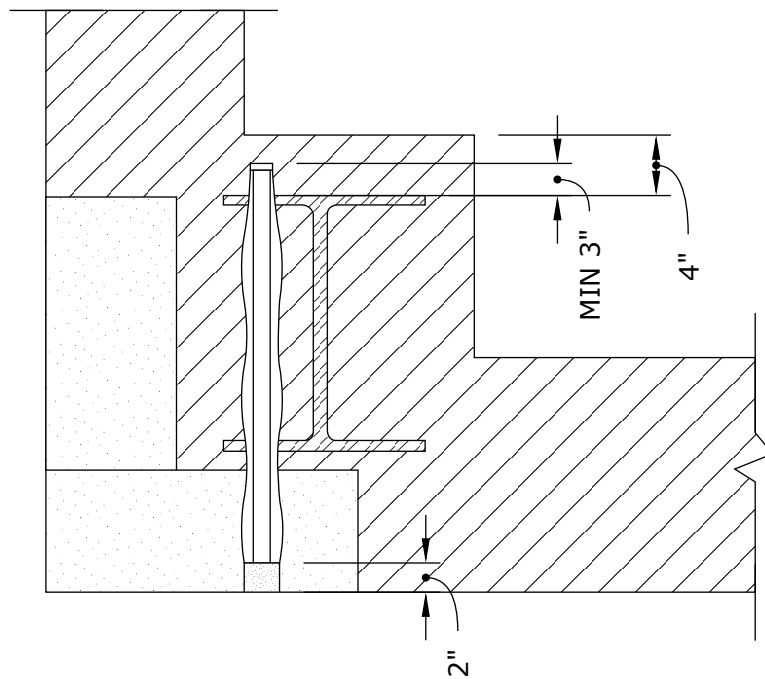
STONE LINTEL ANCHORS

CINTEC

REINFORCEMENT SYSTEMS

www.cintec.com

NOTICE: THIS DRAWING (INCLUDING THE DESIGN AND THE TECHNICAL INFORMATION SHOWN HEREON) BELONGS TO AND IS THE COPYRIGHT OF CINTEC REINFORCEMENT SYSTEMS ("Cintec") AND ACCORDINGLY THE PERSON, FIRM, COMPANY OR ORGANIZATION TO WHOM THIS DRAWING HAS BEEN PROVIDED MAY NOT COPY, RE-PRODUCE OR MAKE ANY USE OF THE DRAWING (INCLUDING THE DESIGN OR ANY OF THE TECHNICAL INFORMATION SHOWN HEREON) OR SHOW OR OTHERWISE PROVIDE THE DRAWING (OR THE SAID DESIGN OR ANY OF THE TECHNICAL INFORMATION) TO ANY THIRD PARTY WITHOUT CINTEC'S SPECIFIC PERMISSION.



CINTEC
REINFORCEMENT SYSTEMS
www.cintec.com

Engineered Grout Injection Anchors by:
Cintec Reinforcement Systems
Tel: 1-410-761-0765
1-613-225-3381
Fax: 1-613-224-9042
E-mail: solutions@cintec.com

Drawing Title:

**CORNER STONE
ANCHORAGE**

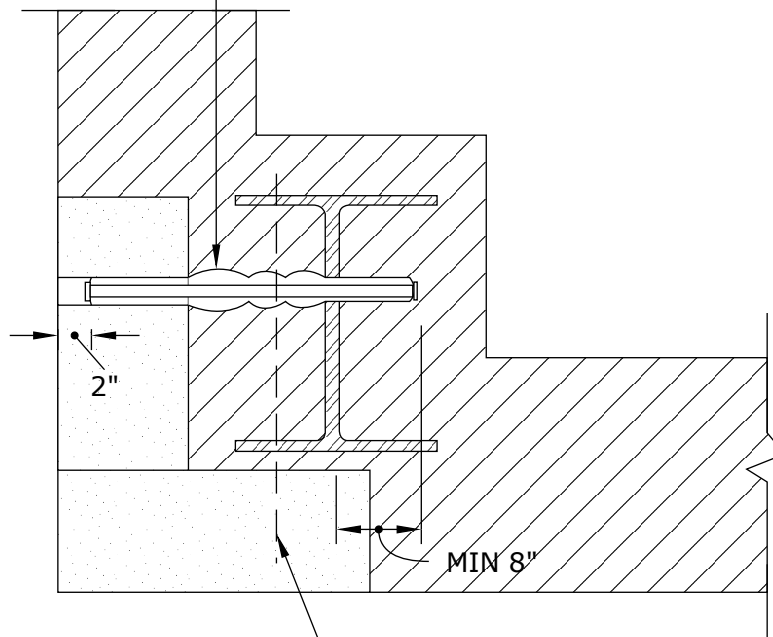
CINTEC

REINFORCEMENT SYSTEMS

www.cintec.com

NOTICE: THIS DRAWING (INCLUDING THE DESIGN AND THE TECHNICAL INFORMATION SHOWN HEREON) BELONGS TO AND IS THE COPYRIGHT OF CINTEC REINFORCEMENT SYSTEMS ("Cintec") AND ACCORDINGLY THE PERSON, FIRM, COMPANY OR ORGANIZATION TO WHOM THIS DRAWING HAS BEEN PROVIDED MAY NOT COPY, RE-PRODUCE OR MAKE ANY USE OF THE DRAWING (INCLUDING THE DESIGN OR ANY OF THE TECHNICAL INFORMATION SHOWN HEREON) OR SHOW OR OTHERWISE PROVIDE THE DRAWING (OR THE SAID DESIGN OR ANY OF THE TECHNICAL INFORMATION) TO ANY THIRD PARTY WITHOUT CINTEC'S SPECIFIC PERMISSION.

- CINTEC ANCHOR T-2
 - 1 3/16" DIA. STAINLESS STEEL ROD
 - IN 2 3/8" DIA. HOLE, SOCKED FULL LENGTH
 - SLOPED TOWARDS INSIDE 5"



- ANCHOR T-1 BELOW.
ALLOW 2 1/2" CENTER TO CENTER
BETWEEN ANCHORS AT INTERSECTION.



Engineered Grout Injection Anchors by:
Cintec Reinforcement Systems
Tel: 1-410-761-0765
1-613-225-3381
Fax: 1-613-224-9042
E-mail: solutions@cintec.com

Drawing Title:

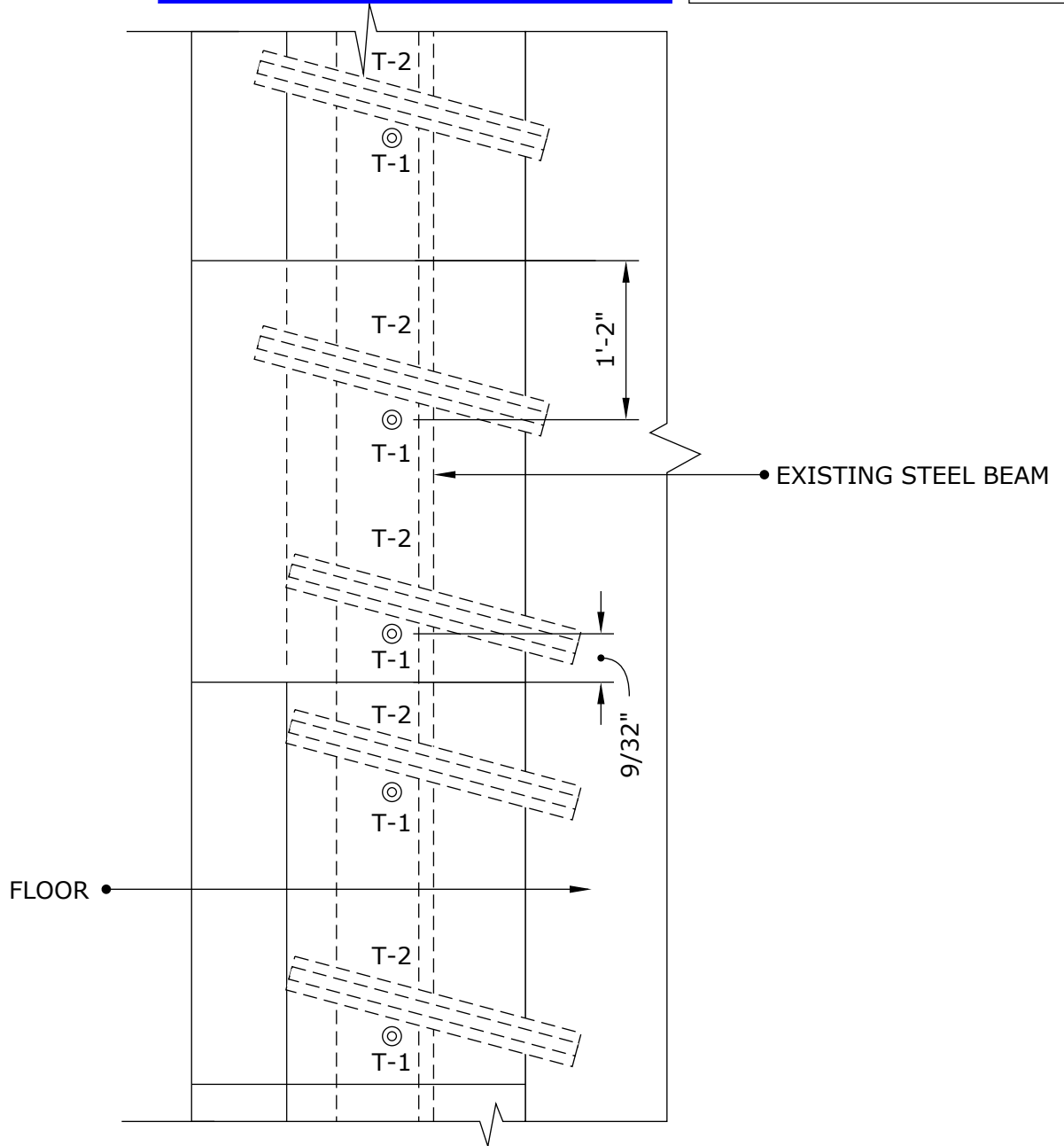
**CORNER STONE
ANCHORAGE**

CINTEC

REINFORCEMENT SYSTEMS

www.cintec.com

NOTICE: THIS DRAWING (INCLUDING THE DESIGN AND THE TECHNICAL INFORMATION SHOWN HEREON) BELONGS TO AND IS THE COPYRIGHT OF CINTEC REINFORCEMENT SYSTEMS ("Cintec") AND ACCORDINGLY THE PERSON, FIRM, COMPANY OR ORGANIZATION TO WHOM THIS DRAWING HAS BEEN PROVIDED MAY NOT COPY, RE-PRODUCE OR MAKE ANY USE OF THE DRAWING (INCLUDING THE DESIGN OR ANY OF THE TECHNICAL INFORMATION SHOWN HEREON) OR SHOW OR OTHERWISE PROVIDE THE DRAWING (OR THE SAID DESIGN OR ANY OF THE TECHNICAL INFORMATION) TO ANY THIRD PARTY WITHOUT CINTEC'S SPECIFIC PERMISSION.



Engineered Grout Injection Anchors by:
Cintec Reinforcement Systems
Tel: 1-410-761-0765
1-613-225-3381
Fax: 1-613-224-9042
E-mail: solutions@cintec.com

Drawing Title:

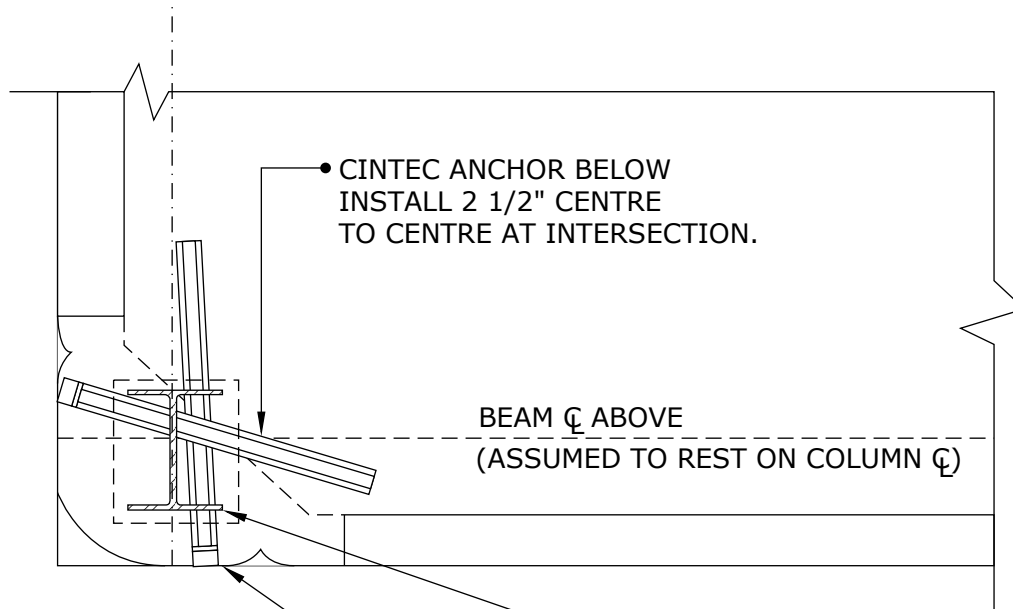
**CORNER STONE
ANCHORAGE**

CINTEC

REINFORCEMENT SYSTEMS

www.cintec.com

NOTICE: THIS DRAWING (INCLUDING THE DESIGN AND THE TECHNICAL INFORMATION SHOWN HEREON) BELONGS TO AND IS THE COPYRIGHT OF CINTEC REINFORCEMENT SYSTEMS ("Cintec") AND ACCORDINGLY THE PERSON, FIRM, COMPANY OR ORGANIZATION TO WHOM THIS DRAWING HAS BEEN PROVIDED MAY NOT COPY, RE-PRODUCE OR MAKE ANY USE OF THE DRAWING (INCLUDING THE DESIGN OR ANY OF THE TECHNICAL INFORMATION SHOWN HEREON) OR SHOW OR OTHERWISE PROVIDE THE DRAWING (OR THE SAID DESIGN OR ANY OF THE TECHNICAL INFORMATION) TO ANY THIRD PARTY WITHOUT CINTEC'S SPECIFIC PERMISSION.



• CINTEC ANCHOR BELOW
INSTALL 2 1/2" CENTRE
TO CENTRE AT INTERSECTION.

BEAM \varnothing ABOVE
(ASSUMED TO REST ON COLUMN \varnothing)

- CINTEC ANCHOR:
 - 30mm \varnothing STAINLESS STEEL ROD (1 1/4" \varnothing)
 - 60mm \varnothing HOLE (2 1/2" \varnothing)
 - SOCKED FULL LENGTH

RETAIN AND REINSTALL STONE
PLUG USING EPOXY.
KEEP EPOXY 1/2" BACK FROM
FACE OF STONE AND POINT
ONCE EPOXY IS SET AND CURED,
OR COLOR MATCHED MORTAR PLUG.

NOTES:

1. ORIENTATION OF STEEL COLUMN SHOULD BE DETERMINED PRIOR TO ANCHOR INSTALLATION.
2. IN EACH PAIR OF ANCHORS UPPER ANCHOR SHALL BE INSTALLED THROUGH BOTH COLUMN FLANGES.



Engineered Grout Injection Anchors by:
Cintec Reinforcement Systems
Tel: 1-410-761-0765
1-613-225-3381
Fax: 1-613-224-9042
E-mail: solutions@cintec.com

Drawing Title:

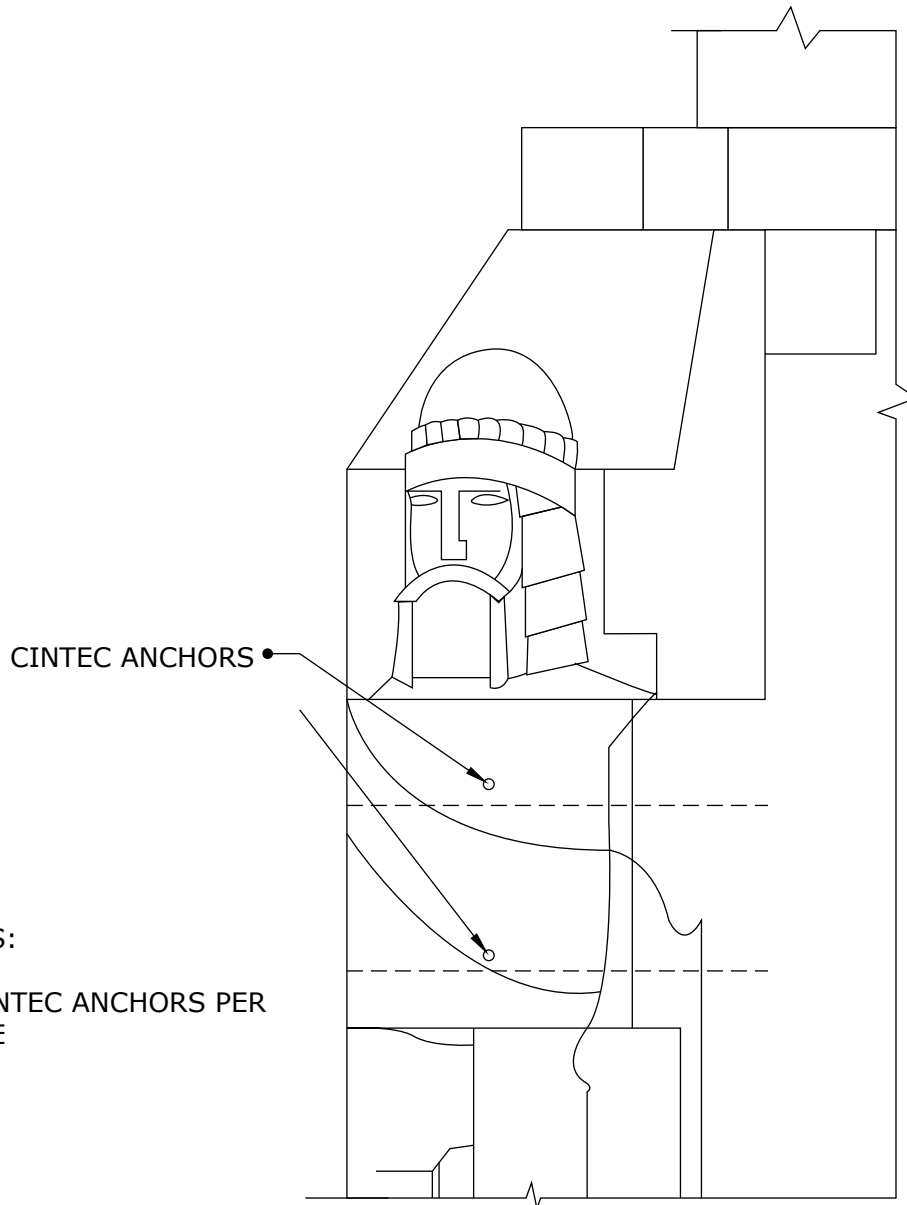
**CORNER STONE
ANCHORAGE**

CINTEC

REINFORCEMENT SYSTEMS

www.cintec.com

NOTICE: THIS DRAWING (INCLUDING THE DESIGN AND THE TECHNICAL INFORMATION SHOWN HEREON) BELONGS TO AND IS THE COPYRIGHT OF CINTEC REINFORCEMENT SYSTEMS ("Cintec") AND ACCORDINGLY THE PERSON, FIRM, COMPANY OR ORGANIZATION TO WHOM THIS DRAWING HAS BEEN PROVIDED MAY NOT COPY, RE-PRODUCE OR MAKE ANY USE OF THE DRAWING (INCLUDING THE DESIGN OR ANY OF THE TECHNICAL INFORMATION SHOWN HEREON) OR SHOW OR OTHERWISE PROVIDE THE DRAWING (OR THE SAID DESIGN OR ANY OF THE TECHNICAL INFORMATION) TO ANY THIRD PARTY WITHOUT CINTEC'S SPECIFIC PERMISSION.



NOTES:

- 4 CINTEC ANCHORS PER STONE



Engineered Grout Injection Anchors by:
Cintec Reinforcement Systems
Tel: 1-410-761-0765
1-613-225-3381
Fax: 1-613-224-9042
E-mail: solutions@cintec.com

Drawing Title:

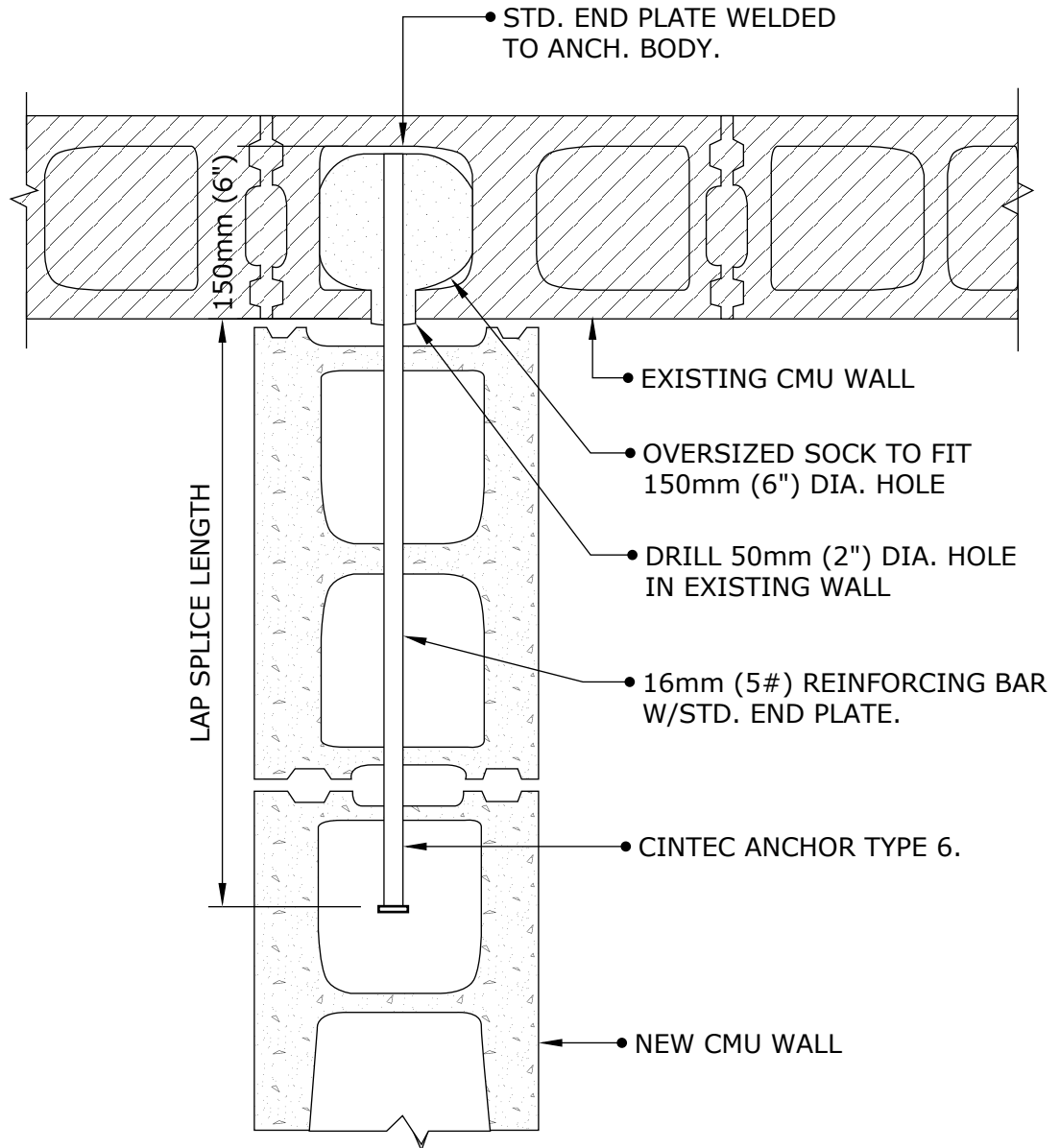
CORNER STONE ANCHORAGE

CINTEC

REINFORCEMENT SYSTEMS

www.cintec.com

NOTICE: THIS DRAWING (INCLUDING THE DESIGN AND THE TECHNICAL INFORMATION SHOWN HEREON) BELONGS TO AND IS THE COPYRIGHT OF CINTEC REINFORCEMENT SYSTEMS ("Cintec") AND ACCORDINGLY THE PERSON, FIRM, COMPANY OR ORGANIZATION TO WHOM THIS DRAWING HAS BEEN PROVIDED MAY NOT COPY, RE-PRODUCE OR MAKE ANY USE OF THE DRAWING (INCLUDING THE DESIGN OR ANY OF THE TECHNICAL INFORMATION SHOWN HEREON) OR SHOW OR OTHERWISE PROVIDE THE DRAWING (OR THE SAID DESIGN OR ANY OF THE TECHNICAL INFORMATION) TO ANY THIRD PARTY WITHOUT CINTEC'S SPECIFIC PERMISSION.



Engineered Grout Injection Anchors by:
Cintec Reinforcement Systems
Tel: 1-410-761-0765
1-613-225-3381
Fax: 1-613-224-9042
E-mail: solutions@cintec.com

Drawing Title:

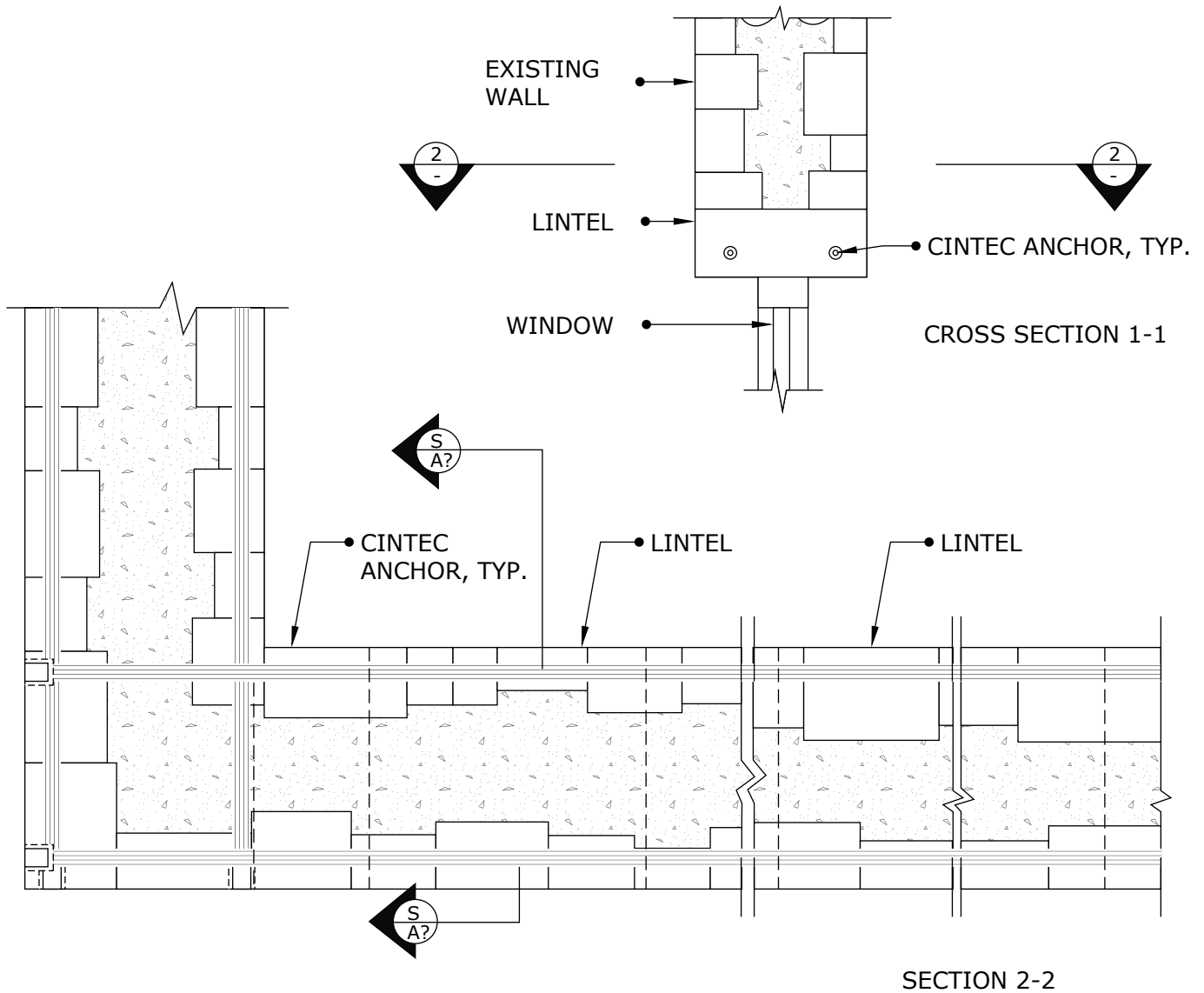
CINTEC ANCHOR

CINTEC

REINFORCEMENT SYSTEMS

www.cintec.com

NOTICE: THIS DRAWING (INCLUDING THE DESIGN AND THE TECHNICAL INFORMATION SHOWN HEREON) BELONGS TO AND IS THE COPYRIGHT OF CINTEC REINFORCEMENT SYSTEMS ("Cintec") AND ACCORDINGLY THE PERSON, FIRM, COMPANY OR ORGANIZATION TO WHOM THIS DRAWING HAS BEEN PROVIDED MAY NOT COPY, RE-PRODUCE OR MAKE ANY USE OF THE DRAWING (INCLUDING THE DESIGN OR ANY OF THE TECHNICAL INFORMATION SHOWN HEREON) OR SHOW OR OTHERWISE PROVIDE THE DRAWING (OR THE SAID DESIGN OR ANY OF THE TECHNICAL INFORMATION) TO ANY THIRD PARTY WITHOUT CINTEC'S SPECIFIC PERMISSION.



Engineered Grout Injection Anchors by:
Cintec Reinforcement Systems
 Tel: 1-410-761-0765
 1-613-225-3381
 Fax: 1-613-224-9042
 E-mail: solutions@cintec.com

Drawing Title:

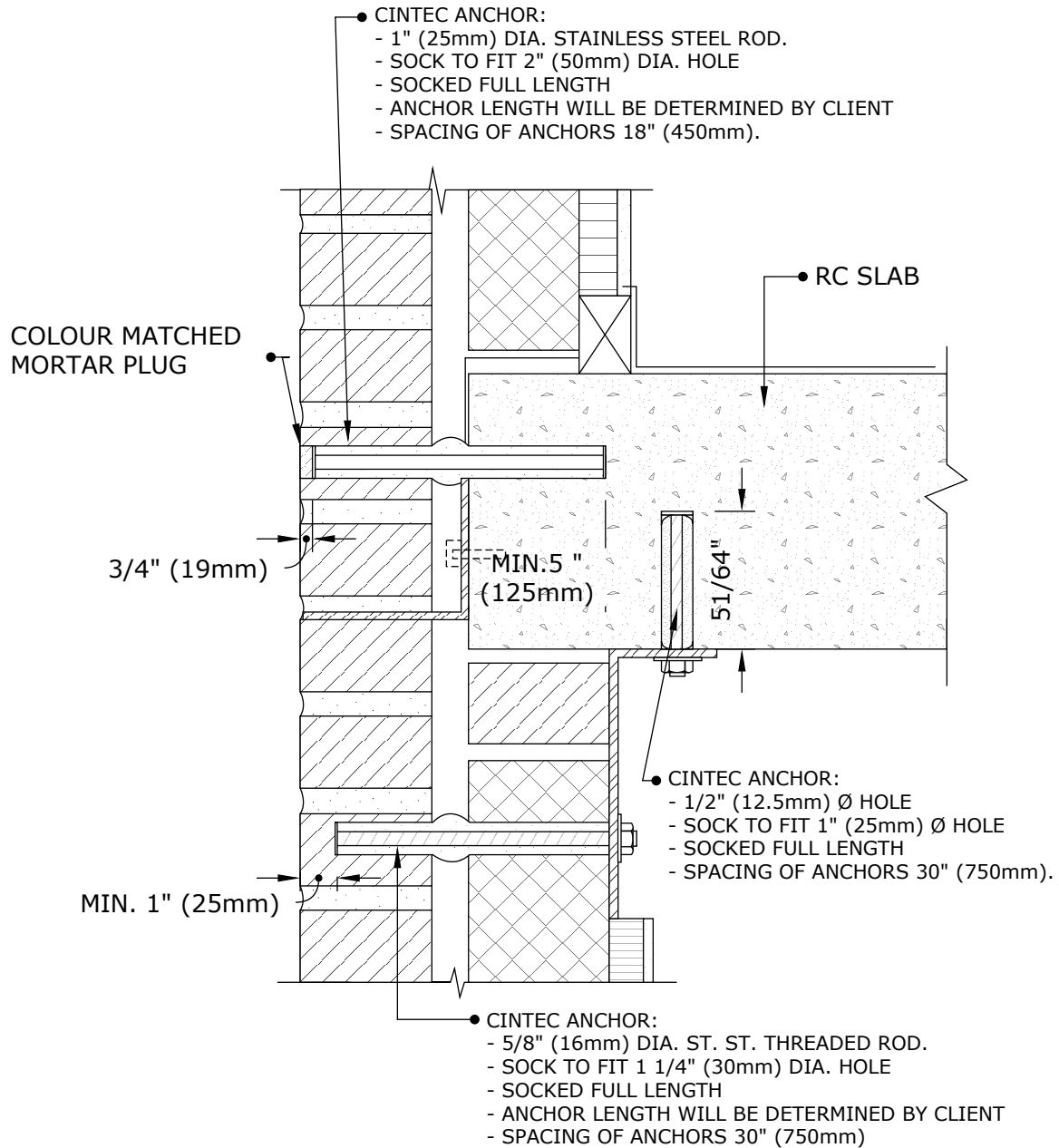
**CREATE "BELT COURSE"
 AROUND BUILDING**

CINTEC

REINFORCEMENT SYSTEMS

www.cintec.com

NOTICE: THIS DRAWING (INCLUDING THE DESIGN AND THE TECHNICAL INFORMATION SHOWN HEREON) BELONGS TO AND IS THE COPYRIGHT OF CINTEC REINFORCEMENT SYSTEMS ("Cintec") AND ACCORDINGLY THE PERSON, FIRM, COMPANY OR ORGANIZATION TO WHOM THIS DRAWING HAS BEEN PROVIDED MAY NOT COPY, RE-PRODUCE OR MAKE ANY USE OF THE DRAWING (INCLUDING THE DESIGN OR ANY OF THE TECHNICAL INFORMATION SHOWN HEREON) OR SHOW OR OTHERWISE PROVIDE THE DRAWING (OR THE SAID DESIGN OR ANY OF THE TECHNICAL INFORMATION) TO ANY THIRD PARTY WITHOUT CINTEC'S SPECIFIC PERMISSION.



Engineered Grout Injection Anchors by:
Cintec Reinforcement Systems
Tel: 1-410-761-0765
1-613-225-3381
Fax: 1-613-224-9042
E-mail: solutions@cintec.com

Drawing Title:

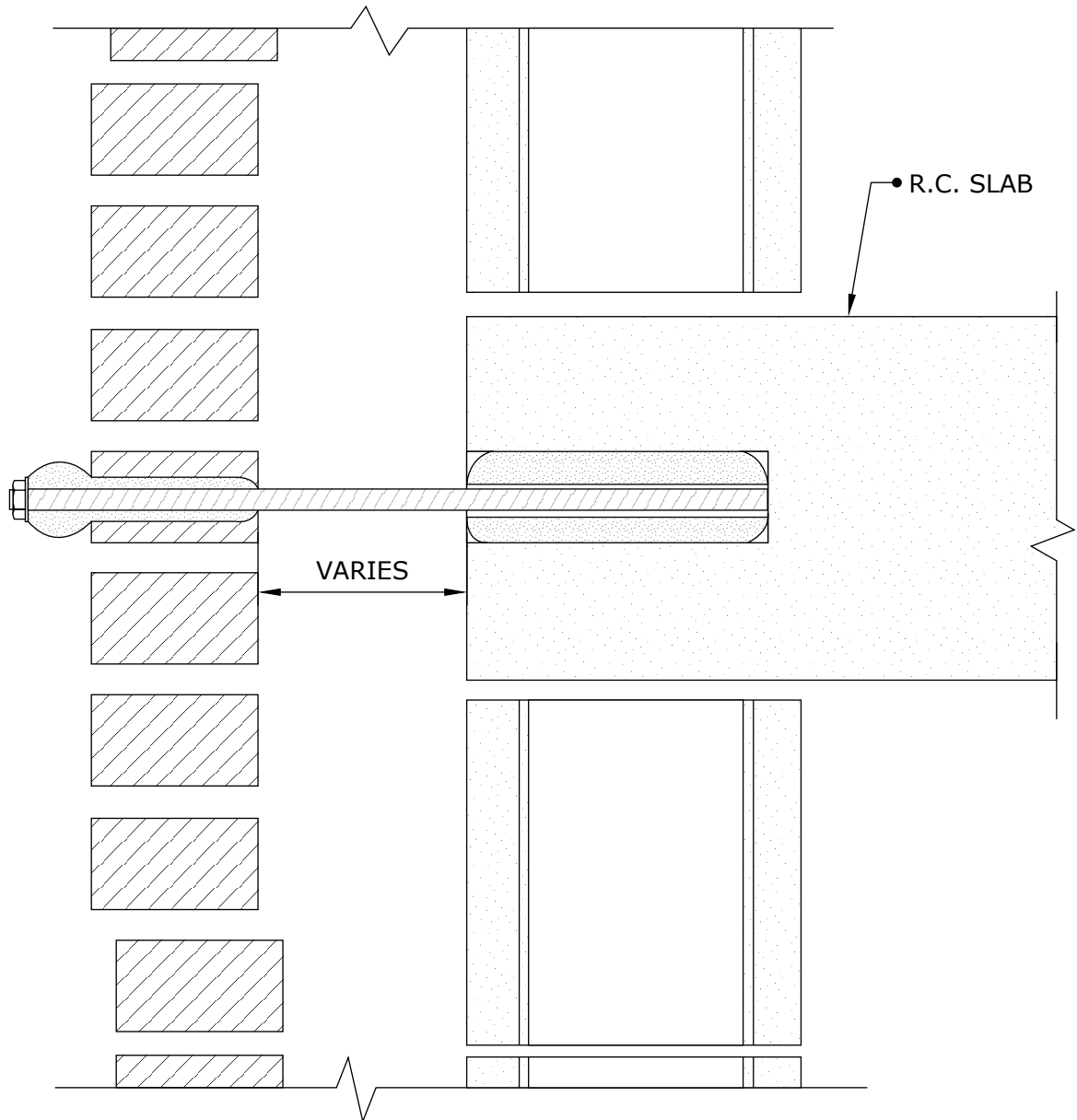
**BRICK PANEL
STABILIZATION
ANCHORS**

CINTEC

REINFORCEMENT SYSTEMS

www.cintec.com

NOTICE: THIS DRAWING (INCLUDING THE DESIGN AND THE TECHNICAL INFORMATION SHOWN HEREON) BELONGS TO AND IS THE COPYRIGHT OF CINTEC REINFORCEMENT SYSTEMS ("Cintec") AND ACCORDINGLY THE PERSON, FIRM, COMPANY OR ORGANIZATION TO WHOM THIS DRAWING HAS BEEN PROVIDED MAY NOT COPY, RE-PRODUCE OR MAKE ANY USE OF THE DRAWING (INCLUDING THE DESIGN OR ANY OF THE TECHNICAL INFORMATION SHOWN HEREON) OR SHOW OR OTHERWISE PROVIDE THE DRAWING (OR THE SAID DESIGN OR ANY OF THE TECHNICAL INFORMATION) TO ANY THIRD PARTY WITHOUT CINTEC'S SPECIFIC PERMISSION.



Engineered Grout Injection Anchors by:
Cintec Reinforcement Systems
Tel: 1-410-761-0765
1-613-225-3381
Fax: 1-613-224-9042
E-mail: solutions@cintec.com

Drawing Title:

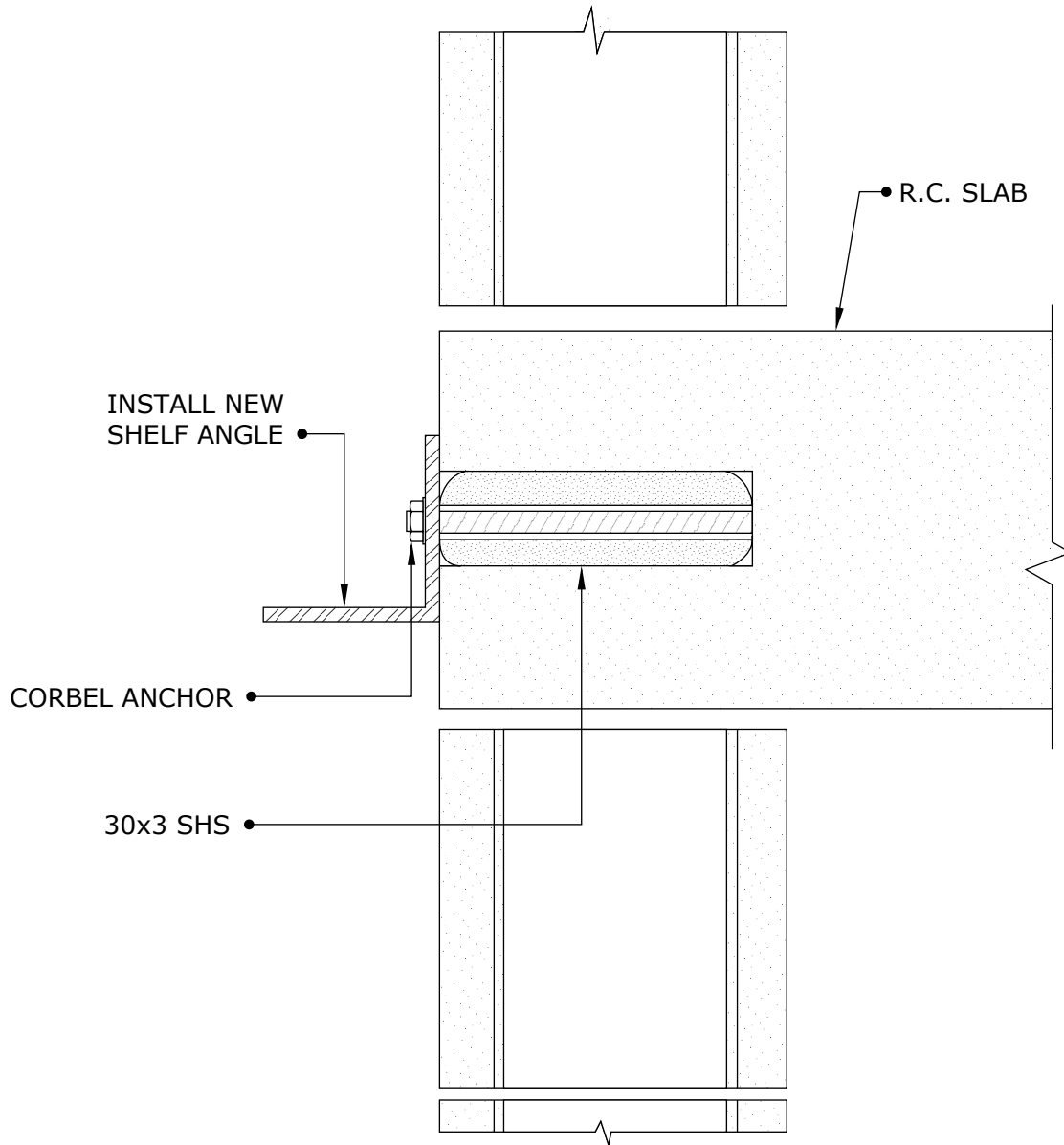
**BRICK PANEL
STABILIZATION
ANCHORS**

CINTEC

REINFORCEMENT SYSTEMS

www.cintec.com

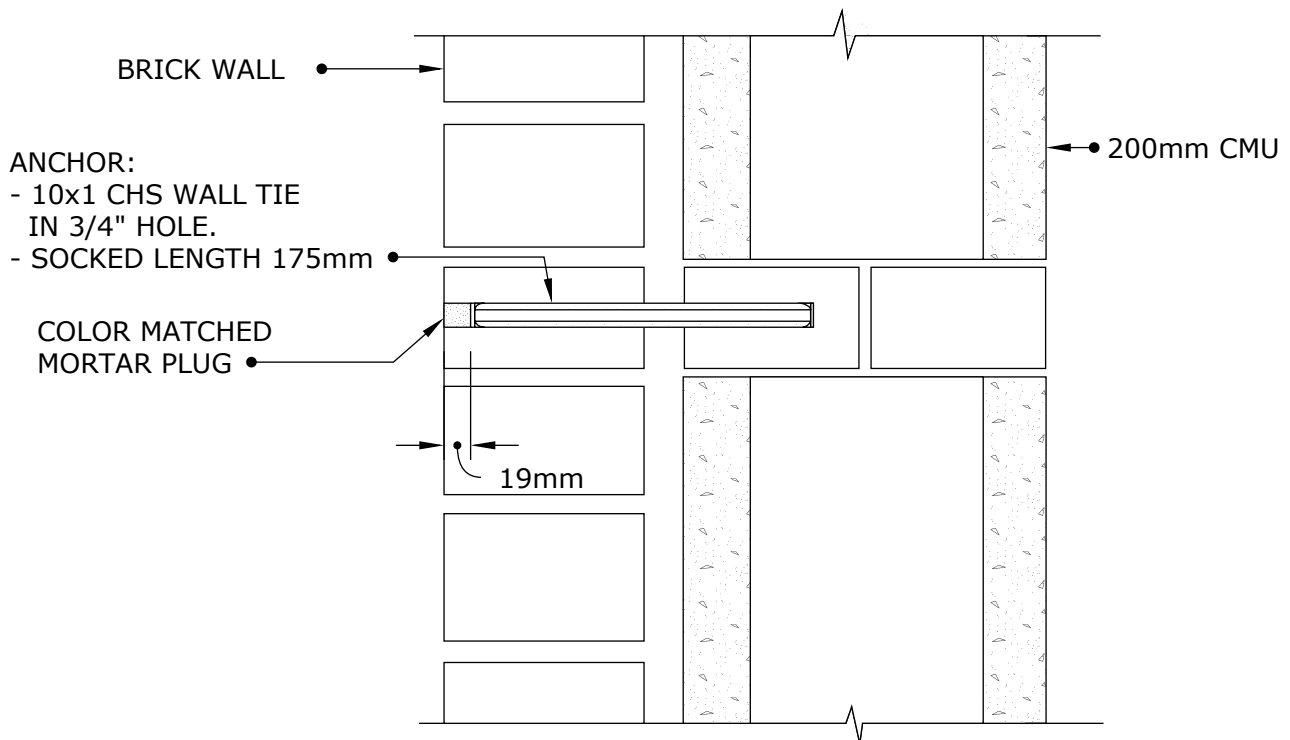
NOTICE: THIS DRAWING (INCLUDING THE DESIGN AND THE TECHNICAL INFORMATION SHOWN HEREON) BELONGS TO AND IS THE COPYRIGHT OF CINTEC REINFORCEMENT SYSTEMS ("Cintec") AND ACCORDINGLY THE PERSON, FIRM, COMPANY OR ORGANIZATION TO WHOM THIS DRAWING HAS BEEN PROVIDED MAY NOT COPY, RE-PRODUCE OR MAKE ANY USE OF THE DRAWING (INCLUDING THE DESIGN OR ANY OF THE TECHNICAL INFORMATION SHOWN HEREON) OR SHOW OR OTHERWISE PROVIDE THE DRAWING (OR THE SAID DESIGN OR ANY OF THE TECHNICAL INFORMATION) TO ANY THIRD PARTY WITHOUT CINTEC'S SPECIFIC PERMISSION.



Engineered Grout Injection Anchors by:
Cintec Reinforcement Systems
Tel: 1-410-761-0765
1-613-225-3381
Fax: 1-613-224-9042
E-mail: solutions@cintec.com

Drawing Title:

CORBEL ANCHOR



NOTES:

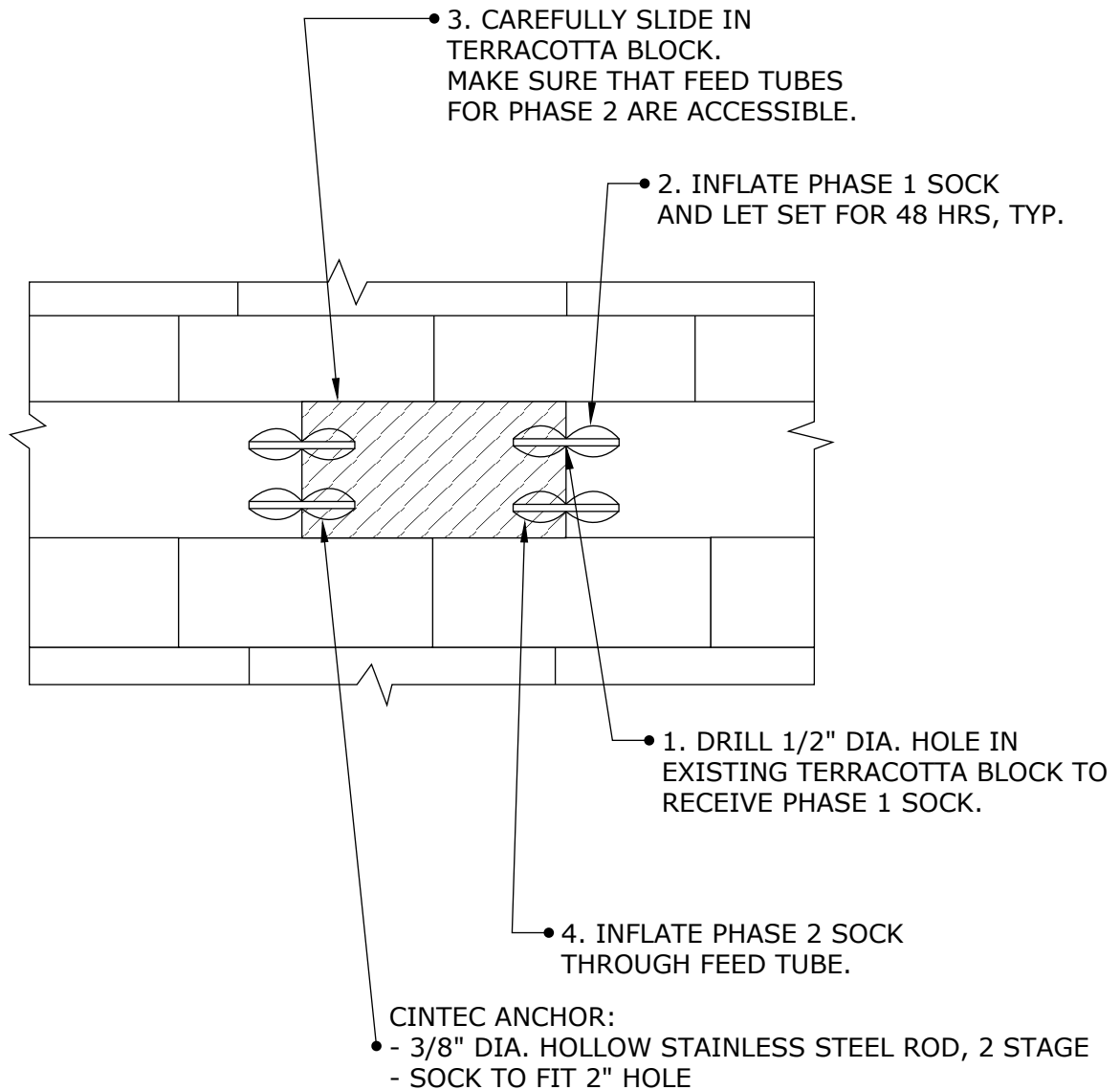
1. WALL TIE ANCHOR TO BE INSTALLED AT 600mm VERTICAL SPACING AND 1000mm HORIZONTAL SPACING
2. ANCHORS SHOULD BE INSTALLED IN BRICK HEADER COURSES OR CONCRETE BLOCK

CINTEC

REINFORCEMENT SYSTEMS

www.cintec.com

NOTICE: THIS DRAWING (INCLUDING THE DESIGN AND THE TECHNICAL INFORMATION SHOWN HEREON) BELONGS TO AND IS THE COPYRIGHT OF CINTEC REINFORCEMENT SYSTEMS ("Cintec") AND ACCORDINGLY THE PERSON, FIRM, COMPANY OR ORGANIZATION TO WHOM THIS DRAWING HAS BEEN PROVIDED MAY NOT COPY, RE-PRODUCE OR MAKE ANY USE OF THE DRAWING (INCLUDING THE DESIGN OR ANY OF THE TECHNICAL INFORMATION SHOWN HEREON) OR SHOW OR OTHERWISE PROVIDE THE DRAWING (OR THE SAID DESIGN OR ANY OF THE TECHNICAL INFORMATION) TO ANY THIRD PARTY WITHOUT CINTEC'S SPECIFIC PERMISSION.



Engineered Grout Injection Anchors by:
Cintec Reinforcement Systems
Tel: 1-410-761-0765
1-613-225-3381
Fax: 1-613-224-9042
E-mail: solutions@cintec.com

Drawing Title:

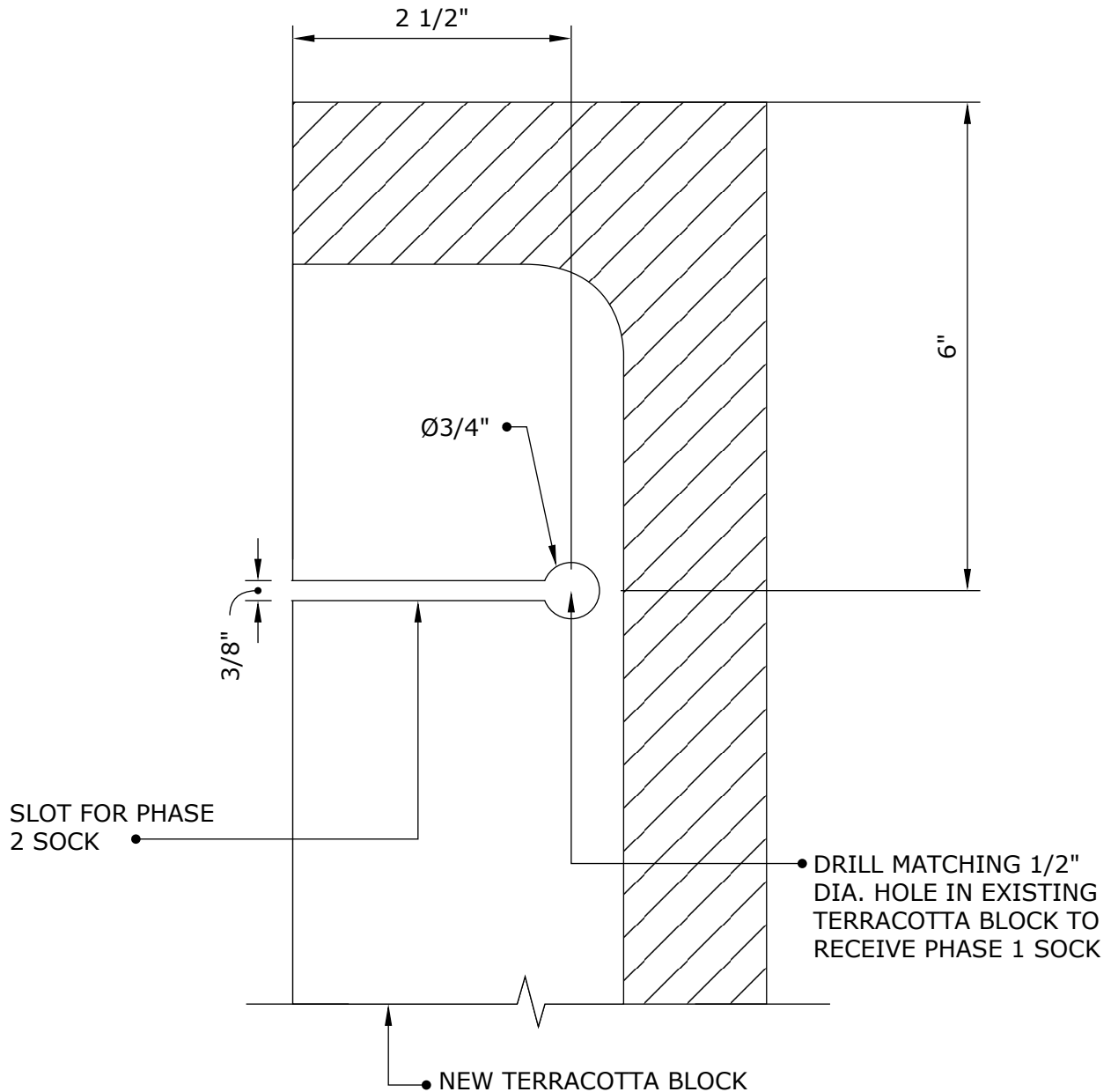
**NEW TERRACOTTA
BLOCK INSTALLATION**

CINTEC

REINFORCEMENT SYSTEMS

www.cintec.com

NOTICE: THIS DRAWING (INCLUDING THE DESIGN AND THE TECHNICAL INFORMATION SHOWN HEREON) BELONGS TO AND IS THE COPYRIGHT OF CINTEC REINFORCEMENT SYSTEMS ("Cintec") AND ACCORDINGLY THE PERSON, FIRM, COMPANY OR ORGANIZATION TO WHOM THIS DRAWING HAS BEEN PROVIDED MAY NOT COPY, RE-PRODUCE OR MAKE ANY USE OF THE DRAWING (INCLUDING THE DESIGN OR ANY OF THE TECHNICAL INFORMATION SHOWN HEREON) OR SHOW OR OTHERWISE PROVIDE THE DRAWING (OR THE SAID DESIGN OR ANY OF THE TECHNICAL INFORMATION) TO ANY THIRD PARTY WITHOUT CINTEC'S SPECIFIC PERMISSION.



Engineered Grout Injection Anchors by:
Cintec Reinforcement Systems
Tel: 1-410-761-0765
1-613-225-3381
Fax: 1-613-224-9042
E-mail: solutions@cintec.com

Drawing Title:

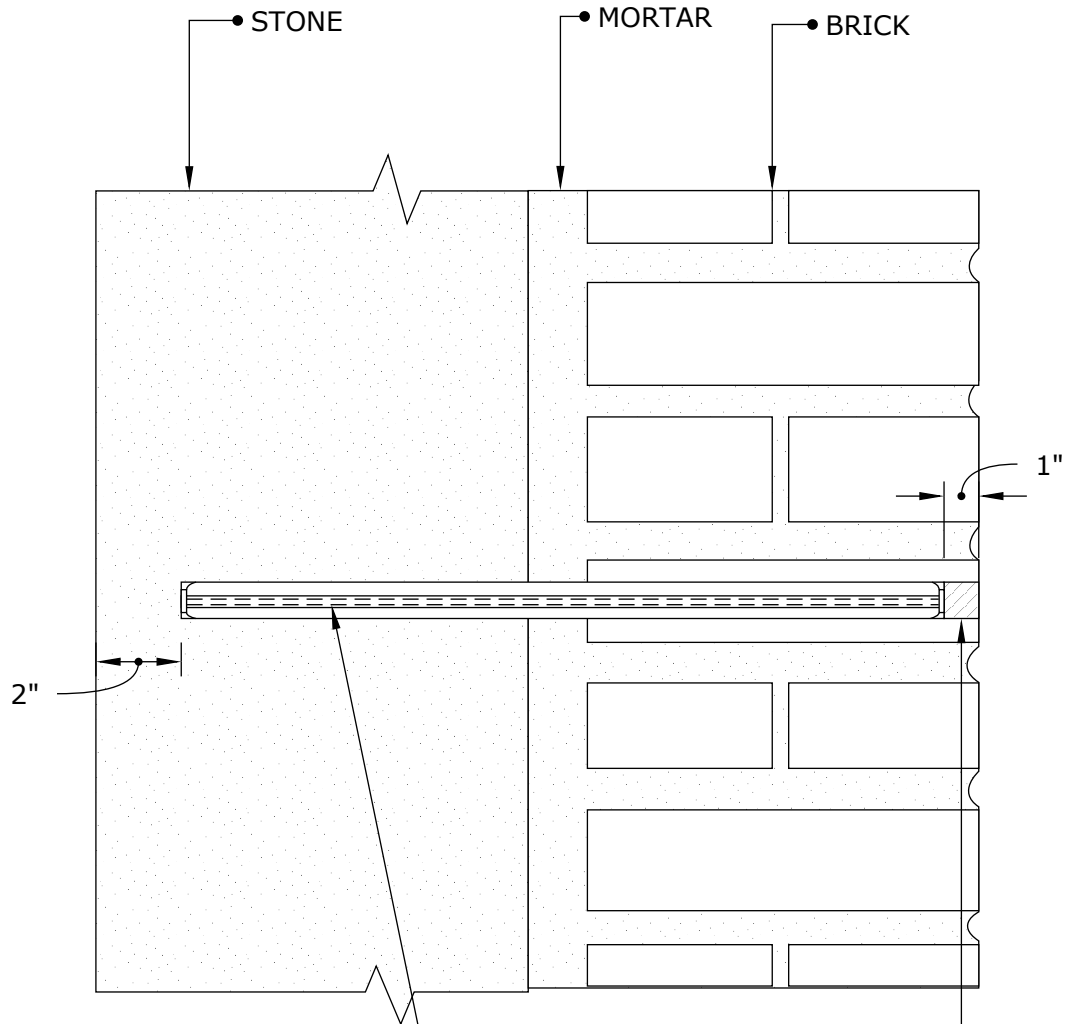
**NEW TERRACOTTA
BLOCK INSTALLATION
DETAIL**

CINTEC

REINFORCEMENT SYSTEMS

www.cintec.com

NOTICE: THIS DRAWING (INCLUDING THE DESIGN AND THE TECHNICAL INFORMATION SHOWN HEREON) BELONGS TO AND IS THE COPYRIGHT OF CINTEC REINFORCEMENT SYSTEMS ("Cintec") AND ACCORDINGLY THE PERSON, FIRM, COMPANY OR ORGANIZATION TO WHOM THIS DRAWING HAS BEEN PROVIDED MAY NOT COPY, RE-PRODUCE OR MAKE ANY USE OF THE DRAWING (INCLUDING THE DESIGN OR ANY OF THE TECHNICAL INFORMATION SHOWN HEREON) OR SHOW OR OTHERWISE PROVIDE THE DRAWING (OR THE SAID DESIGN OR ANY OF THE TECHNICAL INFORMATION) TO ANY THIRD PARTY WITHOUT CINTEC'S SPECIFIC PERMISSION.



CINTEC ANCHOR:

- 3/8" DIA. CHS
- SOCKED FULL LENGTH
- LENGTH TO BE DETERMINED ON SITE

RESTORE HOLE AS PER ARCHITECT'S INSTRUCTION



Engineered Grout Injection Anchors by:
Cintec Reinforcement Systems
Tel: 1-410-761-0765
1-613-225-3381
Fax: 1-613-224-9042
E-mail: solutions@cintec.com

Drawing Title:

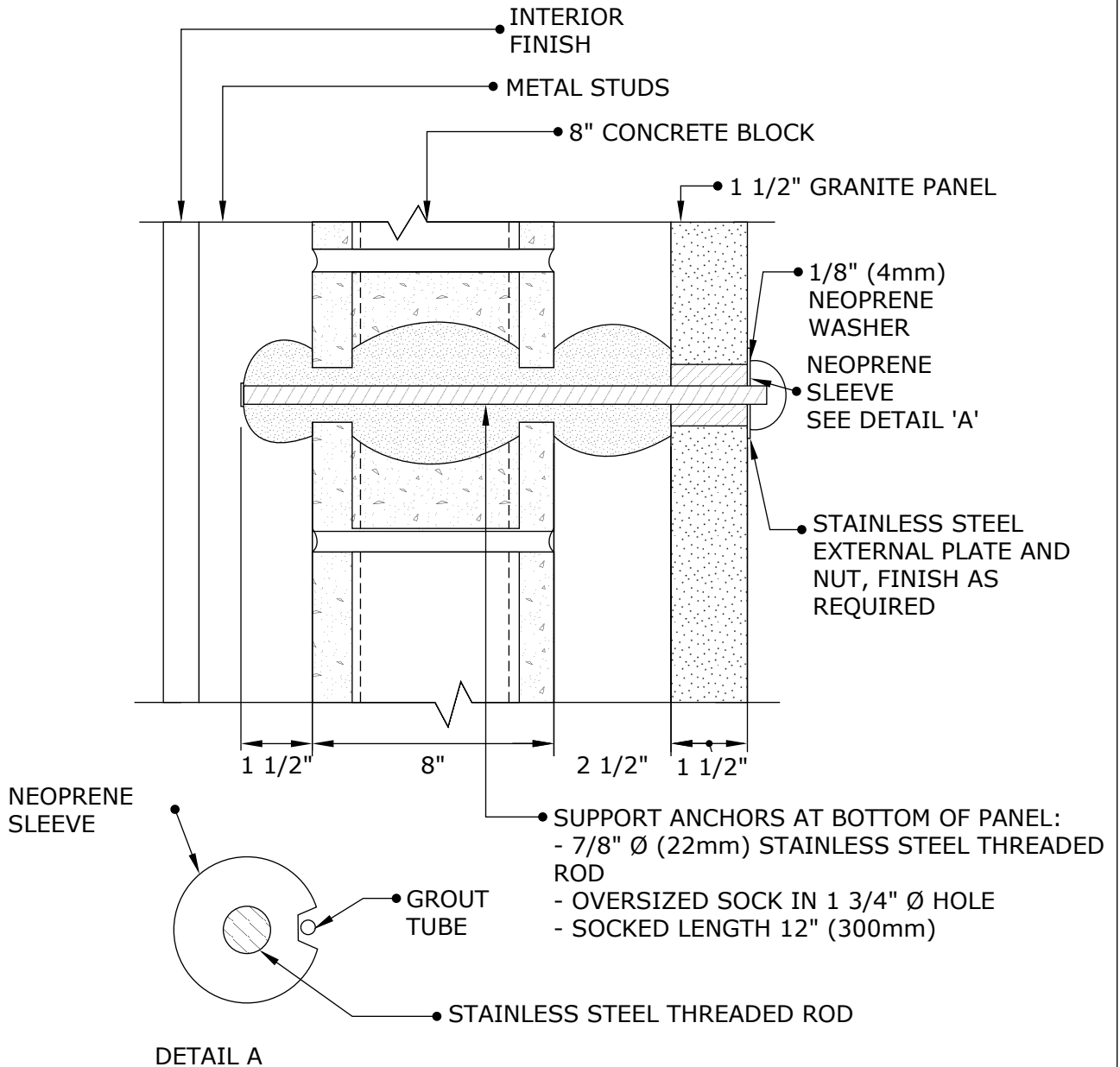
CINTEC ANCHOR

CINTEC

REINFORCEMENT SYSTEMS

www.cintec.com

NOTICE: THIS DRAWING (INCLUDING THE DESIGN AND THE TECHNICAL INFORMATION SHOWN HEREON) BELONGS TO AND IS THE COPYRIGHT OF CINTEC REINFORCEMENT SYSTEMS ("Cintec") AND ACCORDINGLY THE PERSON, FIRM, COMPANY OR ORGANIZATION TO WHOM THIS DRAWING HAS BEEN PROVIDED MAY NOT COPY, RE-PRODUCE OR MAKE ANY USE OF THE DRAWING (INCLUDING THE DESIGN OR ANY OF THE TECHNICAL INFORMATION SHOWN HEREON) OR SHOW OR OTHERWISE PROVIDE THE DRAWING (OR THE SAID DESIGN OR ANY OF THE TECHNICAL INFORMATION) TO ANY THIRD PARTY WITHOUT CINTEC'S SPECIFIC PERMISSION.



Engineered Grout Injection Anchors by:
Cintec Reinforcement Systems
 Tel: 1-410-761-0765
 1-613-225-3381
 Fax: 1-613-224-9042
 E-mail: solutions@cintec.com

Drawing Title:

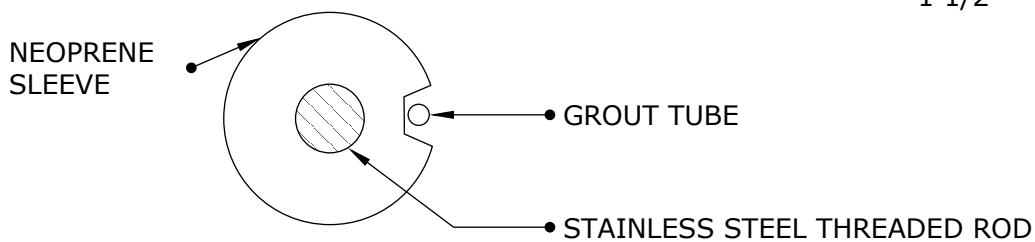
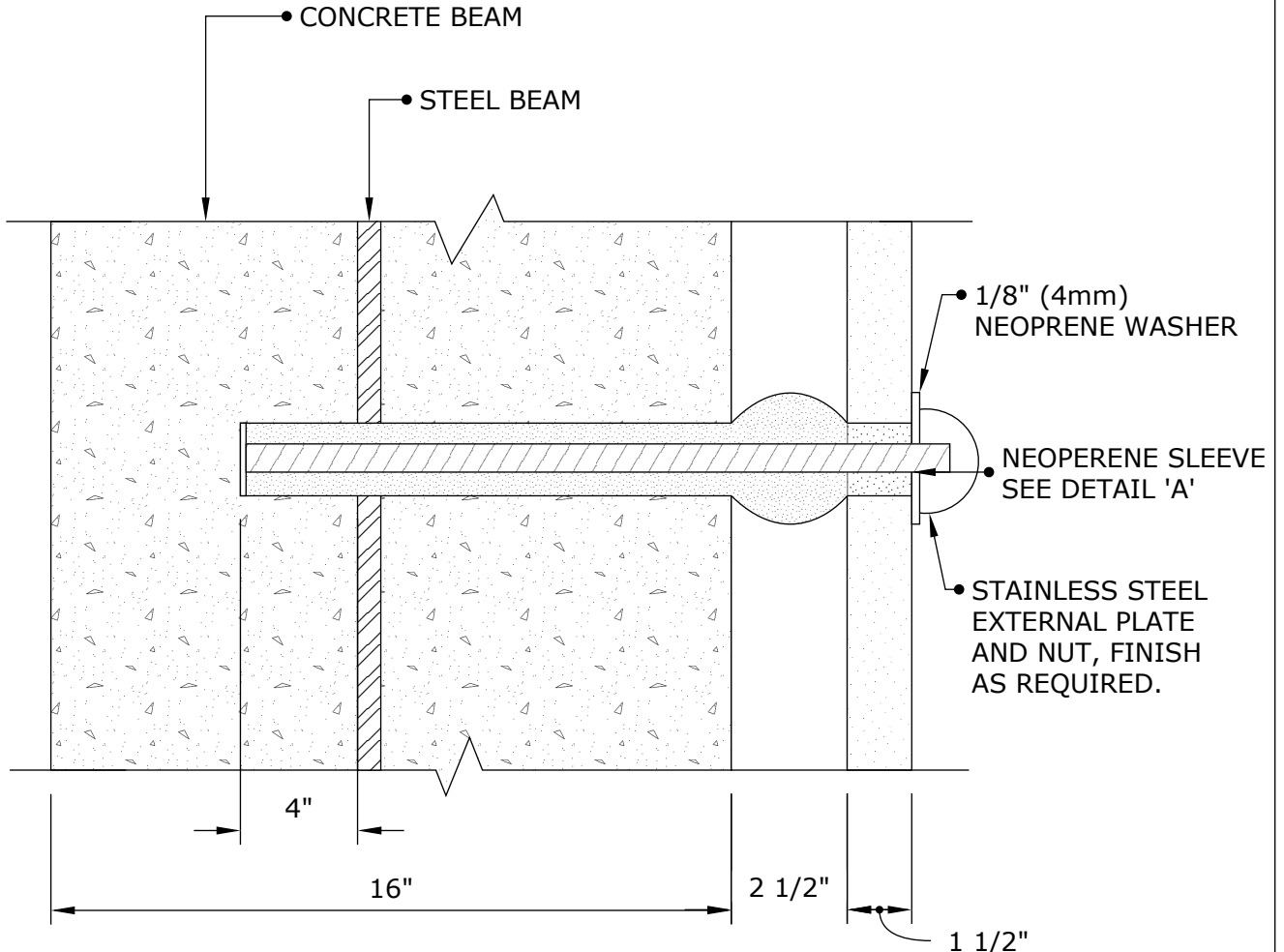
PANEL SUPPORT ANCHOR IN CONCRETE BLOCK

CINTEC

REINFORCEMENT SYSTEMS

www.cintec.com

NOTICE: THIS DRAWING (INCLUDING THE DESIGN AND THE TECHNICAL INFORMATION SHOWN HEREON) BELONGS TO AND IS THE COPYRIGHT OF CINTEC REINFORCEMENT SYSTEMS ("Cintec") AND ACCORDINGLY THE PERSON, FIRM, COMPANY OR ORGANIZATION TO WHOM THIS DRAWING HAS BEEN PROVIDED MAY NOT COPY, RE-PRODUCE OR MAKE ANY USE OF THE DRAWING (INCLUDING THE DESIGN OR ANY OF THE TECHNICAL INFORMATION SHOWN HEREON) OR SHOW OR OTHERWISE PROVIDE THE DRAWING (OR THE SAID DESIGN OR ANY OF THE TECHNICAL INFORMATION) TO ANY THIRD PARTY WITHOUT CINTEC'S SPECIFIC PERMISSION.



DETAIL 'A'



Engineered Grout Injection Anchors by:
Cintec Reinforcement Systems
Tel: 1-410-761-0765
1-613-225-3381
Fax: 1-613-224-9042
E-mail: solutions@cintec.com

Drawing Title:

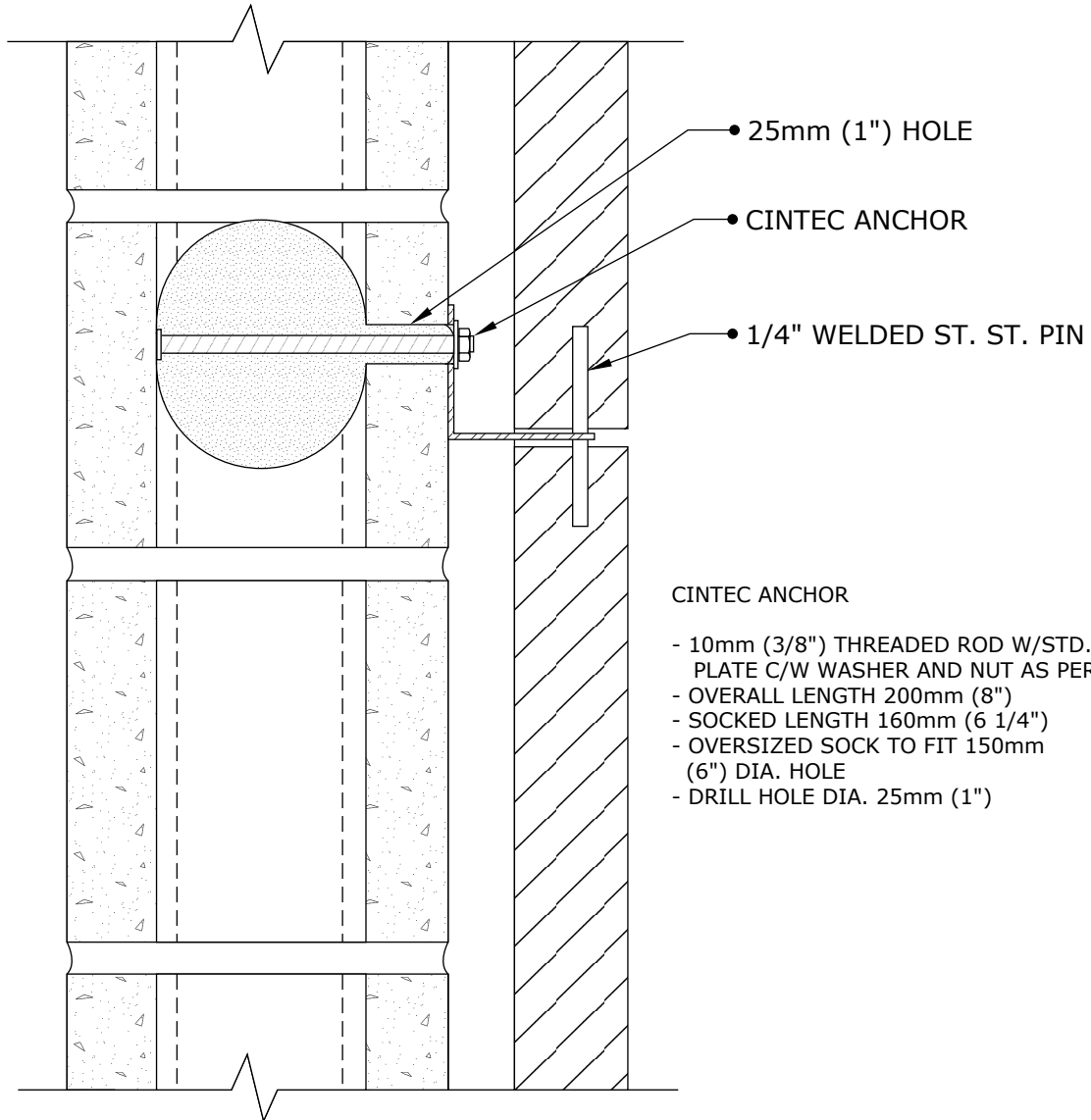
**PANEL SUPPORT
ANCHOR IN CONCRETE
BEAM**

CINTEC

REINFORCEMENT SYSTEMS

www.cintec.com

NOTICE: THIS DRAWING (INCLUDING THE DESIGN AND THE TECHNICAL INFORMATION SHOWN HEREON) BELONGS TO AND IS THE COPYRIGHT OF CINTEC REINFORCEMENT SYSTEMS ("Cintec") AND ACCORDINGLY THE PERSON, FIRM, COMPANY OR ORGANIZATION TO WHOM THIS DRAWING HAS BEEN PROVIDED MAY NOT COPY, RE-PRODUCE OR MAKE ANY USE OF THE DRAWING (INCLUDING THE DESIGN OR ANY OF THE TECHNICAL INFORMATION SHOWN HEREON) OR SHOW OR OTHERWISE PROVIDE THE DRAWING (OR THE SAID DESIGN OR ANY OF THE TECHNICAL INFORMATION) TO ANY THIRD PARTY WITHOUT CINTEC'S SPECIFIC PERMISSION.



CINTEC
REINFORCEMENT SYSTEMS
www.cintec.com

Engineered Grout Injection Anchors by:
Cintec Reinforcement Systems
Tel: 1-410-761-0765
1-613-225-3381
Fax: 1-613-224-9042
E-mail: solutions@cintec.com

Drawing Title:

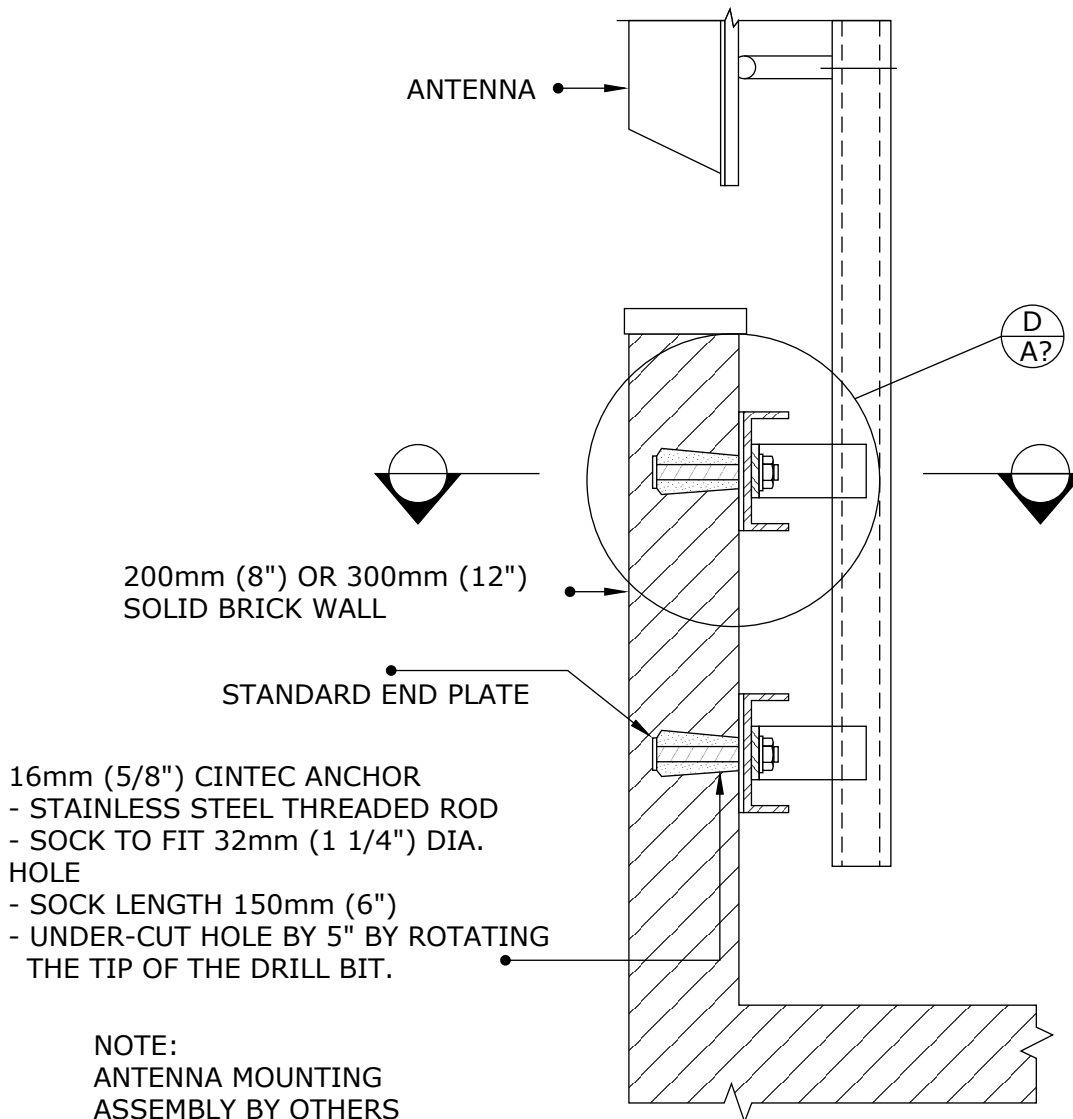
**STONE ANCHORING
DETAIL**

CINTEC

REINFORCEMENT SYSTEMS

www.cintec.com

NOTICE: THIS DRAWING (INCLUDING THE DESIGN AND THE TECHNICAL INFORMATION SHOWN HEREON) BELONGS TO AND IS THE COPYRIGHT OF CINTEC REINFORCEMENT SYSTEMS ("Cintec") AND ACCORDINGLY THE PERSON, FIRM, COMPANY OR ORGANIZATION TO WHOM THIS DRAWING HAS BEEN PROVIDED MAY NOT COPY, RE-PRODUCE OR MAKE ANY USE OF THE DRAWING (INCLUDING THE DESIGN OR ANY OF THE TECHNICAL INFORMATION SHOWN HEREON) OR SHOW OR OTHERWISE PROVIDE THE DRAWING (OR THE SAID DESIGN OR ANY OF THE TECHNICAL INFORMATION) TO ANY THIRD PARTY WITHOUT CINTEC'S SPECIFIC PERMISSION.



Engineered Grout Injection Anchors by:
Cintec Reinforcement Systems
Tel: 1-410-761-0765
1-613-225-3381
Fax: 1-613-224-9042
E-mail: solutions@cintec.com

Drawing Title:

**CINTEC ANCHOR
TYPICAL DETAIL**

CINTEC

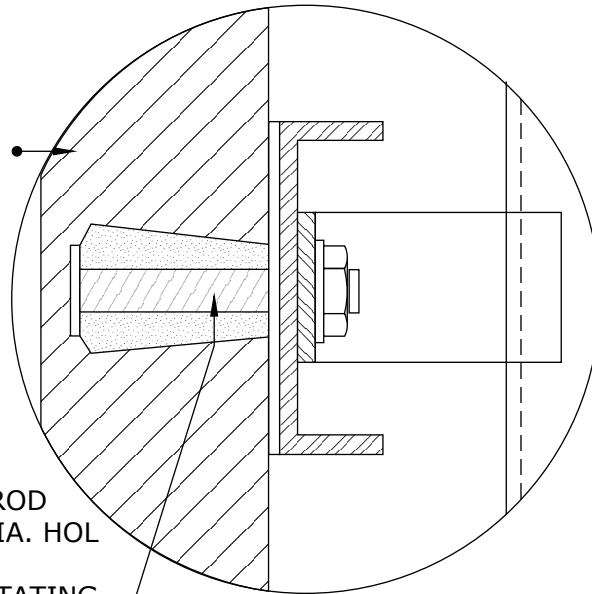
REINFORCEMENT SYSTEMS

www.cintec.com

NOTICE: THIS DRAWING (INCLUDING THE DESIGN AND THE TECHNICAL INFORMATION SHOWN HEREON) BELONGS TO AND IS THE COPYRIGHT OF CINTEC REINFORCEMENT SYSTEMS ("Cintec") AND ACCORDINGLY THE PERSON, FIRM, COMPANY OR ORGANIZATION TO WHOM THIS DRAWING HAS BEEN PROVIDED MAY NOT COPY, RE-PRODUCE OR MAKE ANY USE OF THE DRAWING (INCLUDING THE DESIGN OR ANY OF THE TECHNICAL INFORMATION SHOWN HEREON) OR SHOW OR OTHERWISE PROVIDE THE DRAWING (OR THE SAID DESIGN OR ANY OF THE TECHNICAL INFORMATION) TO ANY THIRD PARTY WITHOUT CINTEC'S SPECIFIC PERMISSION.

200mm (8") OR 300mm (12")
SOLID BRICK WALL

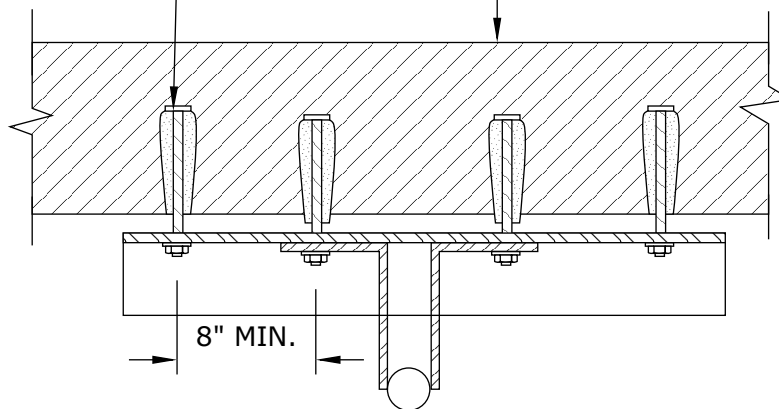
16mm (5/8") CINTEC ANCHOR
- STAINLESS STEEL THREADED ROD
- SOCK TO FIT 32mm (1 1/4") DIA. HOLE
- SOCK LENGTH 150mm (6")
- UNDER-CUT HOLE BY 5" BY ROTATING
THE TIP OF THE DRILL BIT.



CINTEC ANCHOR
UNDER-CUT, TYP.

DETAIL A

200mm (8") OR 300mm (12")
SOLID BRICK WALL



SECTION 1-1

CINTEC
REINFORCEMENT SYSTEMS
www.cintec.com

Engineered Grout Injection Anchors by:
Cintec Reinforcement Systems
Tel: 1-410-761-0765
1-613-225-3381
Fax: 1-613-224-9042
E-mail: solutions@cintec.com

Drawing Title:

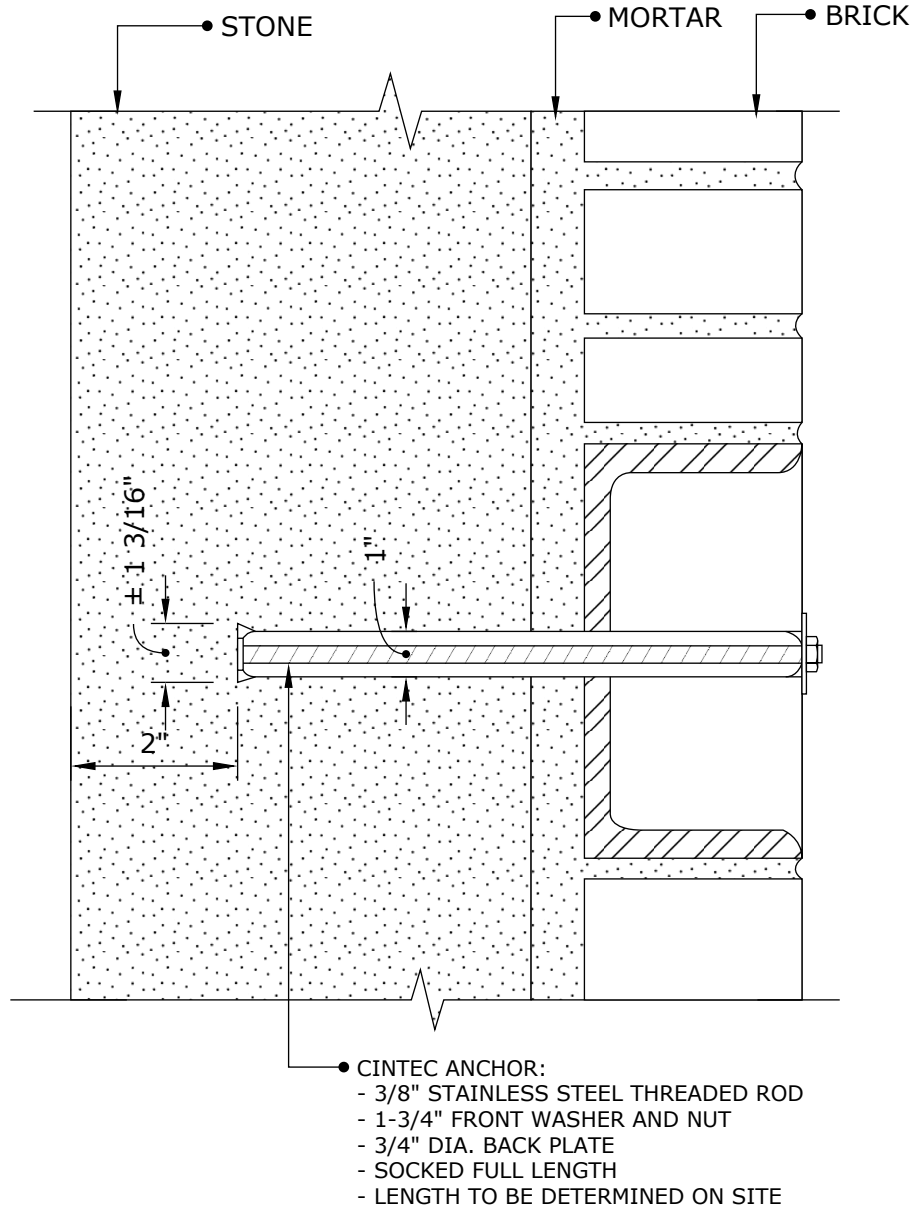
**CINTEC ANCHOR
TYPICAL DETAIL**

CINTEC

REINFORCEMENT SYSTEMS

www.cintec.com

NOTICE: THIS DRAWING (INCLUDING THE DESIGN AND THE TECHNICAL INFORMATION SHOWN HEREON) BELONGS TO AND IS THE COPYRIGHT OF CINTEC REINFORCEMENT SYSTEMS ("Cintec") AND ACCORDINGLY THE PERSON, FIRM, COMPANY OR ORGANIZATION TO WHOM THIS DRAWING HAS BEEN PROVIDED MAY NOT COPY, RE-PRODUCE OR MAKE ANY USE OF THE DRAWING (INCLUDING THE DESIGN OR ANY OF THE TECHNICAL INFORMATION SHOWN HEREON) OR SHOW OR OTHERWISE PROVIDE THE DRAWING (OR THE SAID DESIGN OR ANY OF THE TECHNICAL INFORMATION) TO ANY THIRD PARTY WITHOUT CINTEC'S SPECIFIC PERMISSION.



Engineered Grout Injection Anchors by:
Cintec Reinforcement Systems
Tel: 1-410-761-0765
1-613-225-3381
Fax: 1-613-224-9042
E-mail: solutions@cintec.com

Drawing Title:

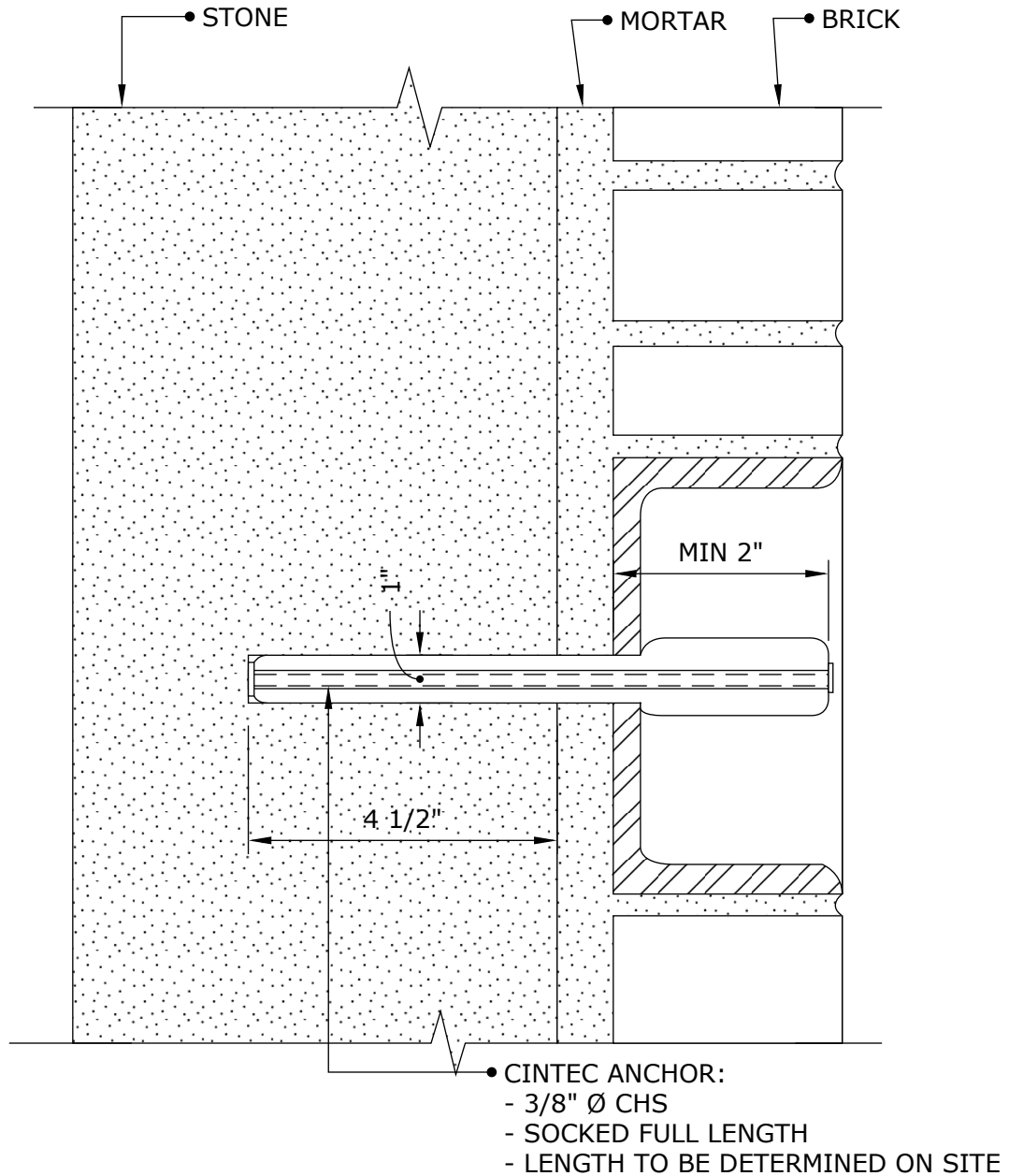
CINTEC ANCHOR

CINTEC

REINFORCEMENT SYSTEMS

www.cintec.com

NOTICE: THIS DRAWING (INCLUDING THE DESIGN AND THE TECHNICAL INFORMATION SHOWN HEREON) BELONGS TO AND IS THE COPYRIGHT OF CINTEC REINFORCEMENT SYSTEMS ("Cintec") AND ACCORDINGLY THE PERSON, FIRM, COMPANY OR ORGANIZATION TO WHOM THIS DRAWING HAS BEEN PROVIDED MAY NOT COPY, RE-PRODUCE OR MAKE ANY USE OF THE DRAWING (INCLUDING THE DESIGN OR ANY OF THE TECHNICAL INFORMATION SHOWN HEREON) OR SHOW OR OTHERWISE PROVIDE THE DRAWING (OR THE SAID DESIGN OR ANY OF THE TECHNICAL INFORMATION) TO ANY THIRD PARTY WITHOUT CINTEC'S SPECIFIC PERMISSION.



Engineered Grout Injection Anchors by:
Cintec Reinforcement Systems
Tel: 1-410-761-0765
1-613-225-3381
Fax: 1-613-224-9042
E-mail: solutions@cintec.com

Drawing Title:

CINTEC ANCHOR

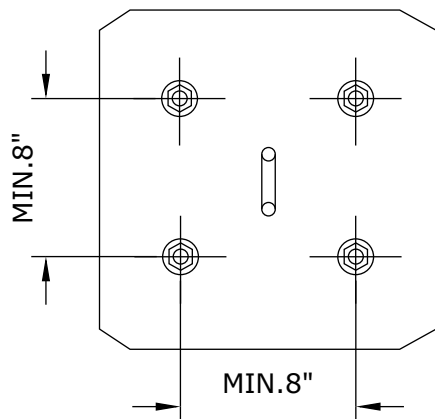
CINTEC

REINFORCEMENT SYSTEMS

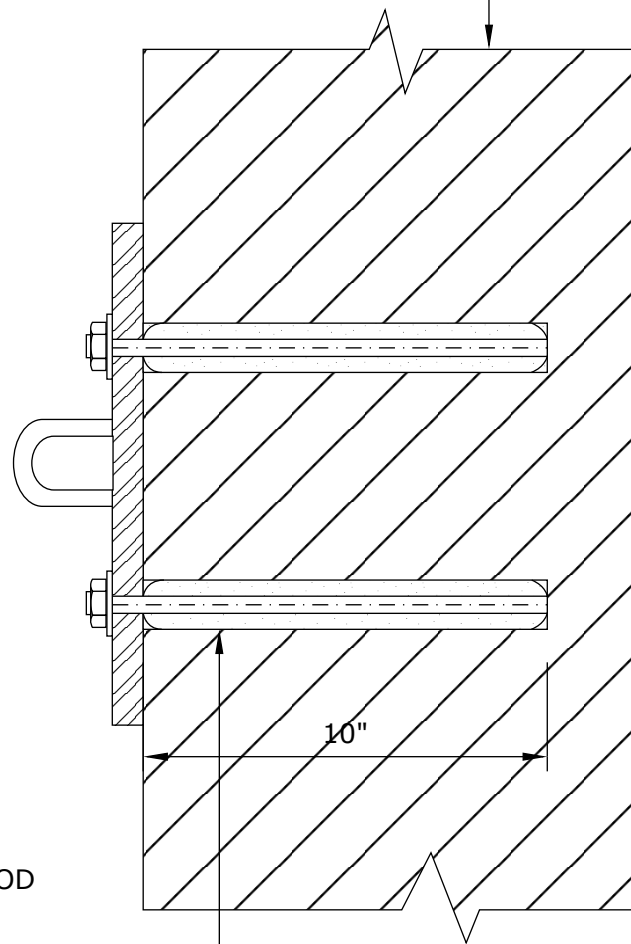
www.cintec.com

NOTICE: THIS DRAWING (INCLUDING THE DESIGN AND THE TECHNICAL INFORMATION SHOWN HEREON) BELONGS TO AND IS THE COPYRIGHT OF CINTEC REINFORCEMENT SYSTEMS ("Cintec") AND ACCORDINGLY THE PERSON, FIRM, COMPANY OR ORGANIZATION TO WHOM THIS DRAWING HAS BEEN PROVIDED MAY NOT COPY, RE-PRODUCE OR MAKE ANY USE OF THE DRAWING (INCLUDING THE DESIGN OR ANY OF THE TECHNICAL INFORMATION SHOWN HEREON) OR SHOW OR OTHERWISE PROVIDE THE DRAWING (OR THE SAID DESIGN OR ANY OF THE TECHNICAL INFORMATION) TO ANY THIRD PARTY WITHOUT CINTEC'S SPECIFIC PERMISSION.

EXISTING SOLID BRICK WALL



- CINTEC ANCHOR:
- 3/4"Ø STAINLESS STEEL ROD
 - SOCK TO FIT IN 2"Ø HOLE
 - SOCKED FULL LENGTH
 - 10" LONG



CINTEC
REINFORCEMENT SYSTEMS
www.cintec.com

Engineered Grout Injection Anchors by:
Cintec Reinforcement Systems
Tel: 1-410-761-0765
1-613-225-3381
Fax: 1-613-224-9042
E-mail: solutions@cintec.com

Drawing Title:

**BALCONY SUPPORTS
TOP PLATE**

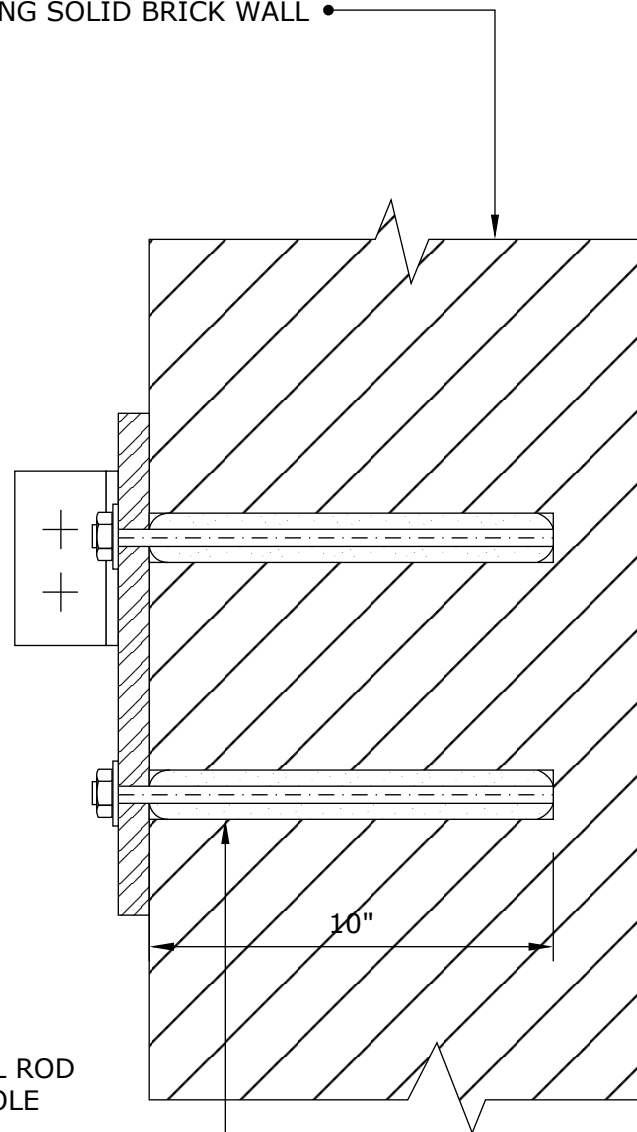
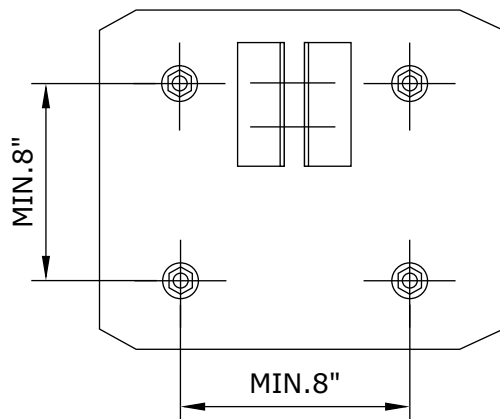
CINTEC

REINFORCEMENT SYSTEMS

www.cintec.com

NOTICE: THIS DRAWING (INCLUDING THE DESIGN AND THE TECHNICAL INFORMATION SHOWN HEREON) BELONGS TO AND IS THE COPYRIGHT OF CINTEC REINFORCEMENT SYSTEMS ("Cintec") AND ACCORDINGLY THE PERSON, FIRM, COMPANY OR ORGANIZATION TO WHOM THIS DRAWING HAS BEEN PROVIDED MAY NOT COPY, RE-PRODUCE OR MAKE ANY USE OF THE DRAWING (INCLUDING THE DESIGN OR ANY OF THE TECHNICAL INFORMATION SHOWN HEREON) OR SHOW OR OTHERWISE PROVIDE THE DRAWING (OR THE SAID DESIGN OR ANY OF THE TECHNICAL INFORMATION) TO ANY THIRD PARTY WITHOUT CINTEC'S SPECIFIC PERMISSION.

EXISTING SOLID BRICK WALL



- CINTEC ANCHOR:
- 3/4"Ø STAINLESS STEEL ROD
 - SOCK TO FIT IN 2"Ø HOLE
 - SOCKED FULL LENGTH
 - 10" LONG

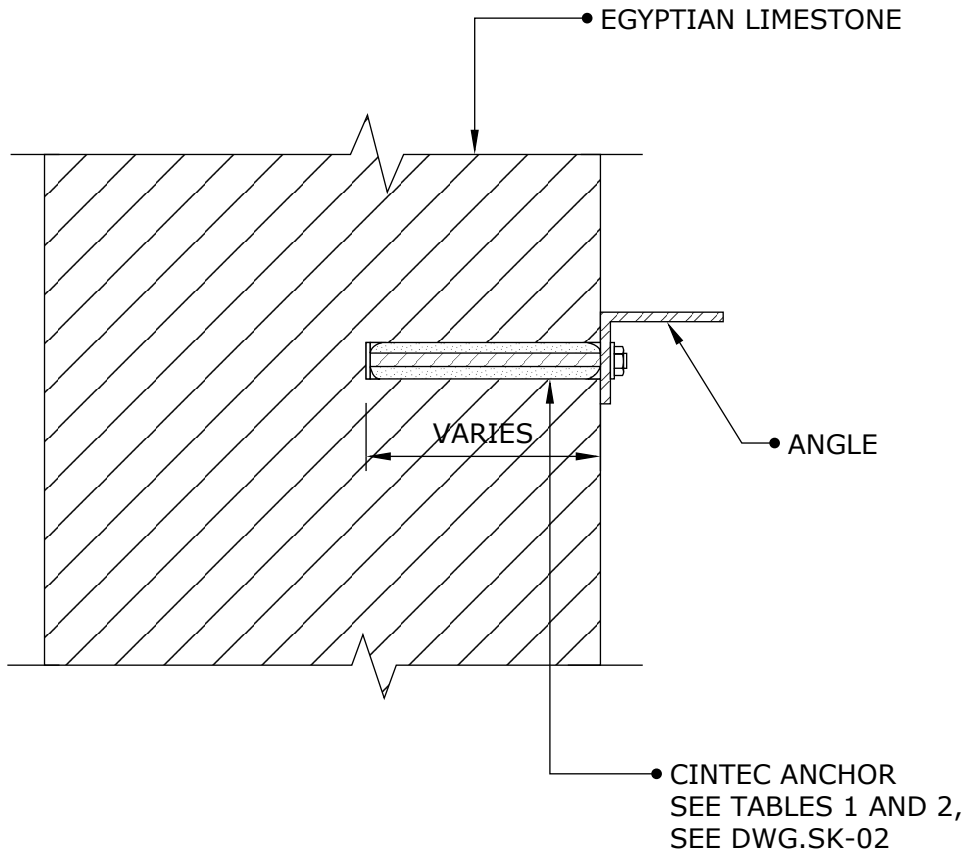


Engineered Grout Injection Anchors by:
Cintec Reinforcement Systems
Tel: 1-410-761-0765
1-613-225-3381
Fax: 1-613-224-9042
E-mail: solutions@cintec.com

Drawing Title:

**BALCONY SUPPORTS
BOTTOM PLATE**

NOTICE: THIS DRAWING (INCLUDING THE DESIGN AND THE TECHNICAL INFORMATION SHOWN HEREON) BELONGS TO AND IS THE COPYRIGHT OF CINTEC REINFORCEMENT SYSTEMS ("Cintec") AND ACCORDINGLY THE PERSON, FIRM, COMPANY OR ORGANIZATION TO WHOM THIS DRAWING HAS BEEN PROVIDED MAY NOT COPY, RE-PRODUCE OR MAKE ANY USE OF THE DRAWING (INCLUDING THE DESIGN OR ANY OF THE TECHNICAL INFORMATION SHOWN HEREON) OR SHOW OR OTHERWISE PROVIDE THE DRAWING (OR THE SAID DESIGN OR ANY OF THE TECHNICAL INFORMATION) TO ANY THIRD PARTY WITHOUT CINTEC'S SPECIFIC PERMISSION.



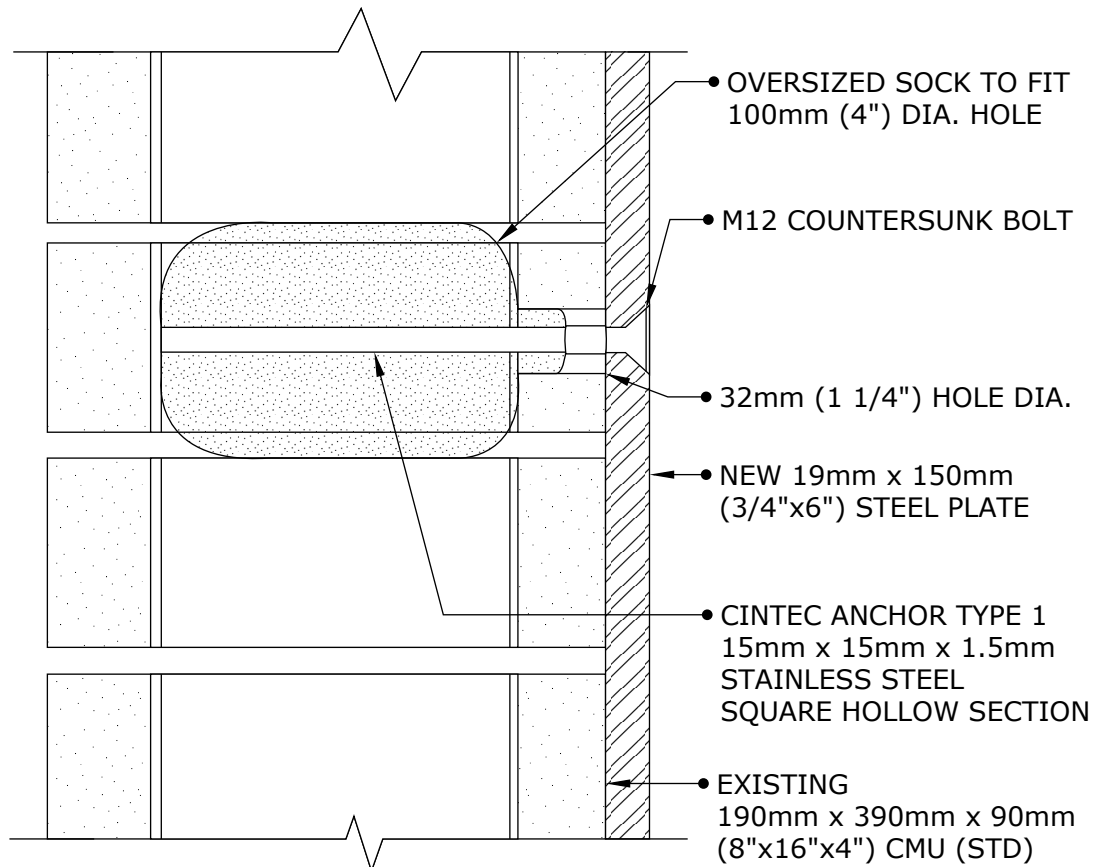
NOTE:
 1. ANCHOR LENGTH TO BE DETERMINED BY CLIENT PRIOR TO ORDERING.

CINTEC

REINFORCEMENT SYSTEMS

www.cintec.com

NOTICE: THIS DRAWING (INCLUDING THE DESIGN AND THE TECHNICAL INFORMATION SHOWN HEREON) BELONGS TO AND IS THE COPYRIGHT OF CINTEC REINFORCEMENT SYSTEMS ("Cintec") AND ACCORDINGLY THE PERSON, FIRM, COMPANY OR ORGANIZATION TO WHOM THIS DRAWING HAS BEEN PROVIDED MAY NOT COPY, RE-PRODUCE OR MAKE ANY USE OF THE DRAWING (INCLUDING THE DESIGN OR ANY OF THE TECHNICAL INFORMATION SHOWN HEREON) OR SHOW OR OTHERWISE PROVIDE THE DRAWING (OR THE SAID DESIGN OR ANY OF THE TECHNICAL INFORMATION) TO ANY THIRD PARTY WITHOUT CINTEC'S SPECIFIC PERMISSION.



Engineered Grout Injection Anchors by:
Cintec Reinforcement Systems
Tel: 1-410-761-0765
1-613-225-3381
Fax: 1-613-224-9042
E-mail: solutions@cintec.com

Drawing Title:

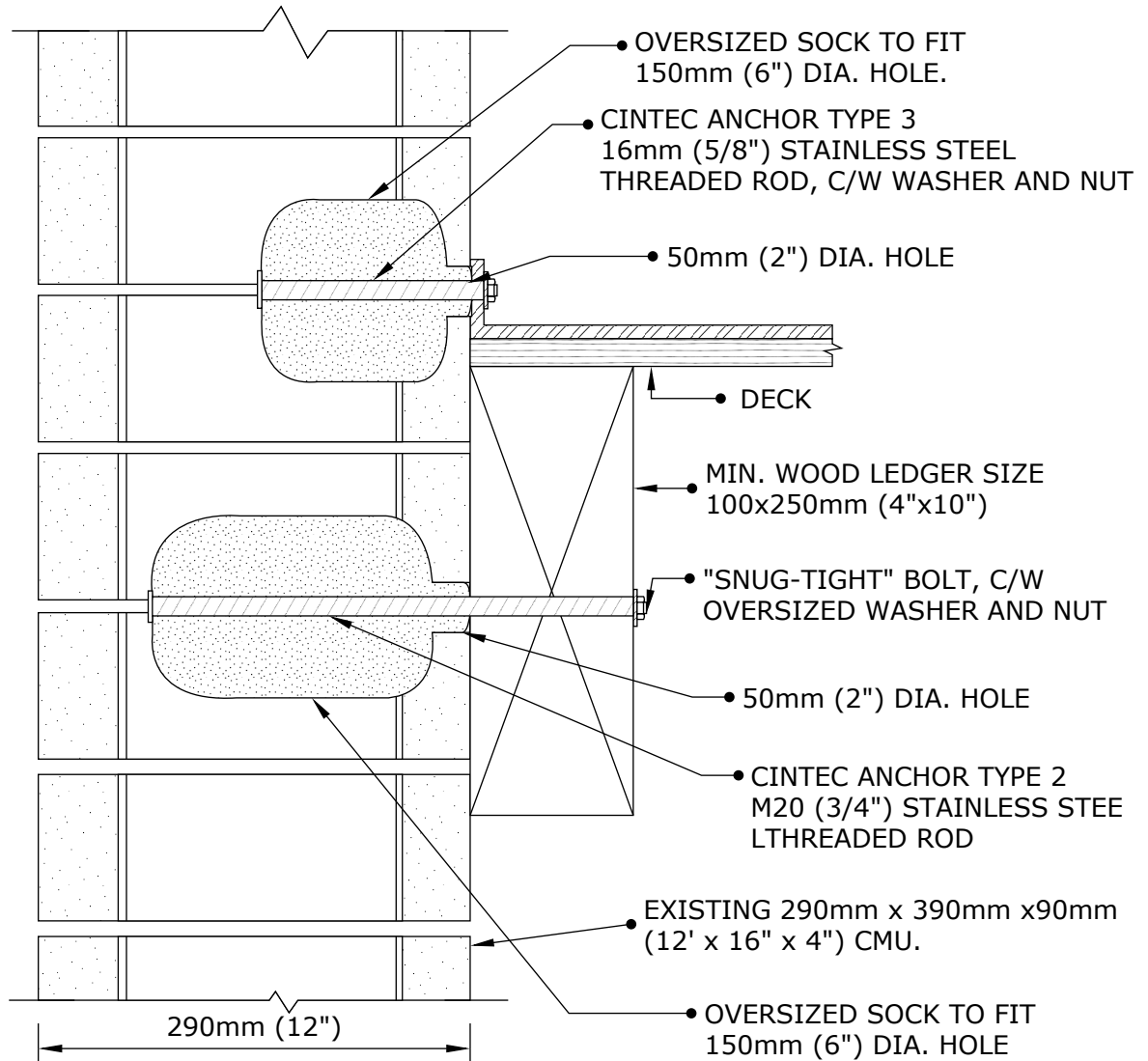
CINTEC ANCHOR

CINTEC

REINFORCEMENT SYSTEMS

www.cintec.com

NOTICE: THIS DRAWING (INCLUDING THE DESIGN AND THE TECHNICAL INFORMATION SHOWN HEREON) BELONGS TO AND IS THE COPYRIGHT OF CINTEC REINFORCEMENT SYSTEMS ("Cintec") AND ACCORDINGLY THE PERSON, FIRM, COMPANY OR ORGANIZATION TO WHOM THIS DRAWING HAS BEEN PROVIDED MAY NOT COPY, RE-PRODUCE OR MAKE ANY USE OF THE DRAWING (INCLUDING THE DESIGN OR ANY OF THE TECHNICAL INFORMATION SHOWN HEREON) OR SHOW OR OTHERWISE PROVIDE THE DRAWING (OR THE SAID DESIGN OR ANY OF THE TECHNICAL INFORMATION) TO ANY THIRD PARTY WITHOUT CINTEC'S SPECIFIC PERMISSION.



NOTE:
DO NOT ALIGN TWO ANCHORS VERTICALLY.
MIN. HORIZONTAL SPACING OF ANCHORS
TYPE 2 AND 3 IS 300mm (12").



Engineered Grout Injection Anchors by:
Cintec Reinforcement Systems
Tel: 1-410-761-0765
1-613-225-3381
Fax: 1-613-224-9042
E-mail: solutions@cintec.com

Drawing Title:

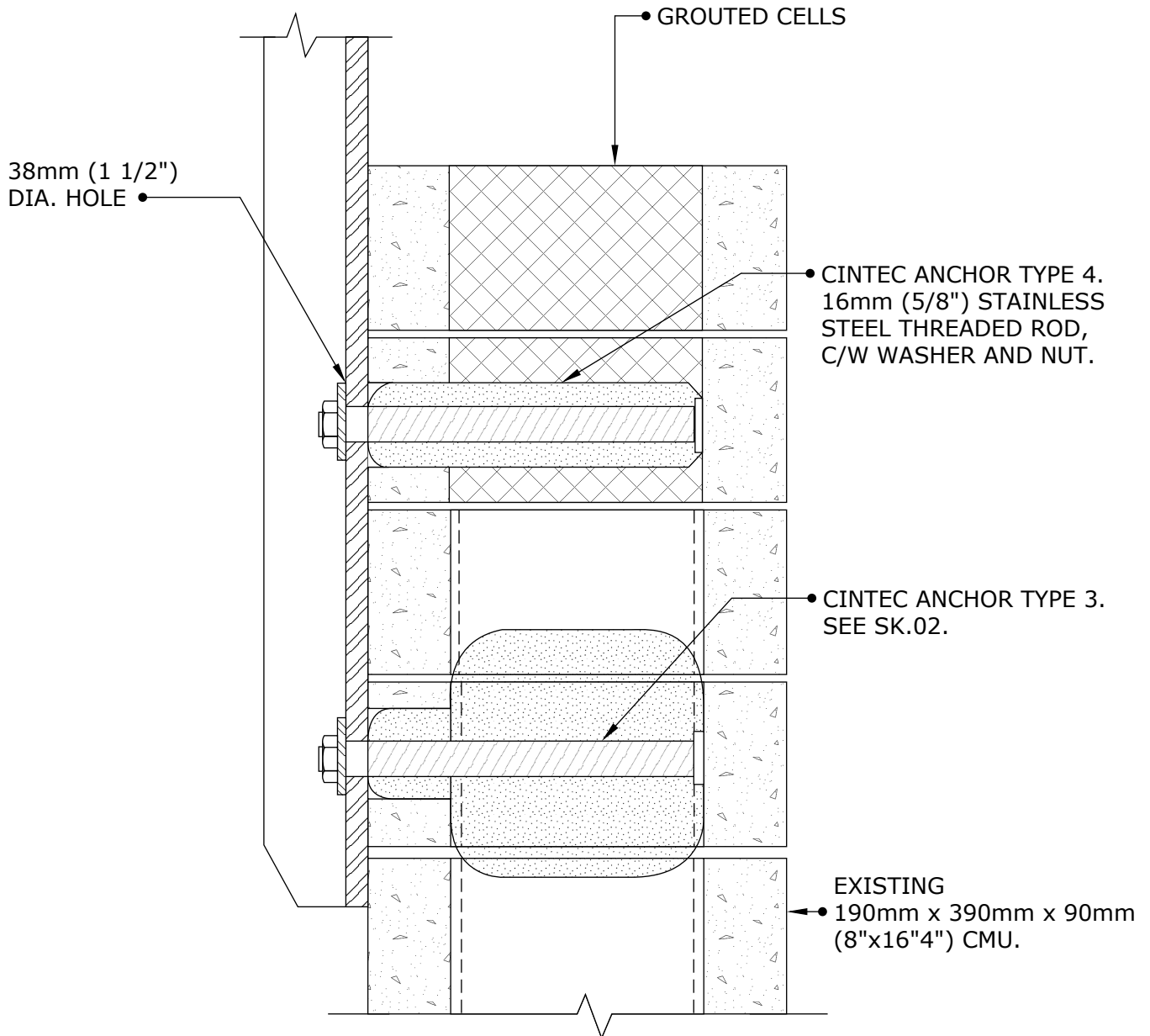
CINTEC ANCHORS

CINTEC

REINFORCEMENT SYSTEMS

www.cintec.com

NOTICE: THIS DRAWING (INCLUDING THE DESIGN AND THE TECHNICAL INFORMATION SHOWN HEREON) BELONGS TO AND IS THE COPYRIGHT OF CINTEC REINFORCEMENT SYSTEMS ("Cintec") AND ACCORDINGLY THE PERSON, FIRM, COMPANY OR ORGANIZATION TO WHOM THIS DRAWING HAS BEEN PROVIDED MAY NOT COPY, RE-PRODUCE OR MAKE ANY USE OF THE DRAWING (INCLUDING THE DESIGN OR ANY OF THE TECHNICAL INFORMATION SHOWN HEREON) OR SHOW OR OTHERWISE PROVIDE THE DRAWING (OR THE SAID DESIGN OR ANY OF THE TECHNICAL INFORMATION) TO ANY THIRD PARTY WITHOUT CINTEC'S SPECIFIC PERMISSION.



Engineered Grout Injection Anchors by:
Cintec Reinforcement Systems
Tel: 1-410-761-0765
1-613-225-3381
Fax: 1-613-224-9042
E-mail: solutions@cintec.com

Drawing Title:

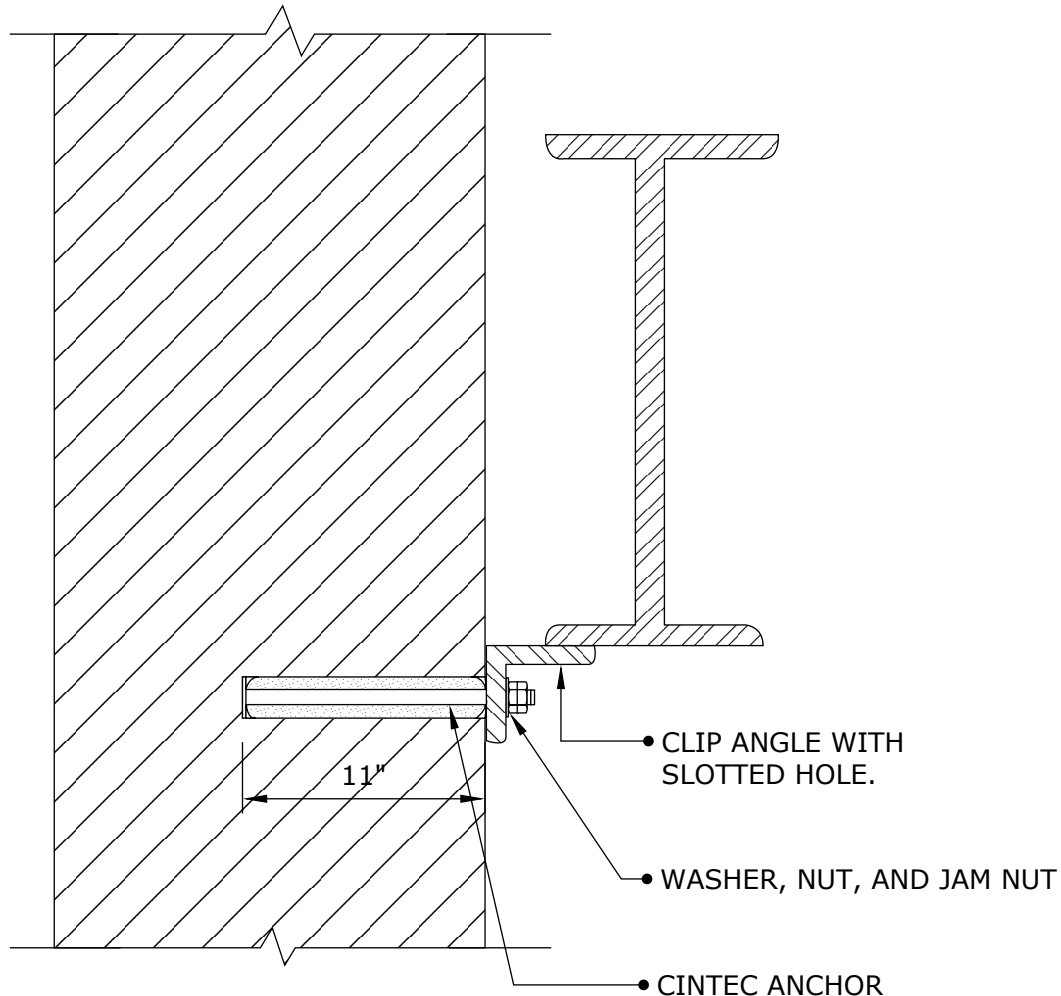
CINTEC ANCHOR

CINTEC

REINFORCEMENT SYSTEMS

www.cintec.com

NOTICE: THIS DRAWING (INCLUDING THE DESIGN AND THE TECHNICAL INFORMATION SHOWN HEREON) BELONGS TO AND IS THE COPYRIGHT OF CINTEC REINFORCEMENT SYSTEMS ("Cintec") AND ACCORDINGLY THE PERSON, FIRM, COMPANY OR ORGANIZATION TO WHOM THIS DRAWING HAS BEEN PROVIDED MAY NOT COPY, RE-PRODUCE OR MAKE ANY USE OF THE DRAWING (INCLUDING THE DESIGN OR ANY OF THE TECHNICAL INFORMATION SHOWN HEREON) OR SHOW OR OTHERWISE PROVIDE THE DRAWING (OR THE SAID DESIGN OR ANY OF THE TECHNICAL INFORMATION) TO ANY THIRD PARTY WITHOUT CINTEC'S SPECIFIC PERMISSION.



NOTES:

1. FOR ANCHOR DESCRIPTIONS SEE SK-
2. FOR SPACING OF ANCHORS SEE SK-
3. CLIENT TO CHECK TOTAL ANCHOR LENGTH PRIOR TO ORDERING.



Engineered Grout Injection Anchors by:
Cintec Reinforcement Systems
Tel: 1-410-761-0765
1-613-225-3381
Fax: 1-613-224-9042
E-mail: solutions@cintec.com

Drawing Title:

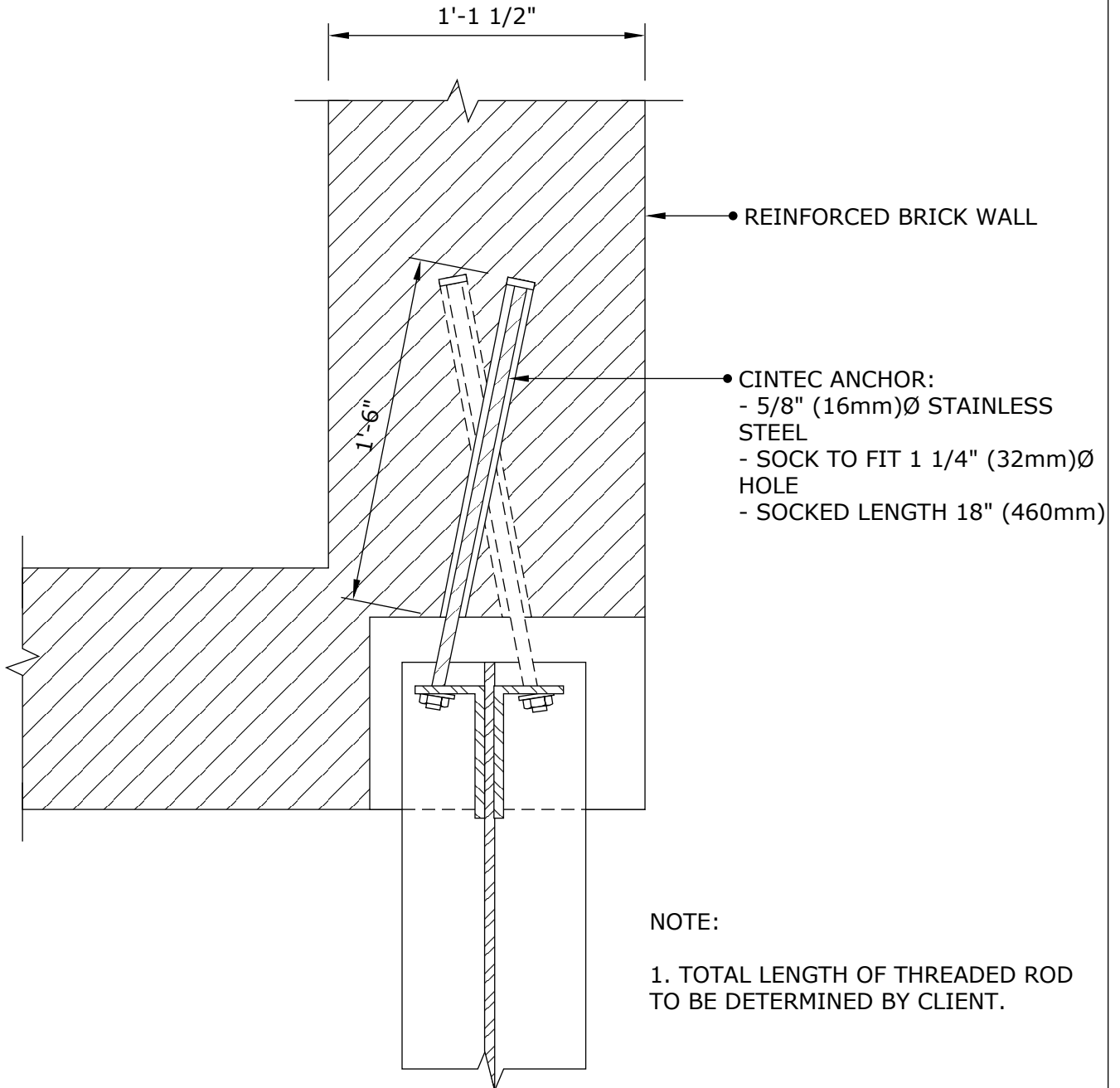
**CINTEC ANCHOR DETAIL
AT GABLED ROOF**

CINTEC

REINFORCEMENT SYSTEMS

www.cintec.com

NOTICE: THIS DRAWING (INCLUDING THE DESIGN AND THE TECHNICAL INFORMATION SHOWN HEREON) BELONGS TO AND IS THE COPYRIGHT OF CINTEC REINFORCEMENT SYSTEMS ("Cintec") AND ACCORDINGLY THE PERSON, FIRM, COMPANY OR ORGANIZATION TO WHOM THIS DRAWING HAS BEEN PROVIDED MAY NOT COPY, RE-PRODUCE OR MAKE ANY USE OF THE DRAWING (INCLUDING THE DESIGN OR ANY OF THE TECHNICAL INFORMATION SHOWN HEREON) OR SHOW OR OTHERWISE PROVIDE THE DRAWING (OR THE SAID DESIGN OR ANY OF THE TECHNICAL INFORMATION) TO ANY THIRD PARTY WITHOUT CINTEC'S SPECIFIC PERMISSION.



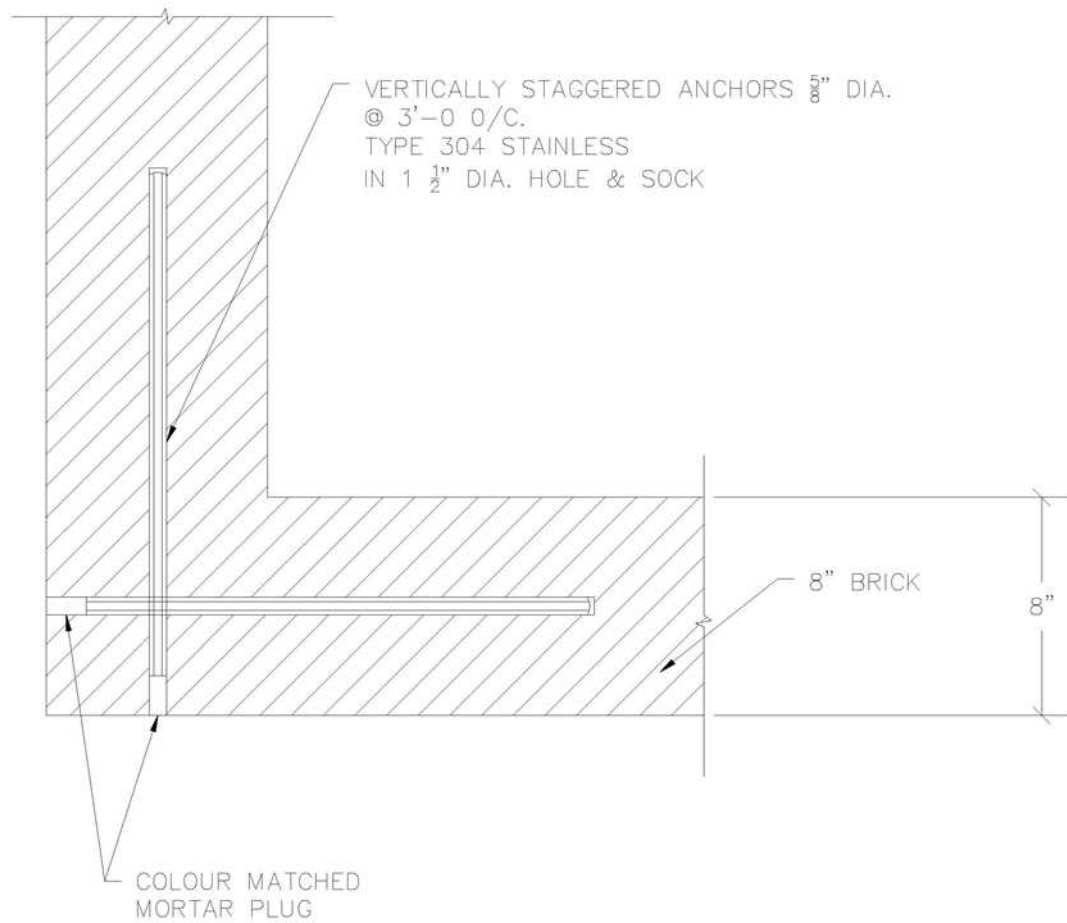
Engineered Grout Injection Anchors by:
Cintec Reinforcement Systems
Tel: 1-410-761-0765
1-613-225-3381
Fax: 1-613-224-9042
E-mail: solutions@cintec.com

Drawing Title:

**BEAM/PIER
CONNECTION ANCHOR
DETAIL**



NOTICE: THIS DRAWING (INCLUDING THE DESIGN AND THE TECHNICAL INFORMATION SHOWN HEREON) BELONGS TO AND IS THE COPYRIGHT OF CINTEC REINFORCEMENT SYSTEMS ("Cintec") AND ACCORDINGLY THE PERSON, FIRM, COMPANY OR ORGANIZATION TO WHOM THIS DRAWING HAS BEEN PROVIDED MAY NOT COPY, RE-PRODUCE OR MAKE ANY USE OF THE DRAWING (INCLUDING THE DESIGN OR ANY OF THE TECHNICAL INFORMATION SHOWN HEREON) OR SHOW OR OTHERWISE PROVIDE THE DRAWING (OR THE SAID DESIGN OR ANY OF THE TECHNICAL INFORMATION) TO ANY THIRD PARTY WITHOUT CINTEC'S SPECIFIC PERMISSION.



NOTES :
1.CLIENT TO CHECK TOTAL ANCHOR LENGTH PRIOR TO ORDERING.



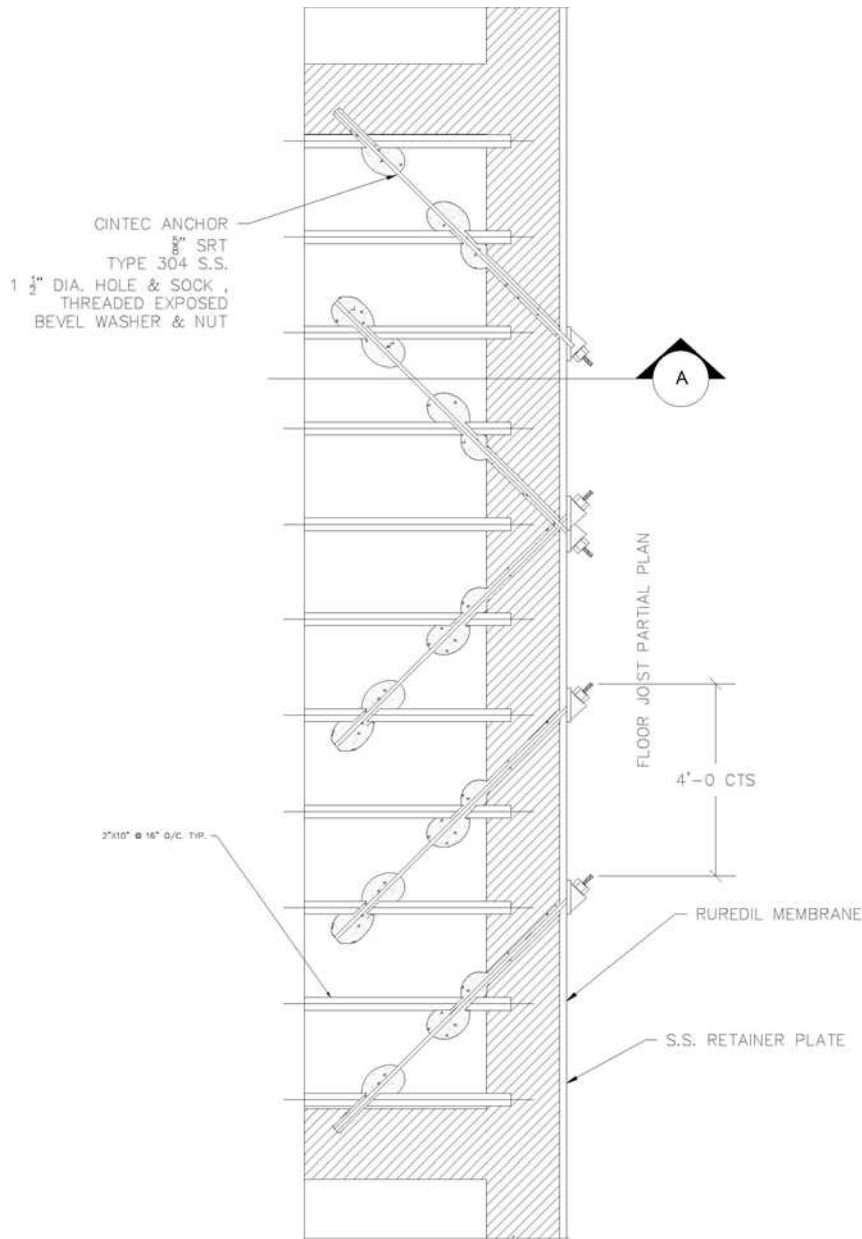
Engineered Grout Injection Anchors by:
Cintec Reinforcement Systems
Tel: 1-410-761-0765
1-613-225-3381
Fax: 1-613-224-9042
E-mail: solutions@cintec.com

Drawing Title:

**STITCHING ANCHORS
AT CORNER**



NOTICE: THIS DRAWING (INCLUDING THE DESIGN AND THE TECHNICAL INFORMATION SHOWN HEREON) BELONGS TO AND IS THE COPYRIGHT OF CINTEC REINFORCEMENT SYSTEMS ("Cintec") AND ACCORDINGLY THE PERSON, FIRM, COMPANY OR ORGANIZATION TO WHOM THIS DRAWING HAS BEEN PROVIDED MAY NOT COPY, RE-PRODUCE OR MAKE ANY USE OF THE DRAWING (INCLUDING THE DESIGN OR ANY OF THE TECHNICAL INFORMATION SHOWN HEREON) OR SHOW OR OTHERWISE PROVIDE THE DRAWING (OR THE SAID DESIGN OR ANY OF THE TECHNICAL INFORMATION) TO ANY THIRD PARTY WITHOUT CINTEC'S SPECIFIC PERMISSION.



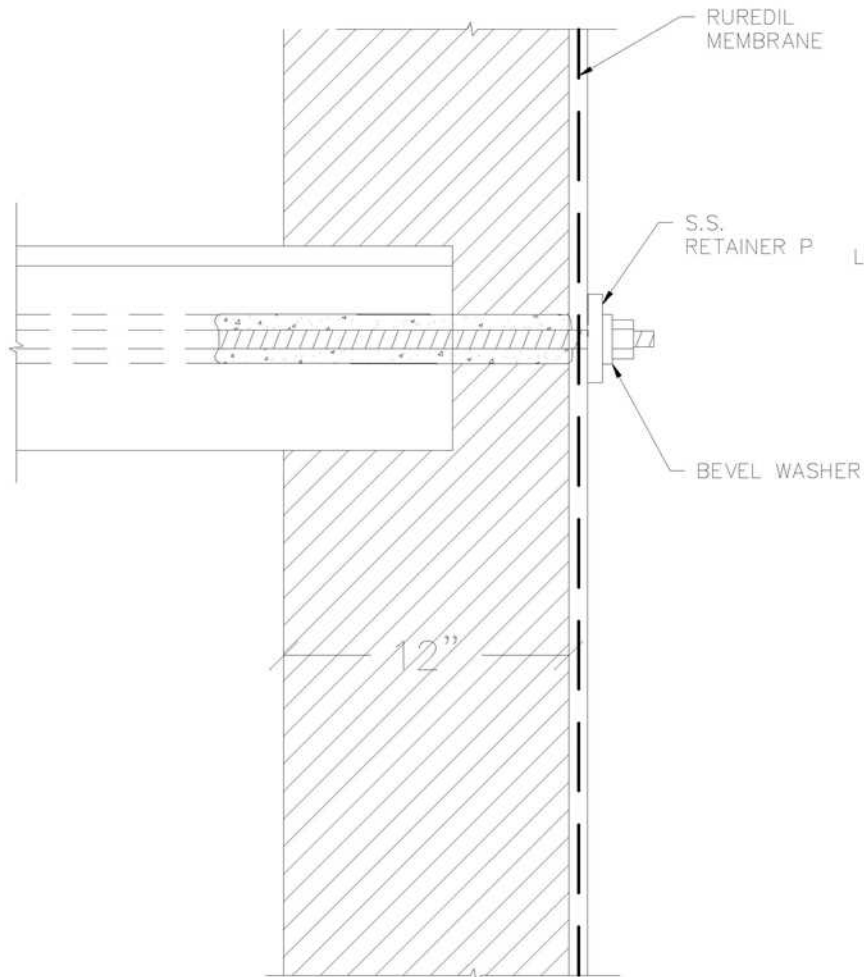
Engineered Grout Injection Anchors by:
Cintec Reinforcement Systems
 Tel: 1-410-761-0765
 1-613-225-3381
 Fax: 1-613-224-9042
 E-mail: solutions@cintec.com

Drawing Title:

**BRICK WALL TO WOOD
 FLOOR DIAPHRAGM
 STABILIZATION**



NOTICE: THIS DRAWING (INCLUDING THE DESIGN AND THE TECHNICAL INFORMATION SHOWN HEREON) BELONGS TO AND IS THE COPYRIGHT OF CINTEC REINFORCEMENT SYSTEMS ("Cintec") AND ACCORDINGLY THE PERSON, FIRM, COMPANY OR ORGANIZATION TO WHOM THIS DRAWING HAS BEEN PROVIDED MAY NOT COPY, RE-PRODUCE OR MAKE ANY USE OF THE DRAWING (INCLUDING THE DESIGN OR ANY OF THE TECHNICAL INFORMATION SHOWN HEREON) OR SHOW OR OTHERWISE PROVIDE THE DRAWING (OR THE SAID DESIGN OR ANY OF THE TECHNICAL INFORMATION) TO ANY THIRD PARTY WITHOUT CINTEC'S SPECIFIC PERMISSION.



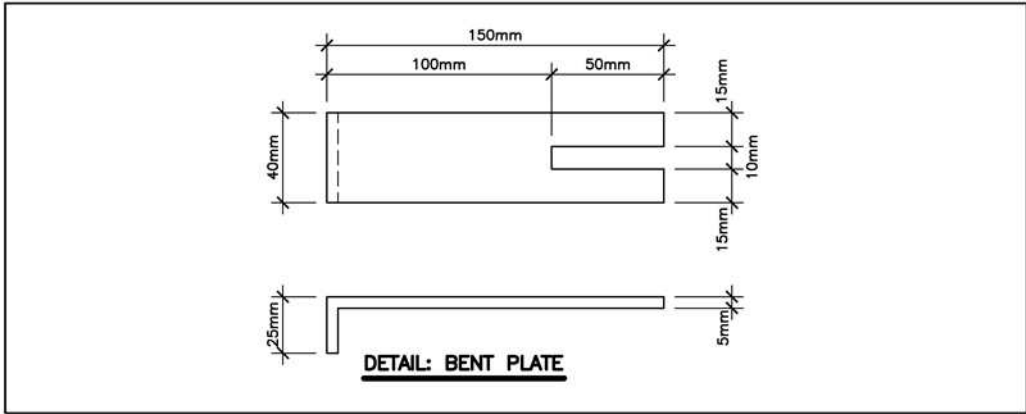
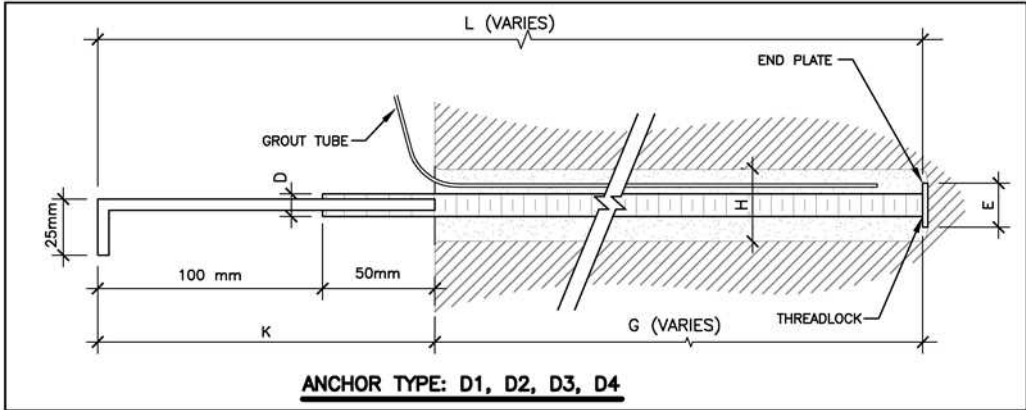
Engineered Grout Injection Anchors by:
Cintec Reinforcement Systems
Tel: 1-410-761-0765
1-613-225-3381
Fax: 1-613-224-9042
E-mail: solutions@cintec.com

Drawing Title:

SECTION A



NOTICE: THIS DRAWING (INCLUDING THE DESIGN AND THE TECHNICAL INFORMATION SHOWN HEREON) BELONGS TO AND IS THE COPYRIGHT OF CINTEC REINFORCEMENT SYSTEMS ("Cintec") AND ACCORDINGLY THE PERSON, FIRM, COMPANY OR ORGANIZATION TO WHOM THIS DRAWING HAS BEEN PROVIDED MAY NOT COPY, RE-PRODUCE OR MAKE ANY USE OF THE DRAWING (INCLUDING THE DESIGN OR ANY OF THE TECHNICAL INFORMATION SHOWN HEREON) OR SHOW OR OTHERWISE PROVIDE THE DRAWING (OR THE SAID DESIGN OR ANY OF THE TECHNICAL INFORMATION) TO ANY THIRD PARTY WITHOUT CINTEC'S SPECIFIC PERMISSION.



	D		H		L	G	K	E			
Anchor Type	Anchor Dia	Description	Hole Dia	Socket Dia	Overall Anchor Length	Anchor Socked Length	Exposed with Plate	End Plate	Hardware	Load	Qty
D1	10 mm	S/S Threaded Rod	1½"	40 mm	1200mm	1050 mm	150 mm	25mm OD	Bent Plate	3 Kn	8
D2	10 mm	S/S Threaded Rod	1½"	40 mm	1450mm	1300 mm	150 mm	25mm OD	Bent Plate	3 Kn	118
D3	10 mm	S/S Threaded Rod	1¼"	32 mm	500mm	350 mm	150 mm	20mm OD	Bent Plate	3 Kn	1220
D4	10 mm	S/S Threaded Rod	1¼"	32 mm	850mm	700 mm	150 mm	20mm OD	Bent Plate	3 Kn	54

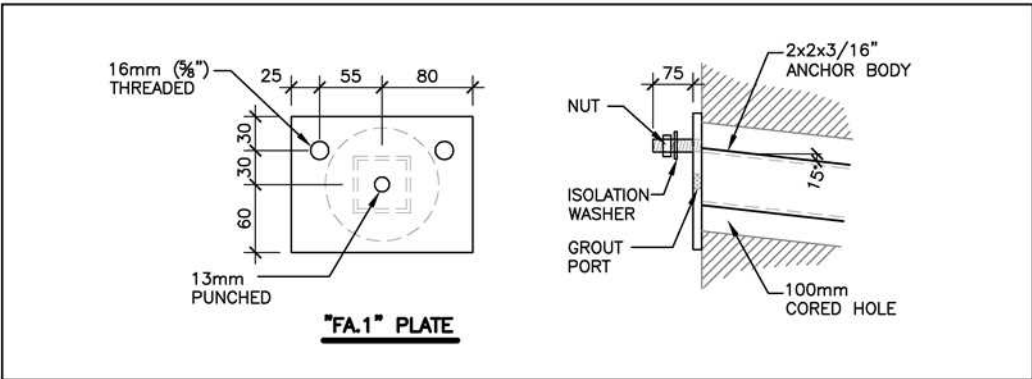
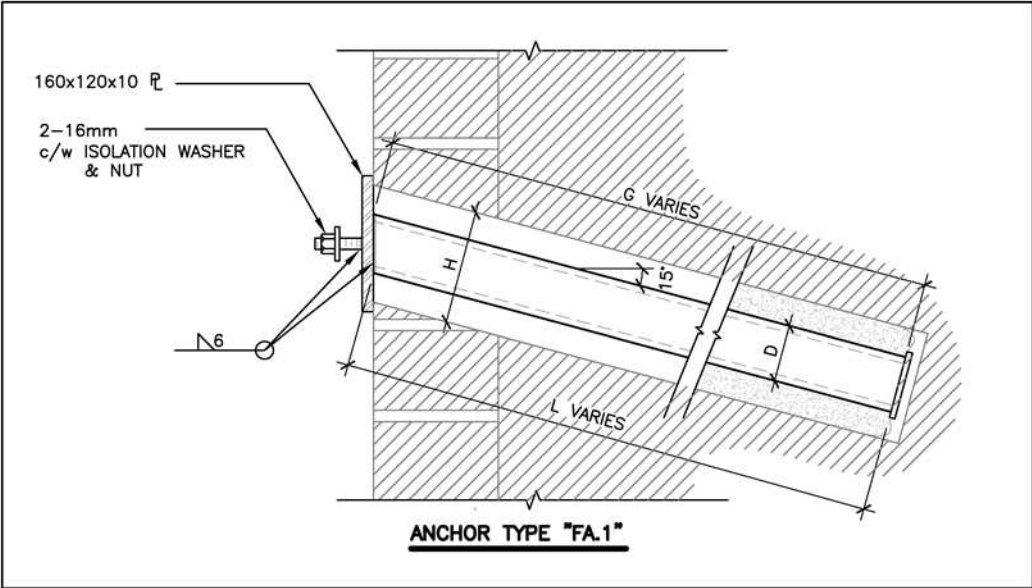
ALL METAL:
STAINLESS STEEL TO ANSI TYPE S
304 CONFIRM DIMENSIONS ON SITE
PRIOR TO FABRICATION



Engineered Grout Injection Anchors by:
Cintec Reinforcement Systems
Tel: 1-410-761-0765
1-613-225-3381
Fax: 1-613-224-9042
E-mail: solutions@cintec.com

Drawing Title:
**WEST BLOCK
REHABILITATION**

NOTICE: THIS DRAWING (INCLUDING THE DESIGN AND THE TECHNICAL INFORMATION SHOWN HEREON) BELONGS TO AND IS THE COPYRIGHT OF CINTEC REINFORCEMENT SYSTEMS ("Cintec") AND ACCORDINGLY THE PERSON, FIRM, COMPANY OR ORGANIZATION TO WHOM THIS DRAWING HAS BEEN PROVIDED MAY NOT COPY, RE-PRODUCE OR MAKE ANY USE OF THE DRAWING (INCLUDING THE DESIGN OR ANY OF THE TECHNICAL INFORMATION SHOWN HEREON) OR SHOW OR OTHERWISE PROVIDE THE DRAWING (OR THE SAID DESIGN OR ANY OF THE TECHNICAL INFORMATION) TO ANY THIRD PARTY WITHOUT CINTEC'S SPECIFIC PERMISSION.

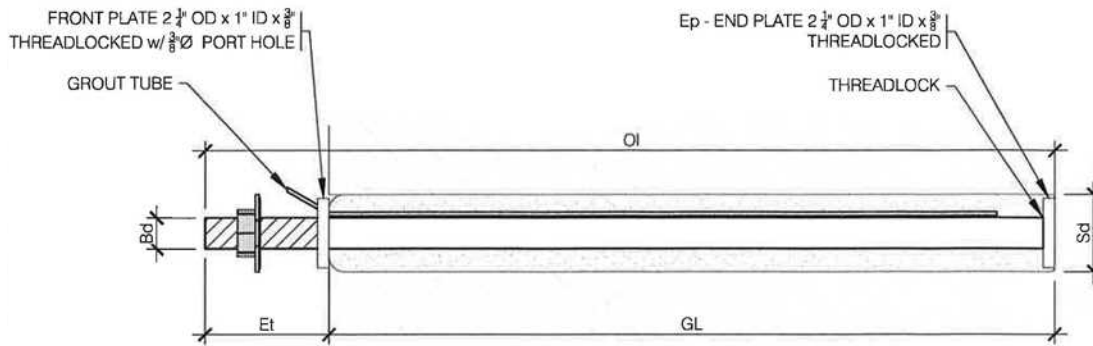


	D	H	L	G		
Anchor Type	Anchor Dia	Hole Dia	Overall Anchor Length	Grouted Length	Hardware	Qty
FA.1	HSS 2x2x3/16"	4"	600 mm	600 mm	PI 160 x120 x10	TBD

ALL METAL:
STAINLESS STEEL TO ANSI TYPE S
304 CONFIRM DIMENSIONS ON SITE
PRIOR TO FABRICATION

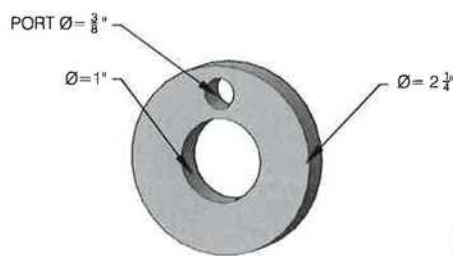


NOTICE: THIS DRAWING (INCLUDING THE DESIGN AND THE TECHNICAL INFORMATION SHOWN HEREON) BELONGS TO AND IS THE COPYRIGHT OF CINTEC REINFORCEMENT SYSTEMS ("Cintec") AND ACCORDINGLY THE PERSON, FIRM, COMPANY OR ORGANIZATION TO WHOM THIS DRAWING HAS BEEN PROVIDED MAY NOT COPY, RE-PRODUCE OR MAKE ANY USE OF THE DRAWING (INCLUDING THE DESIGN OR ANY OF THE TECHNICAL INFORMATION SHOWN HEREON) OR SHOW OR OTHERWISE PROVIDE THE DRAWING (OR THE SAID DESIGN OR ANY OF THE TECHNICAL INFORMATION) TO ANY THIRD PARTY WITHOUT CINTEC'S SPECIFIC PERMISSION.



1 ANCHOR TYPE A1 M25 SRT, GRADE 316
S1 Scale: N.T.S.

ANCHOR TYPE (Stainless Steel)	Bd Body Diameter	OI Overall Length	GL Socked Length	Et Exposed Threads	Hd Drilled Core Hole	Sd Sock Diameter	Nut	Washer	Hardware
A1-M25 Grade 316	1" SRT	700 mm (27 1/2")	600 mm (23 1/2")	100 mm (4")	2 1/2"	2 1/2"	Inc	Isolation & Lock washer	Threadlocked front plate per 2/S1



2 FRONT PLATE
S1 Scale: N.T.S.



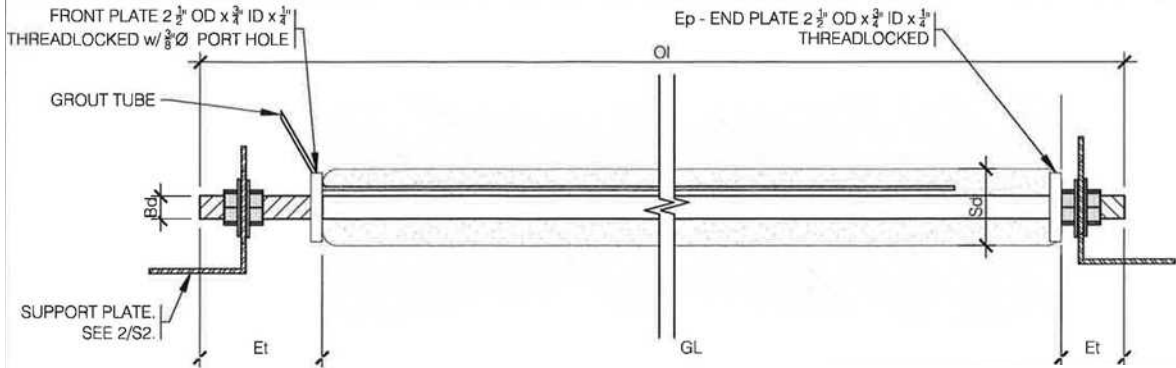
Engineered Grout Injection Anchors by:
Cintec Reinforcement Systems
 Tel: 1-410-761-0765
 1-613-225-3381
 Fax: 1-613-224-9042
 E-mail: solutions@cintec.com

Drawing Title:

CENTER BLOCK VENT TOWERS

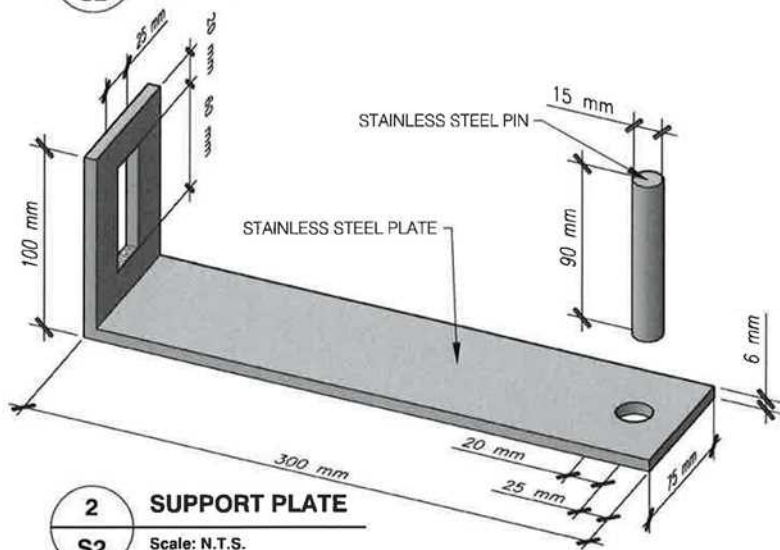


NOTICE: THIS DRAWING (INCLUDING THE DESIGN AND THE TECHNICAL INFORMATION SHOWN HEREON) BELONGS TO AND IS THE COPYRIGHT OF CINTEC REINFORCEMENT SYSTEMS ("Cintec") AND ACCORDINGLY THE PERSON, FIRM, COMPANY OR ORGANIZATION TO WHOM THIS DRAWING HAS BEEN PROVIDED MAY NOT COPY, RE-PRODUCE OR MAKE ANY USE OF THE DRAWING (INCLUDING THE DESIGN OR ANY OF THE TECHNICAL INFORMATION SHOWN HEREON) OR SHOW OR OTHERWISE PROVIDE THE DRAWING (OR THE SAID DESIGN OR ANY OF THE TECHNICAL INFORMATION) TO ANY THIRD PARTY WITHOUT CINTEC'S SPECIFIC PERMISSION.



1 ANCHOR TYPE A2 M20 SRT, GRADE 316

S2 Scale: N.T.S.



2 SUPPORT PLATE

S2 Scale: N.T.S.

ANCHOR TYPE (Stainless Steel)	Bd Body Diameter	OI Overall Length	GL Socked Length	Et Exposed Threads	Hd Drilled Core Hole	Sd Sock Diameter	Nut	Washer	Hardware
A2-M20 Grade 316	3/4" SRT	4500 mm (177")	4300 mm (169")	100 mm (4") Each End	3"	3"	Inc x 4	x 2 Lock washer	Bent Adjustable Support Plate as per Drawing



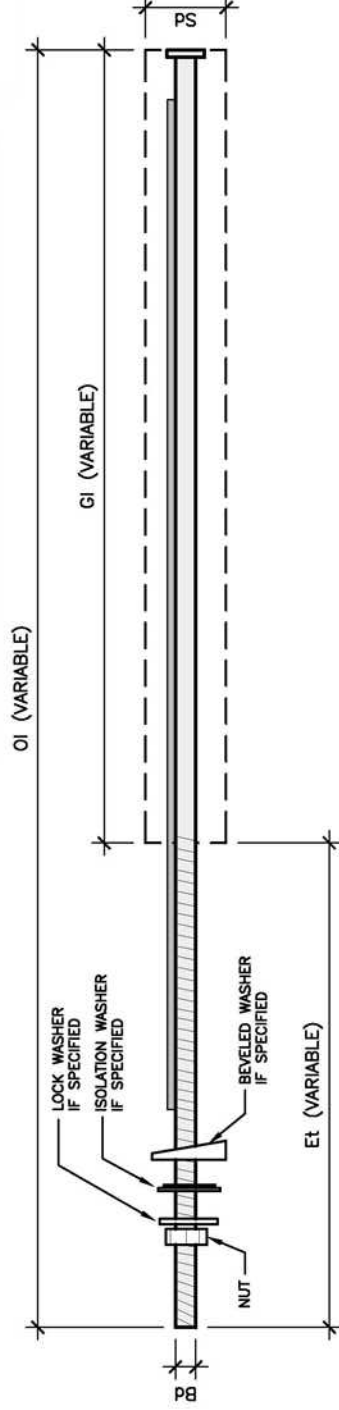
Engineered Grout Injection Anchors by:
Cintec Reinforcement Systems
 Tel: 1-410-761-0765
 1-613-225-3381
 Fax: 1-613-224-9042
 E-mail: solutions@cintec.com

Drawing Title:

CENTER BLOCK VENT TOWERS



NOTICE: THIS DRAWING (INCLUDING THE DESIGN AND THE TECHNICAL INFORMATION SHOWN HEREON) BELONGS TO AND IS THE COPYRIGHT OF CINTEC REINFORCEMENT SYSTEMS ("Cintec") AND ACCORDINGLY THE PERSON, FIRM, COMPANY OR ORGANIZATION TO WHOM THIS DRAWING HAS BEEN PROVIDED MAY NOT COPY, RE-PRODUCE OR MAKE ANY USE OF THE DRAWING (INCLUDING THE DESIGN OR ANY OF THE TECHNICAL INFORMATION SHOWN HEREON) OR SHOW OR OTHERWISE PROVIDE THE DRAWING (OR THE SAID DESIGN OR ANY OF THE TECHNICAL INFORMATION) TO ANY THIRD PARTY WITHOUT CINTEC'S SPECIFIC PERMISSION.



Anchor Type	Bd	Description	OI	GI	Et	Sd	Core Hole ϕ	Hardware				
								Nut	WASHER Lock	WASHER Isolation	WASHER Beveled	GROUT PRESTEC
M20-DP05	20mm, 3/4"	Stainless Steel Threaded Rod Grade 304	900mm, 36"	300mm, 12"	600mm, 24"	55mm, 2 1/4"	55mm, 2 1/4"	YES	YES	YES	YES	YES
M20-DP05	20mm, 3/4"	Stainless Steel Threaded Rod Grade 304	900mm, 36"	300mm, 12"	600mm, 24"	55mm, 2 1/4"	55mm, 2 1/4"	YES	YES	YES	NO	YES
M20 S106B Roof to Wall	20mm, 3/4"	Stainless Steel Threaded Rod Grade 304	375mm, 15"	300mm, 12"	75mm, 3"	50mm, 2"	50mm, 2"	YES	NO	YES	NO	YES
M20 S106B E & W Wall	20mm, 3/4"	Stainless Steel Threaded Rod Grade 304	375mm, 15"	300mm, 12"	75mm, 3"	50mm, 2"	50mm, 2"	YES	NO	YES	NO	YES
M20 S507 Section 5	20mm, 3/4"	Stainless Steel Threaded Rod Grade 304	375mm, 15"	300mm, 12"	75mm, 3"	55mm, 2 1/4"	55mm, 2 1/4"	YES	YES	YES	NO	YES
M20 S507 Section 7	20mm, 3/4"	Stainless Steel Threaded Rod Grade 304	900mm, 36"	300mm, 12"	600mm, 24"	55mm, 2 1/4"	55mm, 2 1/4"	YES	YES	YES	YES	YES
M20 S505 Section 5,6 & 11	20mm, 3/4"	Stainless Steel Threaded Rod Grade 304	900mm, 36"	300mm, 12"	600mm, 24"	55mm, 2 1/4"	55mm, 2 1/4"	YES	YES	YES	YES	YES
M20 S502 Section 9	20mm, 3/4"	Stainless Steel Threaded Rod Grade 304	600mm, 24"	300mm, 12"	300mm, 12"	55mm, 2 1/4"	55mm, 2 1/4"	YES	YES	YES	NO	YES
M20 S402,5,6,7 Foundation	20mm, 3/4"	Stainless Steel Threaded Rod Grade 304	900mm, 36"	300mm, 12"	600mm, 24"	55mm, 2 1/4"	55mm, 2 1/4"	YES	YES	YES	NO	YES
M25-DP05	25mm, 1"	Stainless Steel Threaded Rod Grade 304	375mm, 15"	300mm, 12"	75mm, 3"	60mm, 2 1/2"	60mm, 2 1/2"	YES	YES	YES	NO	YES

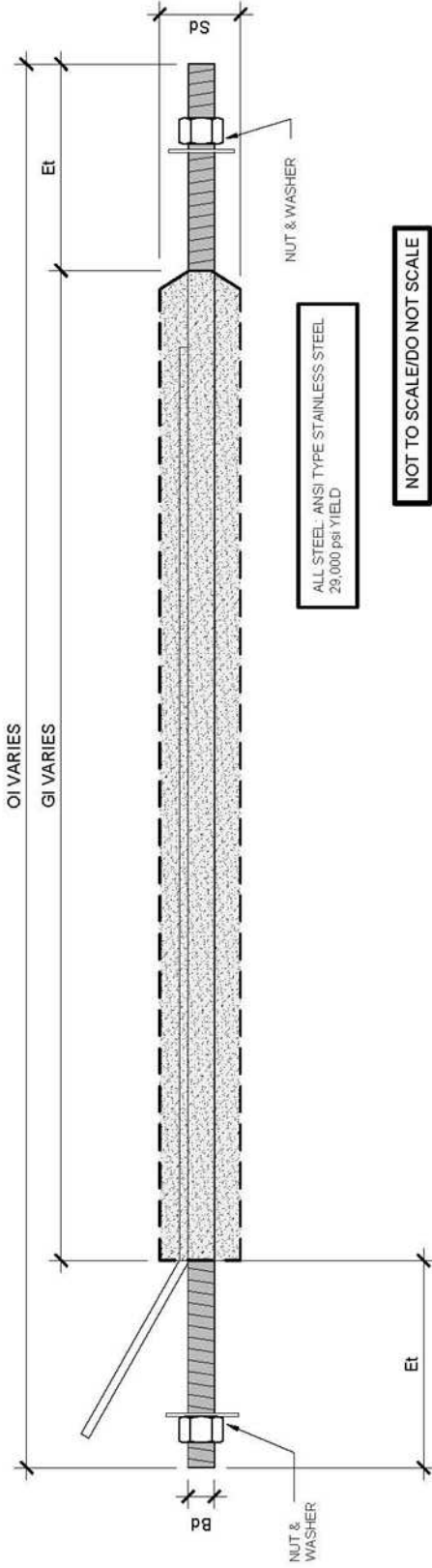
Engineered Grout Injection Anchors by:
Cintec Reinforcement Systems
 Tel: 1-410-761-0765
 1-613-225-3381
 Fax: 1-613-224-9042
 E-mail: solutions@cintec.com



Drawing Title:
WEST BLOCK REHABILITATION



NOTICE: THIS DRAWING (INCLUDING THE DESIGN AND THE TECHNICAL INFORMATION SHOWN HEREON) BELONGS TO AND IS THE COPYRIGHT OF CINTEC REINFORCEMENT SYSTEMS ("Cintec") AND ACCORDINGLY THE PERSON, FIRM, COMPANY OR ORGANIZATION TO WHOM THIS DRAWING HAS BEEN PROVIDED MAY NOT COPY, RE-PRODUCE OR MAKE ANY USE OF THE DRAWING (INCLUDING THE DESIGN OR ANY OF THE TECHNICAL INFORMATION SHOWN HEREON) OR SHOW OR OTHERWISE PROVIDE THE DRAWING (OR THE SAID DESIGN OR ANY OF THE TECHNICAL INFORMATION) TO ANY THIRD PARTY WITHOUT CINTEC'S SPECIFIC PERMISSION.



Anchor Type	Bd	OI	GI	Et	Et Each End	Sd	Core Hole Ø	Hardware
M12 - A1314	Body Ø 12mm, 1/2"	Overall Length Varies 1350mm, 54" to 3900mm, 156"	Socketed Length Varies 1150mm, 46" to 3700mm, 148"	Exposed Thread 100mm, 4"	65mm, 2 1/2"	65mm, 2 1/2"	2 Nut, 2 Washer	

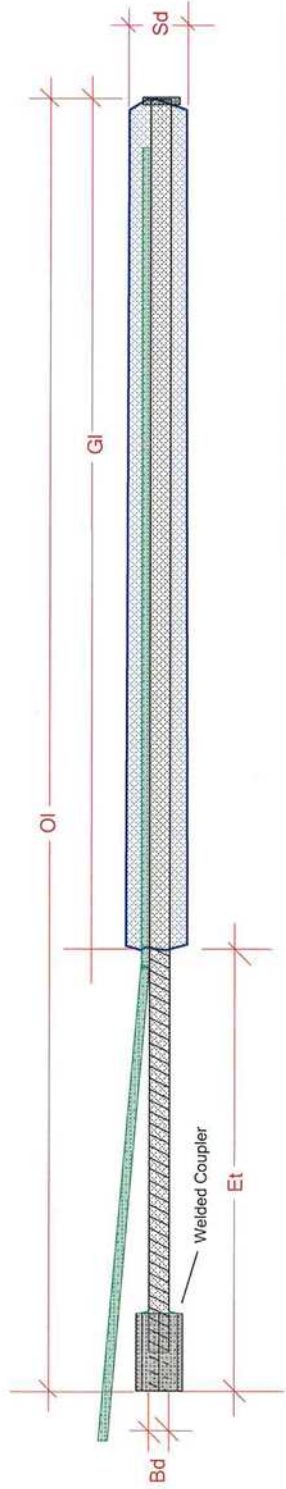


Engineered Grout Injection Anchors by:
Cintec Reinforcement Systems
 Tel: 1-410-761-0765
 1-613-225-3381
 Fax: 1-613-224-9042
 E-mail: solutions@cintec.com

Drawing Title:
Calgary City Hall
800 MacLeod Trail SE,
Calgary



NOTICE: THIS DRAWING (INCLUDING THE DESIGN AND THE TECHNICAL INFORMATION SHOWN HEREON) BELONGS TO AND IS THE COPYRIGHT OF CINTEC REINFORCEMENT SYSTEMS ("Cintec") AND ACCORDINGLY THE PERSON, FIRM, COMPANY OR ORGANIZATION TO WHOM THIS DRAWING HAS BEEN PROVIDED MAY NOT COPY, RE-PRODUCE OR MAKE ANY USE OF THE DRAWING (INCLUDING THE DESIGN OR ANY OF THE TECHNICAL INFORMATION SHOWN HEREON) OR SHOW OR OTHERWISE PROVIDE THE DRAWING (OR THE SAID DESIGN OR ANY OF THE TECHNICAL INFORMATION) TO ANY THIRD PARTY WITHOUT CINTEC'S SPECIFIC PERMISSION.



All Steel is ANSI Type Stainless with a Yield of 29,000 PSI

DATED OTTAWA, ONTARIO Nov 12, 2018

ANCHOR TYPE Stainless Steel	BODY Ø Bd	OVERALL LENGTH OI	SOCKED LENGTH GI	EXPOSED THREAD Et	SOCK Ø Sd	CORE HOLE Ø	HARDWARE
M20 A8	20mm - 3/4"	500mm - 20"	300mm - 12"	200mm - 8"	65mm - 2 1/2"	65 mm - 2 1/2 "	NONE

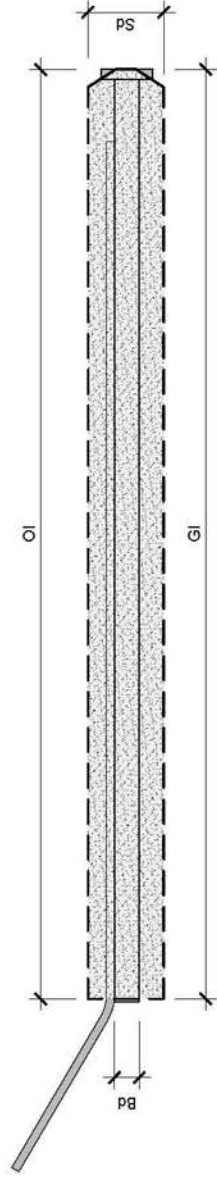


Engineered Grout Injection Anchors by:
Cintec Reinforcement Systems
 Tel: 1-410-761-0765
 1-613-225-3381
 Fax: 1-613-224-9042
 E-mail: solutions@cintec.com

Drawing Title:
Calgary City Hall
800 MacLeod Trail SE,
Calgary



NOTICE: THIS DRAWING (INCLUDING THE DESIGN AND THE TECHNICAL INFORMATION SHOWN HEREON) BELONGS TO AND IS THE COPYRIGHT OF CINTEC REINFORCEMENT SYSTEMS ("Cintec") AND ACCORDINGLY THE PERSON, FIRM, COMPANY OR ORGANIZATION TO WHOM THIS DRAWING HAS BEEN PROVIDED MAY NOT COPY, RE-PRODUCE OR MAKE ANY USE OF THE DRAWING (INCLUDING THE DESIGN OR ANY OF THE TECHNICAL INFORMATION SHOWN HEREON) OR SHOW OR OTHERWISE PROVIDE THE DRAWING (OR THE SAID DESIGN OR ANY OF THE TECHNICAL INFORMATION) TO ANY THIRD PARTY WITHOUT CINTEC'S SPECIFIC PERMISSION.



ALL STEEL - ANSII TYPE STAINLESS STEEL
29,000 PSI YIELD

NOT TO SCALE/DO NOT SCALE

Anchor Type	Bd	OI	GI	Et	Sd	Core Hole Ø	Hardware	Maximum Tensile	Maximum Shear	Maximum Pull Out
M12 Type A & D	12mm, 1/2"	375mm, 15"	375mm, 15"	0mm, 0"	32mm, 1 1/4"	32mm, 1 1/4"	None	2870 Lbs	1650 Lbs	3925 Lbs
M12 Type A4	12mm, 1/2"	280mm, 11"	280mm, 11"	0mm, 0"	32mm, 1 1/4"	32mm, 1 1/4"	None	2870 Lbs	1650 Lbs	2808 Lbs

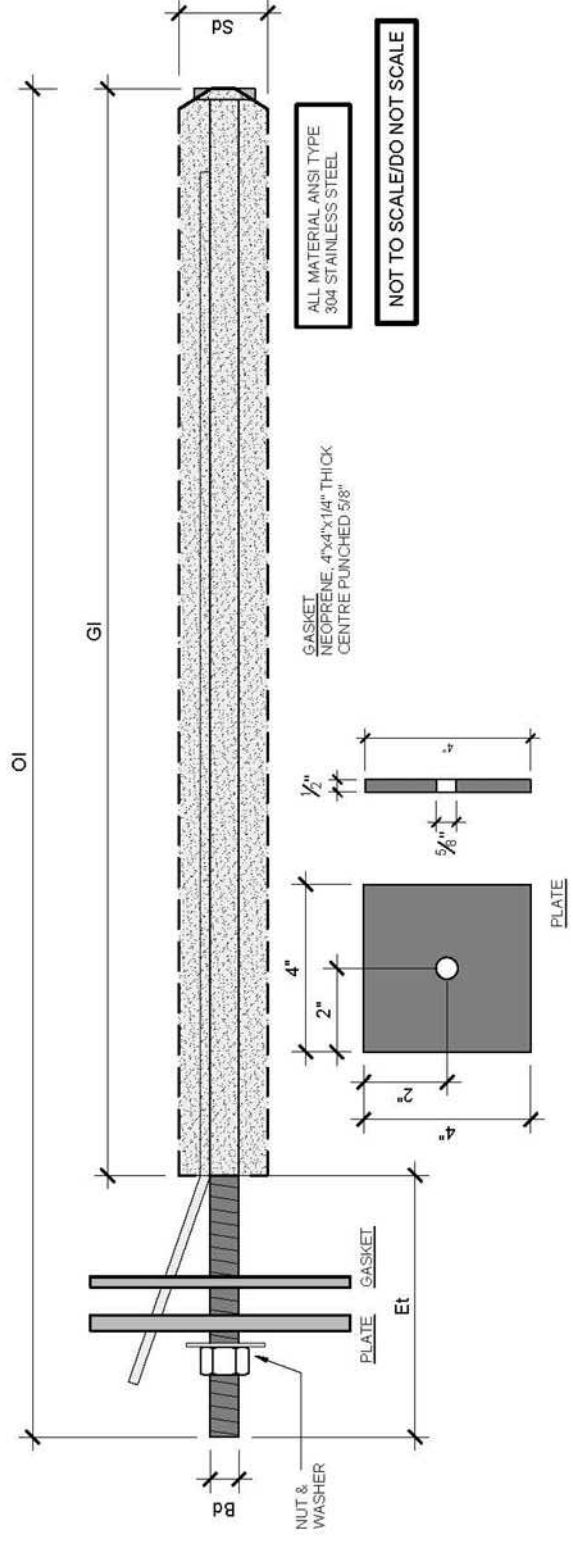


Engineered Grout Injection Anchors by:
Cintec Reinforcement Systems
 Tel: 1-410-761-0765
 1-613-225-3381
 Fax: 1-613-224-9042
 E-mail: solutions@cintec.com

Drawing Title:
**MASSEY HALL - PHASE
 2B, TORONTO**



NOTICE: THIS DRAWING (INCLUDING THE DESIGN AND THE TECHNICAL INFORMATION SHOWN HEREON) BELONGS TO AND IS THE COPYRIGHT OF CINTEC REINFORCEMENT SYSTEMS ("Cintec") AND ACCORDINGLY THE PERSON, FIRM, COMPANY OR ORGANIZATION TO WHOM THIS DRAWING HAS BEEN PROVIDED MAY NOT COPY, RE-PRODUCE OR MAKE ANY USE OF THE DRAWING (INCLUDING THE DESIGN OR ANY OF THE TECHNICAL INFORMATION SHOWN HEREON) OR SHOW OR OTHERWISE PROVIDE THE DRAWING (OR THE SAID DESIGN OR ANY OF THE TECHNICAL INFORMATION) TO ANY THIRD PARTY WITHOUT CINTEC'S SPECIFIC PERMISSION.



	Bd	OI	GI	Et	Sd	Core Hole Ø	Hardware
Anchor Type Stainless steel							
Body Ø							
D1 M16	16mm, 5/8"	1000mm, 39"	950mm, 37"	50mm, 2"	50mm, 2"	50mm, 2"	Nut, Washer, Plate 4x4 1/2", Gasket
D4 M16	16mm, 5/8"	750mm, 30"	700mm, 28"	50mm, 2"	50mm, 2"	50mm, 2"	Nut, Washer, Plate 4x4 1/2", Gasket

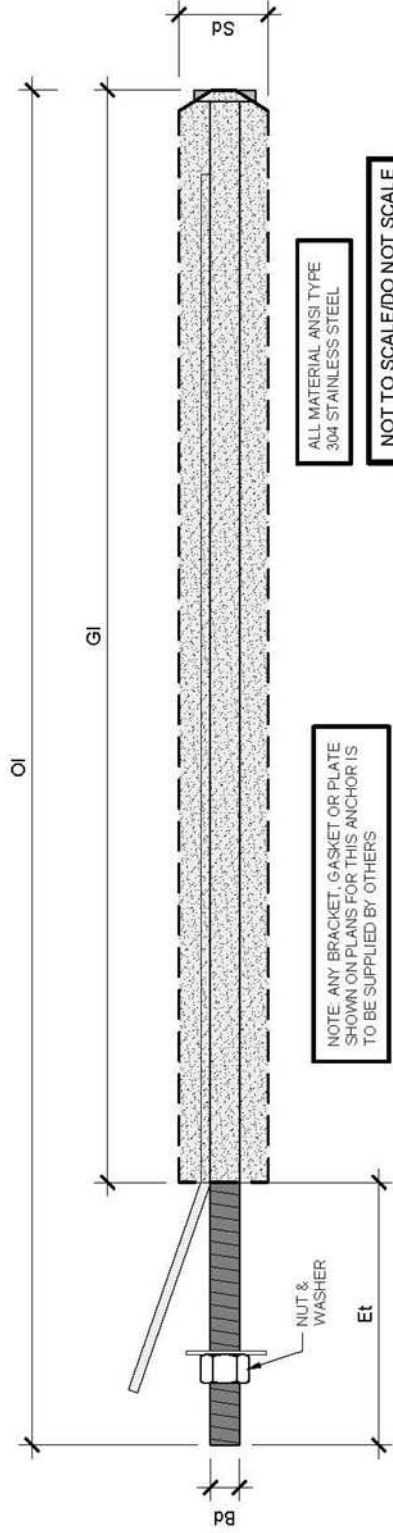
Engineered Grout Injection Anchors by:
Cintec Reinforcement Systems
 Tel: 1-410-761-0765
 1-613-225-3381
 Fax: 1-613-224-9042
 E-mail: solutions@cintec.com



Drawing Title:
PROVINCE HOUSE
PEI



NOTICE: THIS DRAWING (INCLUDING THE DESIGN AND THE TECHNICAL INFORMATION SHOWN HEREON) BELONGS TO AND IS THE COPYRIGHT OF CINTEC REINFORCEMENT SYSTEMS ("Cintec") AND ACCORDINGLY THE PERSON, FIRM, COMPANY OR ORGANIZATION TO WHOM THIS DRAWING HAS BEEN PROVIDED MAY NOT COPY, RE-PRODUCE OR MAKE ANY USE OF THE DRAWING (INCLUDING THE DESIGN OR ANY OF THE TECHNICAL INFORMATION SHOWN HEREON) OR SHOW OR OTHERWISE PROVIDE THE DRAWING (OR THE SAID DESIGN OR ANY OF THE TECHNICAL INFORMATION) TO ANY THIRD PARTY WITHOUT CINTEC'S SPECIFIC PERMISSION.



ALL MATERIAL ANSI TYPE 304 STAINLESS STEEL

NOT TO SCALE/DO NOT SCALE

NOTE: ANY BRACKET, GASKET OR PLATE SHOWN ON PLANS FOR THIS ANCHOR IS TO BE SUPPLIED BY OTHERS

Anchor Type	Bd	OI	GI	Et	Sd	Core Hole Ø	Hardware
Stainless steel	Body Ø	Overall Length	Soaked Length	Exposed Thread	Socket Ø	Core Hole Ø	Hardware
D2 M16	16mm, 5/8"	1000mm, 39"	950mm, 37"	50mm, 2"	50mm, 2"	50mm, 2"	Nut & Washer
E M16	16mm, 5/8"	850mm, 34"	800mm, 32"	50mm, 2"	50mm, 2"	50mm, 2"	Nut & Washer
H M16	16mm, 5/8"	400mm, 16"	300mm, 12"	100mm, 4"	50mm, 2"	50mm, 2"	Nut, Isolation Washer

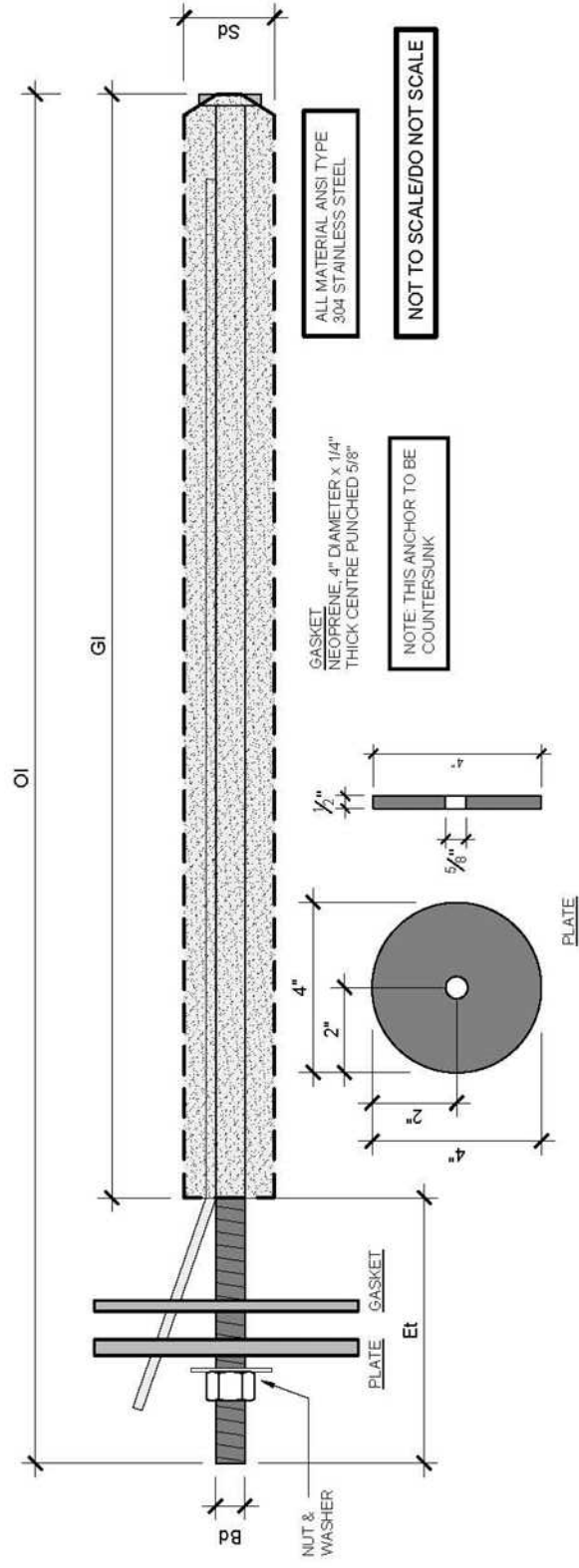


Engineered Grout Injection Anchors by:
Cintec Reinforcement Systems
 Tel: 1-410-761-0765
 1-613-225-3381
 Fax: 1-613-224-9042
 E-mail: solutions@cintec.com

Drawing Title:
**PROVINCE HOUSE
 PEI**



NOTICE: THIS DRAWING (INCLUDING THE DESIGN AND THE TECHNICAL INFORMATION SHOWN HEREON) BELONGS TO AND IS THE COPYRIGHT OF CINTEC REINFORCEMENT SYSTEMS ("Cintec") AND ACCORDINGLY THE PERSON, FIRM, COMPANY OR ORGANIZATION TO WHOM THIS DRAWING HAS BEEN PROVIDED MAY NOT COPY, RE-PRODUCE OR MAKE ANY USE OF THE DRAWING (INCLUDING THE DESIGN OR ANY OF THE TECHNICAL INFORMATION SHOWN HEREON) OR SHOW OR OTHERWISE PROVIDE THE DRAWING (OR THE SAID DESIGN OR ANY OF THE TECHNICAL INFORMATION) TO ANY THIRD PARTY WITHOUT CINTEC'S SPECIFIC PERMISSION.



	Bd	OI	GI	Et	Sd	
Anchor Type	Stainless steel					Hardware
Body Ø	16mm, 5/8"	Overall Length	Socket Length	Exposed Thread	Socket Ø	
D3 M 16		1000mm, 39"	950mm, 37"	50mm, 2"	50mm, 2"	Nut, Washer, Plate, 4" Diameter x 1/2" Thick, Gasket

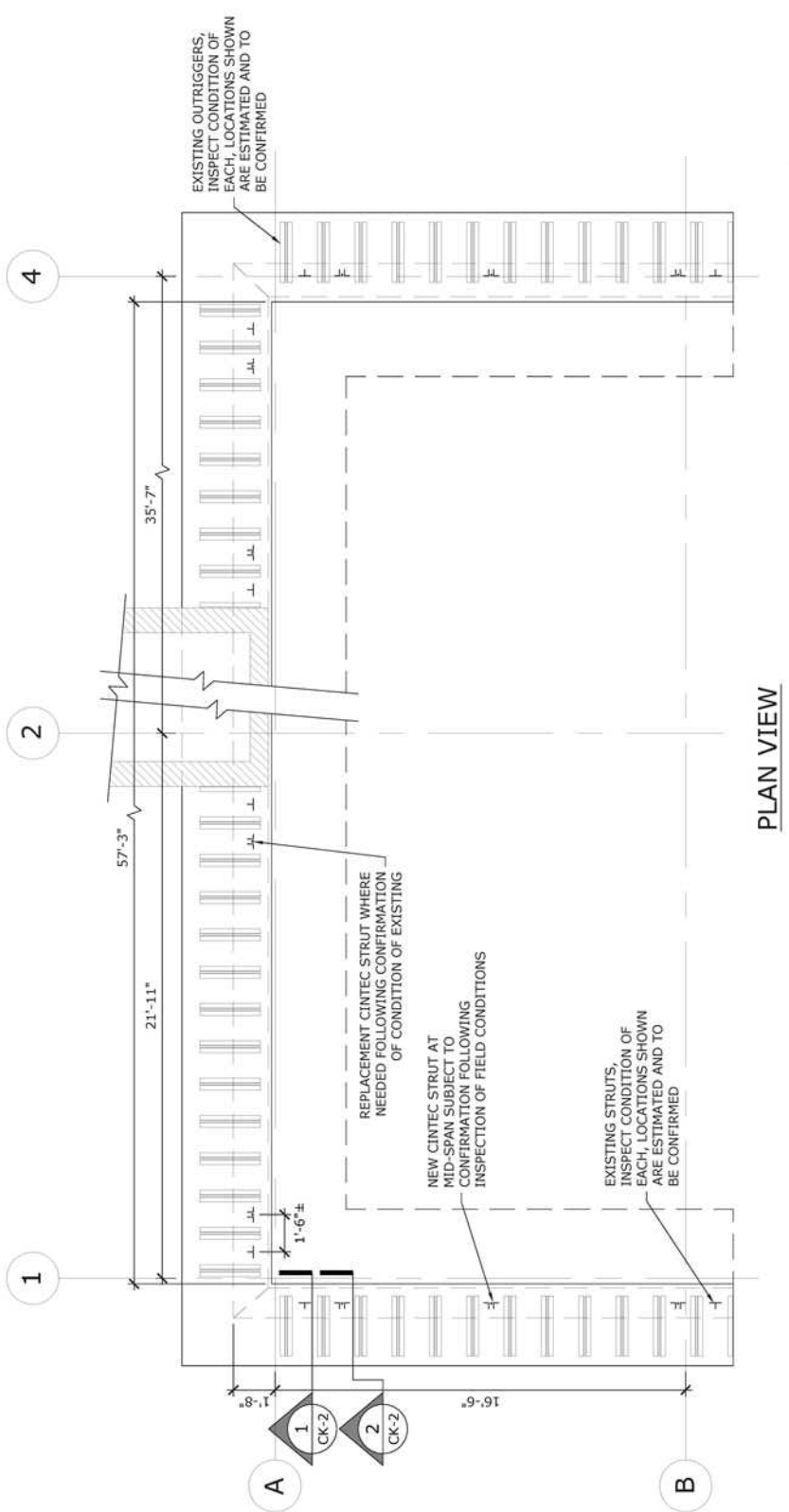


Engineered Grout Injection Anchors by:
Cintec Reinforcement Systems
 Tel: 1-410-761-0765
 1-613-225-3381
 Fax: 1-613-224-9042
 E-mail: solutions@cintec.com

Drawing Title:
**PROVINCE HOUSE
 PEI**



NOTICE: THIS DRAWING (INCLUDING THE DESIGN AND THE TECHNICAL INFORMATION SHOWN HEREON) BELONGS TO AND IS THE COPYRIGHT OF CINTEC REINFORCEMENT SYSTEMS ("Cintec") AND ACCORDINGLY THE PERSON, FIRM, COMPANY OR ORGANIZATION TO WHOM THIS DRAWING HAS BEEN PROVIDED MAY NOT COPY, RE-PRODUCE OR MAKE ANY USE OF THE DRAWING (INCLUDING THE DESIGN OR ANY OF THE TECHNICAL INFORMATION SHOWN HEREON) OR SHOW OR OTHERWISE PROVIDE THE DRAWING (OR THE SAID DESIGN OR ANY OF THE TECHNICAL INFORMATION) TO ANY THIRD PARTY WITHOUT CINTEC'S SPECIFIC PERMISSION.



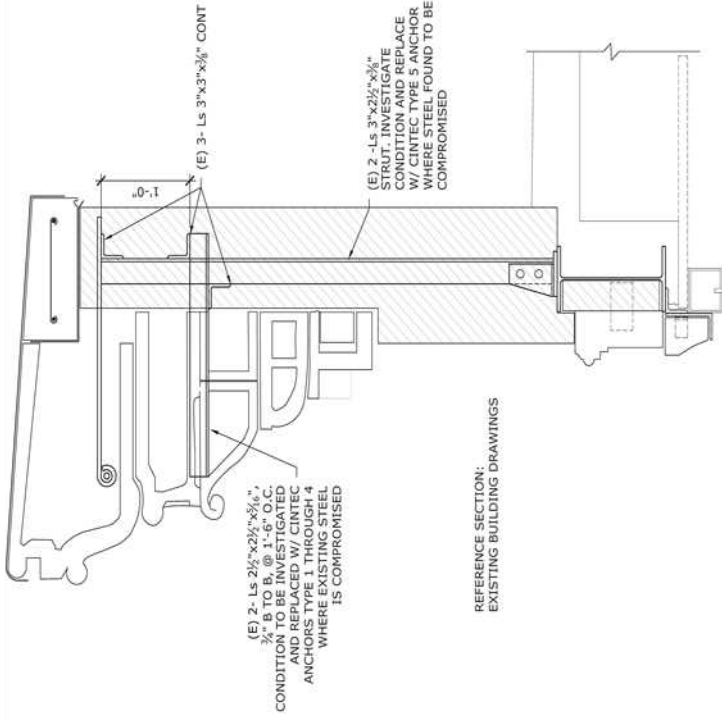
Engineered Grout Injection Anchors by:
Cintec Reinforcement Systems
 Tel: 1-410-761-0765
 1-613-225-3381
 Fax: 1-613-224-9042
 E-mail: solutions@cintec.com



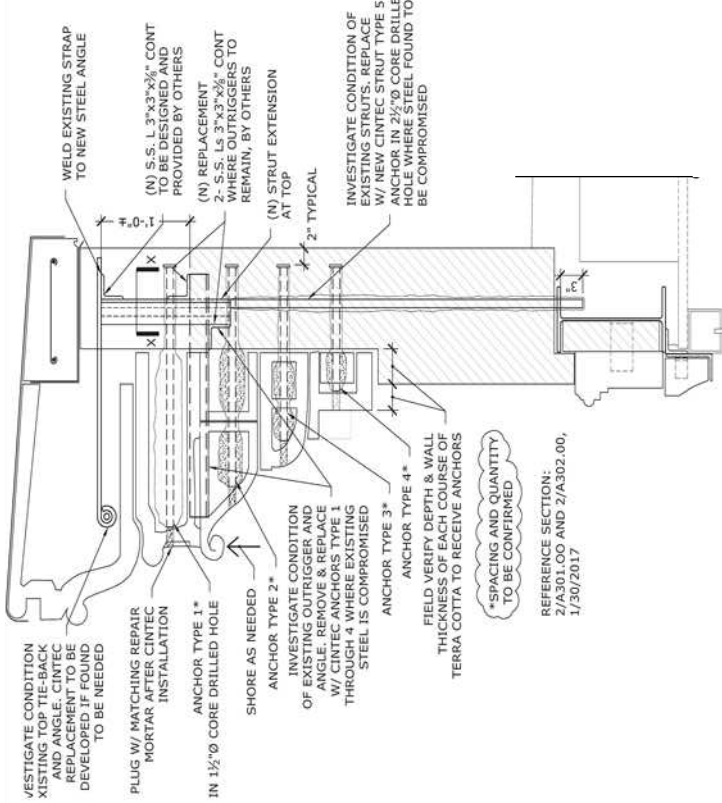
Drawing Title:
P.S. 105X, Bronx
Water Infiltration Parapets,
ROOF PARAPET PLAN



NOTICE: THIS DRAWING (INCLUDING THE DESIGN AND THE TECHNICAL INFORMATION SHOWN HEREON) BELONGS TO AND IS THE COPYRIGHT OF CINTEC REINFORCEMENT SYSTEMS ("Cintec") AND ACCORDINGLY THE PERSON, FIRM, COMPANY OR ORGANIZATION TO WHOM THIS DRAWING HAS BEEN PROVIDED MAY NOT COPY, RE-PRODUCE OR MAKE ANY USE OF THE DRAWING (INCLUDING THE DESIGN OR ANY OF THE TECHNICAL INFORMATION SHOWN HEREON) OR SHOW OR OTHERWISE PROVIDE THE DRAWING OR THE SAID DESIGN OR ANY OF THE TECHNICAL INFORMATION TO ANY THIRD PARTY WITHOUT CINTEC'S SPECIFIC PERMISSION.



1 SECTION THROUGH EXISTING STEEL SUPPORT
1" = 1'-0"



2 SECTION THROUGH PROPOSED STEEL SUPPORT
1" = 1'-0"

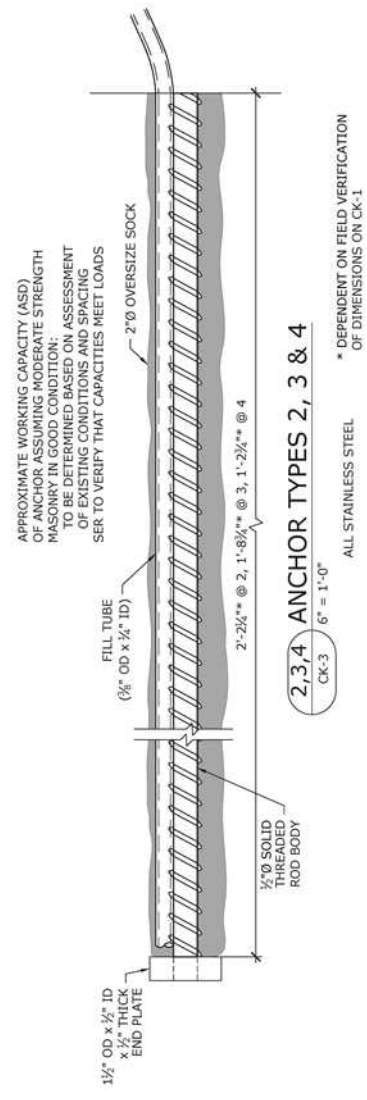
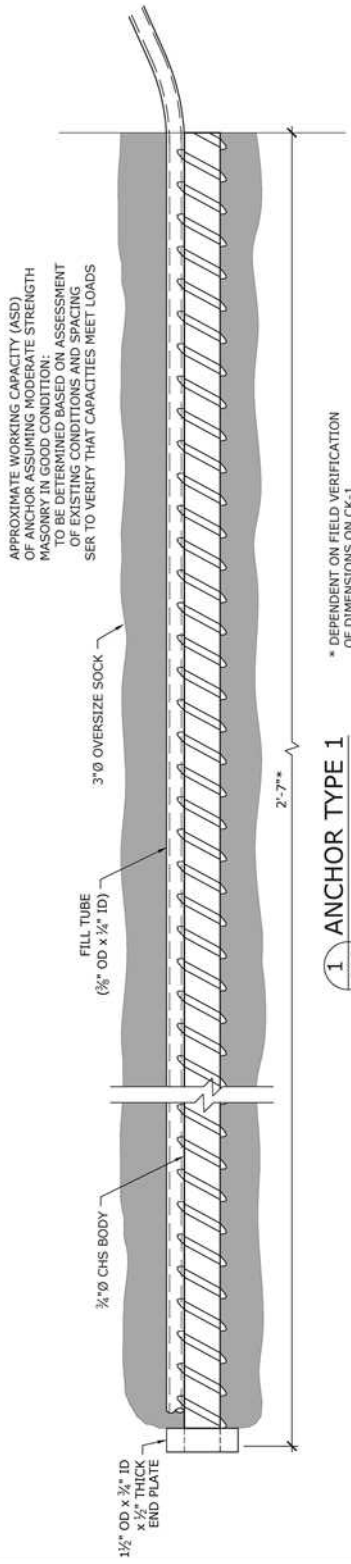


Engineered Grout Injection Anchors by:
Cintec Reinforcement Systems
 Tel: 1-410-761-0765
 1-613-225-3381
 Fax: 1-613-224-9042
 E-mail: solutions@cintec.com

Drawing Title:
**P.S. 105X, Bronx
 Water Infiltration Parapets,
 ROOF PARAPET SECTIONS**



NOTICE: THIS DRAWING (INCLUDING THE DESIGN AND THE TECHNICAL INFORMATION SHOWN HEREON) BELONGS TO AND IS THE COPYRIGHT OF CINTEC REINFORCEMENT SYSTEMS ("Cintec") AND ACCORDINGLY THE PERSON, FIRM, COMPANY OR ORGANIZATION TO WHOM THIS DRAWING HAS BEEN PROVIDED MAY NOT COPY, RE-PRODUCE OR MAKE ANY USE OF THE DRAWING (INCLUDING THE DESIGN OR ANY OF THE TECHNICAL INFORMATION SHOWN HEREON) OR SHOW OR OTHERWISE PROVIDE THE DRAWING (OR THE SAID DESIGN OR ANY OF THE TECHNICAL INFORMATION) TO ANY THIRD PARTY WITHOUT CINTEC'S SPECIFIC PERMISSION.



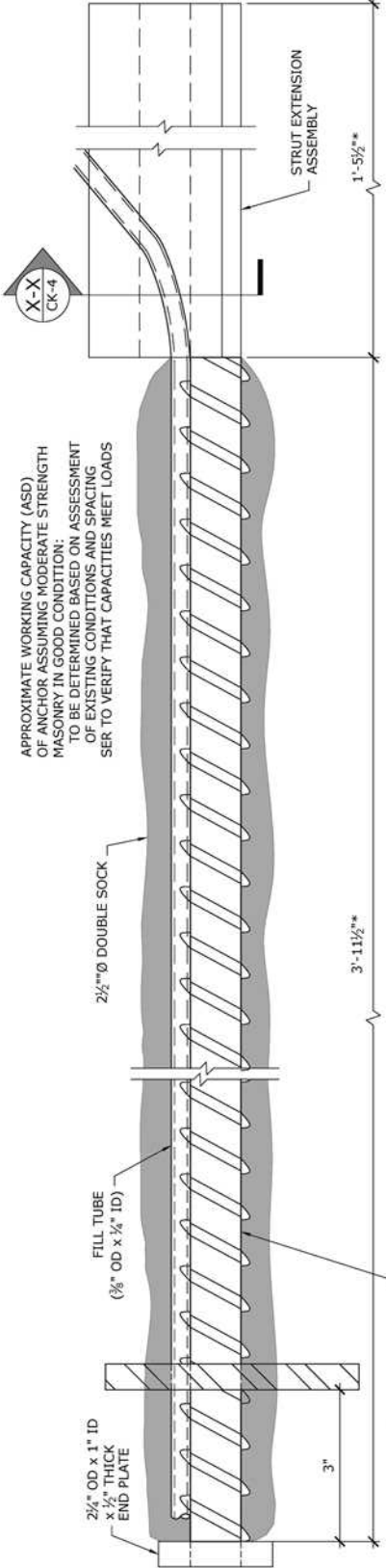
Engineered Grout Injection Anchors by:
Cintec Reinforcement Systems
 Tel: 1-410-761-0765
 1-613-225-3381
 Fax: 1-613-224-9042
 E-mail: solutions@cintec.com



Drawing Title:
**P.S. 105X, Bronx
 Water Infiltration Parapets,
 ANCHOR DETAILS**



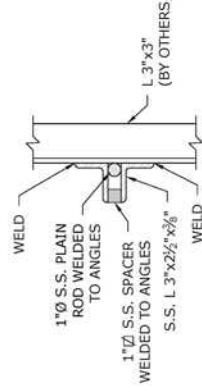
NOTICE: THIS DRAWING (INCLUDING THE DESIGN AND THE TECHNICAL INFORMATION SHOWN HEREON) BELONGS TO AND IS THE COPYRIGHT OF CINTEC REINFORCEMENT SYSTEMS ("Cintec") AND ACCORDINGLY THE PERSON, FIRM, COMPANY OR ORGANIZATION TO WHOM THIS DRAWING HAS BEEN PROVIDED MAY NOT COPY, RE-PRODUCE OR MAKE ANY USE OF THE DRAWING (INCLUDING THE DESIGN OR ANY OF THE TECHNICAL INFORMATION SHOWN HEREON) OR SHOW OR OTHERWISE PROVIDE THE DRAWING (OR THE SAID DESIGN OR ANY OF THE TECHNICAL INFORMATION) TO ANY THIRD PARTY WITHOUT CINTEC'S SPECIFIC PERMISSION.



APPROXIMATE WORKING CAPACITY (ASD) OF ANCHOR ASSUMING MODERATE STRENGTH MASONRY IN GOOD CONDITION: TO BE DETERMINED BASED ON ASSESSMENT OF EXISTING CONDITIONS AND SPACING SER TO VERIFY THAT CAPACITIES MEET LOADS.

5 ANCHOR TYPE 5
CK-4 6" = 1'-0"

* DEPENDENT ON FIELD VERIFICATION OF DIMENSIONS ON CK-1



(X-X) PLAN DETAIL
CK-4 1 1/2" = 1'-0"

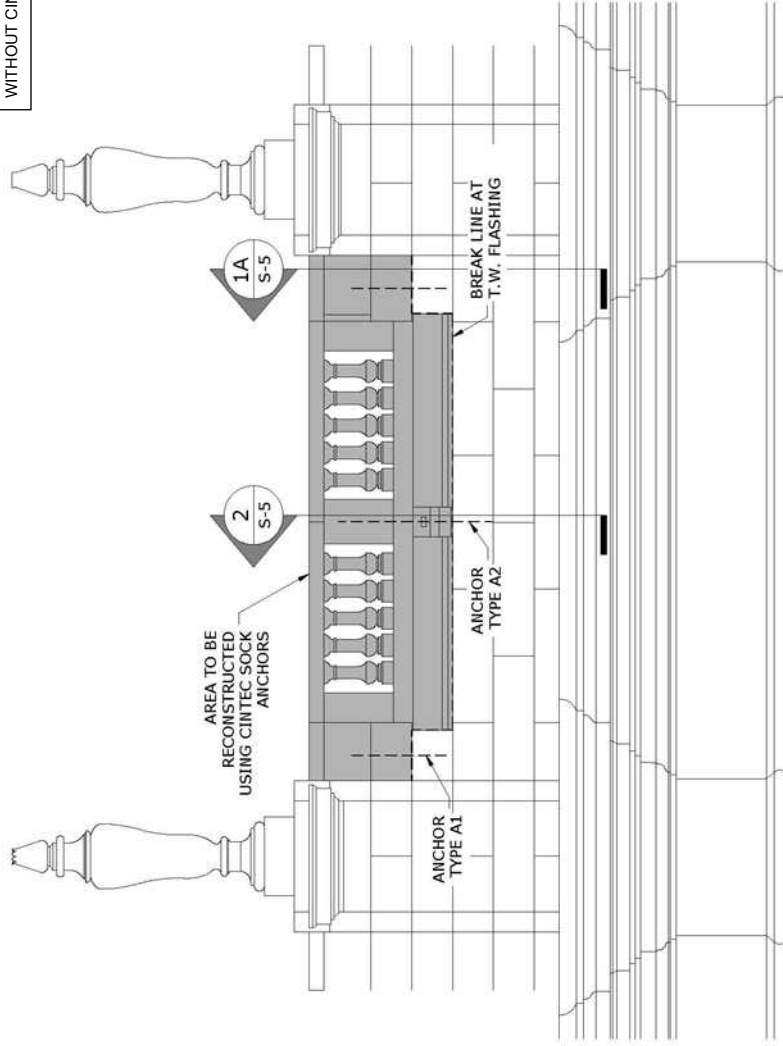
Engineered Grout Injection Anchors by:
Cintec Reinforcement Systems
 Tel: 1-410-761-0765
 1-613-225-3381
 Fax: 1-613-224-9042
 E-mail: solutions@cintec.com



Drawing Title:
P.S. 105X, Bronx
Water Infiltration Parapets,
ANCHOR DETAILS



NOTICE: THIS DRAWING (INCLUDING THE DESIGN AND THE TECHNICAL INFORMATION SHOWN HEREON) BELONGS TO AND IS THE COPYRIGHT OF CINTEC REINFORCEMENT SYSTEMS ("Cintec") AND ACCORDINGLY THE PERSON, FIRM, COMPANY OR ORGANIZATION TO WHOM THIS DRAWING HAS BEEN PROVIDED MAY NOT COPY, RE-PRODUCE OR MAKE ANY USE OF THE TECHNICAL INFORMATION SHOWN HEREON OR SHOW OR OTHERWISE PROVIDE THE DRAWING (OR THE SAID DESIGN OR ANY OF THE TECHNICAL INFORMATION) TO ANY THIRD PARTY WITHOUT CINTEC'S SPECIFIC PERMISSION.



TYPICAL NAVE PARAPET AT RAILING
 (ELEVATION)
 1/4" = 1'-0"

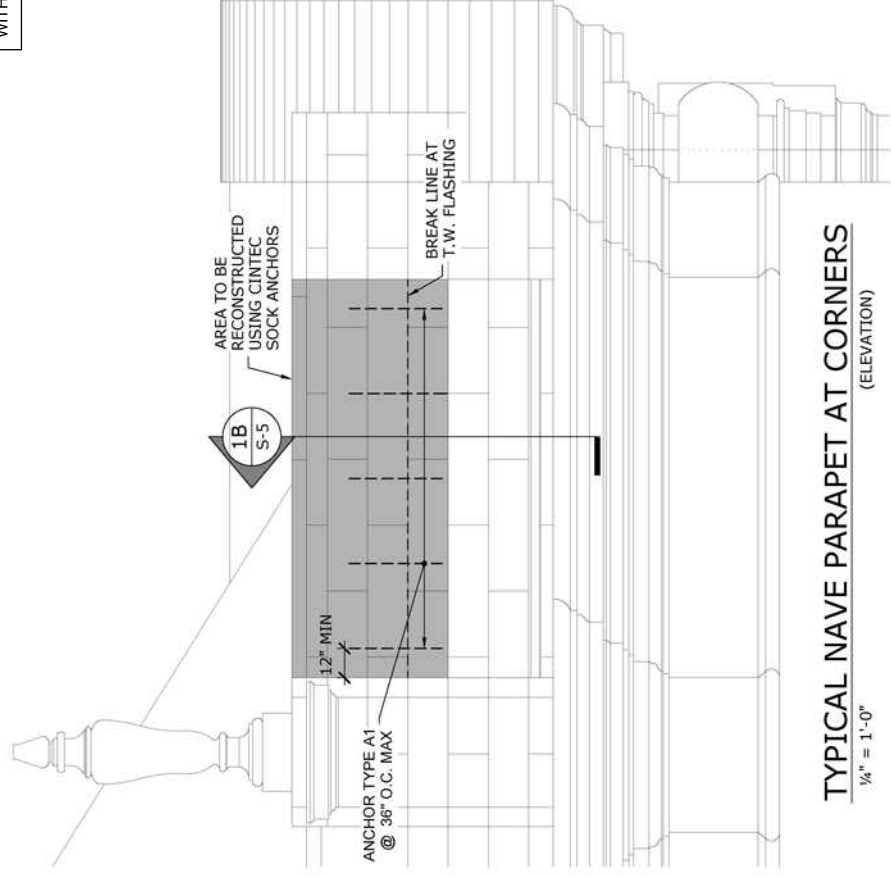
Engineered Grout Injection Anchors by:
Cintec Reinforcement Systems
 Tel: 1-410-761-0765
 1-613-225-3381
 Fax: 1-613-224-9042
 E-mail: solutions@cintec.com



Drawing Title:
**U.S. Naval Academy
 Building 108
 Repair Chapel Exterior**



NOTICE: THIS DRAWING (INCLUDING THE DESIGN AND THE TECHNICAL INFORMATION SHOWN HEREON) BELONGS TO AND IS THE COPYRIGHT OF CINTEC REINFORCEMENT SYSTEMS ("Cintec") AND ACCORDINGLY THE PERSON, FIRM, COMPANY OR ORGANIZATION TO WHOM THIS DRAWING HAS BEEN PROVIDED MAY NOT COPY, REPRODUCE OR MAKE ANY USE OF THE DRAWING (INCLUDING THE DESIGN OR ANY OF THE TECHNICAL INFORMATION SHOWN HEREON) OR SHOW OR OTHERWISE PROVIDE THE DRAWING (OR THE SAID DESIGN OR ANY OF THE TECHNICAL INFORMATION) TO ANY THIRD PARTY WITHOUT CINTEC'S SPECIFIC PERMISSION.



TYPICAL NAVE PARAPET AT CORNERS
(ELEVATION)
 1/4" = 1'-0"

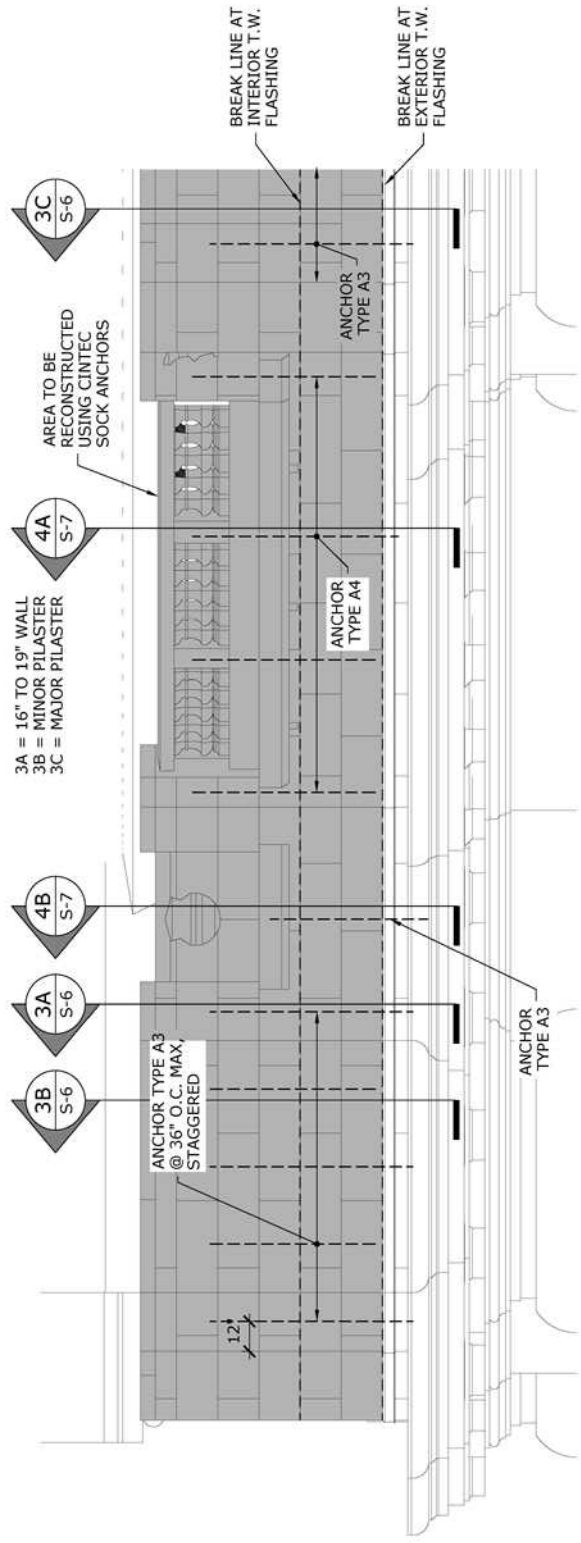
Engineered Grout Injection Anchors by:
Cintec Reinforcement Systems
 Tel: 1-410-761-0765
 1-613-225-3381
 Fax: 1-613-224-9042
 E-mail: solutions@cintec.com



Drawing Title:
**U.S. Naval Academy
 Building 108
 Repair Chapel Exterior**



NOTICE: THIS DRAWING (INCLUDING THE DESIGN AND THE TECHNICAL INFORMATION SHOWN HEREON) BELONGS TO AND IS THE COPYRIGHT OF CINTEC REINFORCEMENT SYSTEMS ("Cintec") AND ACCORDINGLY THE PERSON, FIRM, COMPANY OR ORGANIZATION TO WHOM THIS DRAWING HAS BEEN PROVIDED MAY NOT COPY, RE-PRODUCE OR MAKE ANY USE OF THE DRAWING (INCLUDING THE DESIGN OR ANY OF THE TECHNICAL INFORMATION SHOWN HEREON) OR SHOW OR OTHERWISE PROVIDE THE DRAWING (OR THE SAID DESIGN OR ANY OF THE TECHNICAL INFORMATION) TO ANY THIRD PARTY WITHOUT CINTEC'S SPECIFIC PERMISSION.



TYPICAL CHAPEL PARAPET ELEVATION

1/4" = 1'-0"

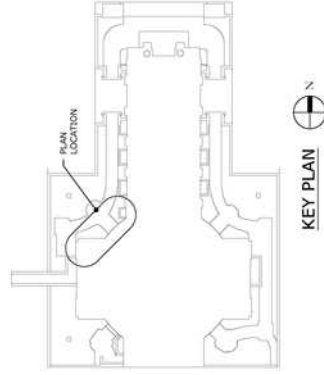
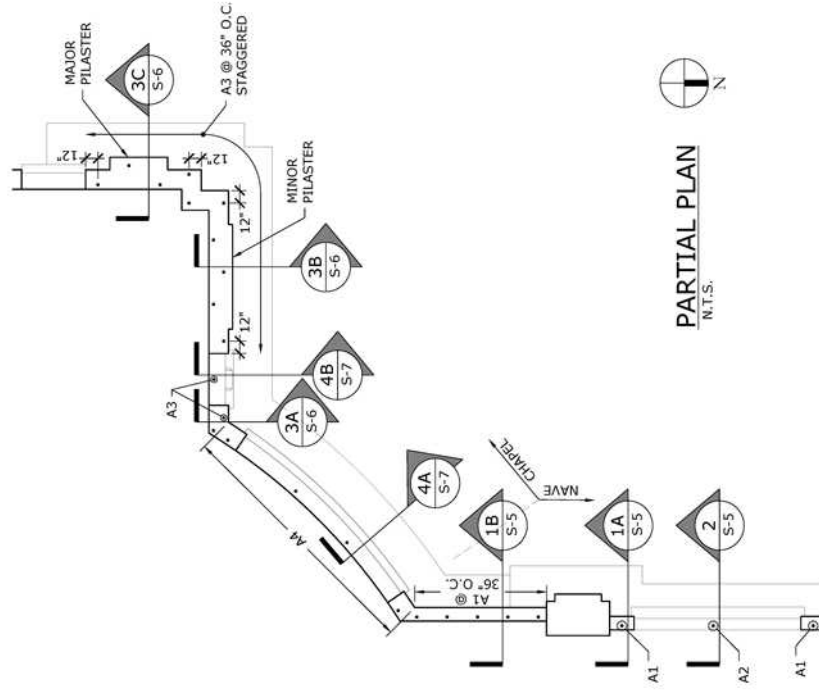


Engineered Grout Injection Anchors by:
Cintec Reinforcement Systems
 Tel: 1-410-761-0765
 1-613-225-3381
 Fax: 1-613-224-9042
 E-mail: solutions@cintec.com

Drawing Title:
**U.S. Naval Academy
 Building 108
 Repair Chapel Exterior**



NOTICE: THIS DRAWING (INCLUDING THE DESIGN AND THE TECHNICAL INFORMATION SHOWN HEREON) BELONGS TO AND IS THE COPYRIGHT OF CINTEC REINFORCEMENT SYSTEMS ("Cintec") AND ACCORDINGLY THE PERSON, FIRM, COMPANY OR ORGANIZATION TO WHOM THIS DRAWING HAS BEEN PROVIDED MAY NOT COPY, RE-PRODUCE OR MAKE ANY USE OF THE DRAWING (INCLUDING THE DESIGN OR ANY OF THE TECHNICAL INFORMATION SHOWN HEREON) OR SHOW OR OTHERWISE PROVIDE THE TECHNICAL INFORMATION TO ANY THIRD PARTY WITHOUT CINTEC'S SPECIFIC PERMISSION.



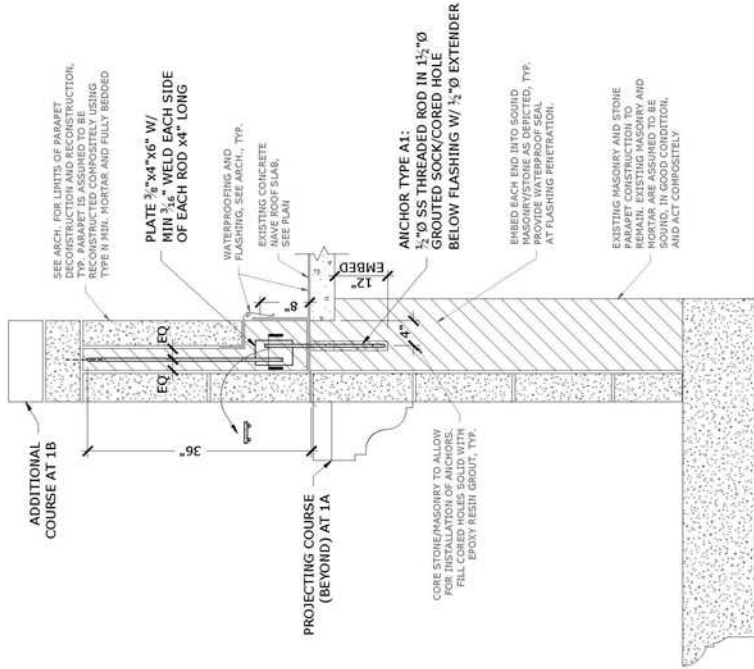
Engineered Grout Injection Anchors by:
Cintec Reinforcement Systems
 Tel: 1-410-761-0765
 1-613-225-3381
 Fax: 1-613-224-9042
 E-mail: solutions@cintec.com



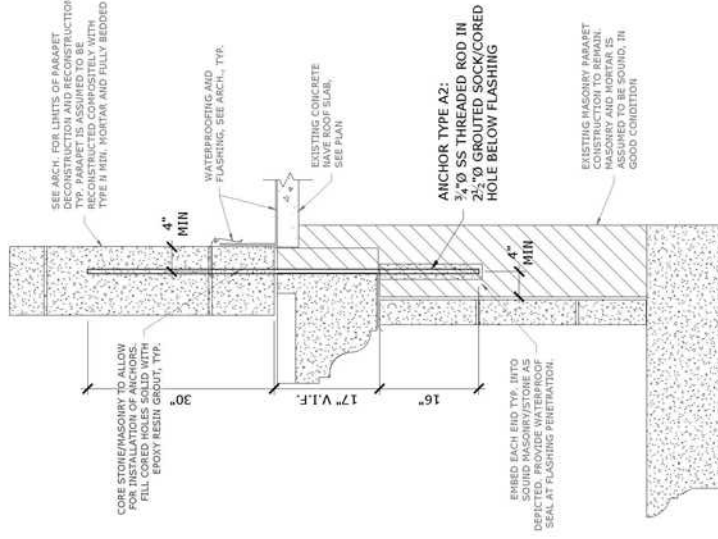
Drawing Title:
**U.S. Naval Academy
 Building 108
 Repair Chapel Exterior**



NOTICE: THIS DRAWING (INCLUDING THE DESIGN AND THE TECHNICAL INFORMATION SHOWN HEREON) BELONGS TO AND IS THE COPYRIGHT OF CINTEC REINFORCEMENT SYSTEMS ("Cintec") AND ACCORDINGLY THE PERSON, FIRM, COMPANY OR ORGANIZATION TO WHOM THIS DRAWING HAS BEEN PROVIDED MAY NOT COPY, RE-PRODUCE OR MAKE ANY USE OF THE DRAWING (INCLUDING THE DESIGN OR ANY OF THE TECHNICAL INFORMATION SHOWN HEREON) OR SHOW OR OTHERWISE PROVIDE THE TECHNICAL INFORMATION TO ANY THIRD PARTY WITHOUT CINTEC'S SPECIFIC PERMISSION.



1A 1B TYPICAL NAVE PARAPET SECTION
S-5 S-5 AT SOLID RECESSED PANELS
3/4" = 1'-0" REFERENCE DETAIL: 1/S802



2 TYPICAL NAVE PARAPET SECTION
S-5 S-5 AT CENTER OF RAILING
3/4" = 1'-0" REFERENCE DETAIL: 4/S802

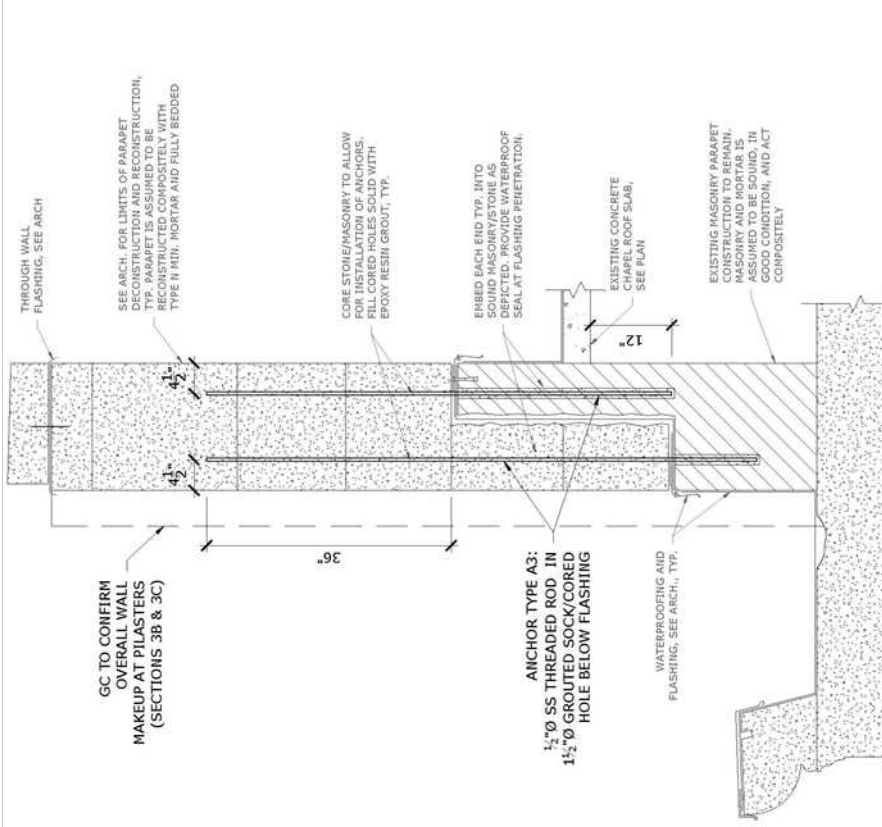
Engineered Grout Injection Anchors by:
Cintec Reinforcement Systems
 Tel: 1-410-761-0765
 1-613-225-3381
 Fax: 1-613-224-9042
 E-mail: solutions@cintec.com



Drawing Title:
**U.S. Naval Academy
 Building 108
 Repair Chapel Exterior**



NOTICE: THIS DRAWING (INCLUDING THE DESIGN AND THE TECHNICAL INFORMATION SHOWN HEREON) BELONGS TO AND IS THE COPYRIGHT OF CINTEC REINFORCEMENT SYSTEMS ("Cintec") AND ACCORDINGLY THE PERSON, FIRM, COMPANY OR ORGANIZATION TO WHOM THIS DRAWING HAS BEEN PROVIDED MAY NOT COPY, RE-PRODUCE OR MAKE ANY USE OF THE DRAWING (INCLUDING THE DESIGN OR ANY OF THE TECHNICAL INFORMATION SHOWN HEREON) OR SHOW OR OTHERWISE PROVIDE THE DRAWING (OR THE SAID DESIGN OR ANY OF THE TECHNICAL INFORMATION) TO ANY THIRD PARTY WITHOUT CINTEC'S SPECIFIC PERMISSION.



3A TYPICAL CHAPEL PARAPET SECTION

S-6 3/4" = 1'-0"

REFERENCE DETAIL: 3/S802

3B 3C

SIMILAR

Engineered Grout Injection Anchors by:
Cintec Reinforcement Systems
 Tel: 1-410-761-0765
 1-613-225-3381
 Fax: 1-613-224-9042
 E-mail: solutions@cintec.com



Drawing Title:
**U.S. Naval Academy
 Building 108
 Repair Chapel Exterior**

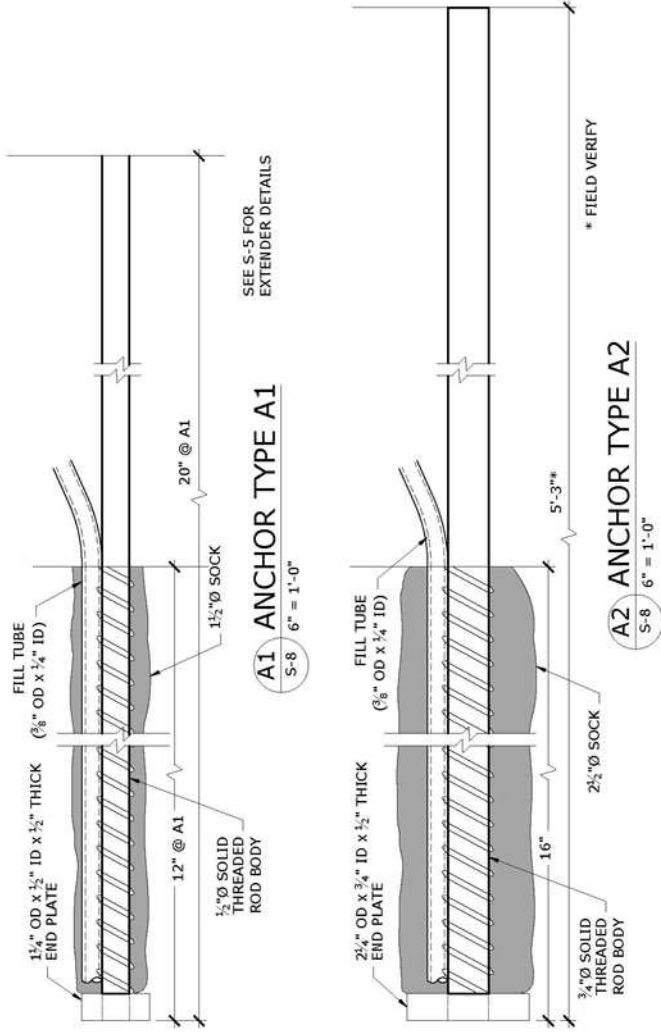


NOTICE: THIS DRAWING (INCLUDING THE DESIGN AND THE TECHNICAL INFORMATION SHOWN HEREON) BELONGS TO AND IS THE COPYRIGHT OF CINTEC REINFORCEMENT SYSTEMS ("Cintec") AND ACCORDINGLY THE PERSON, FIRM, COMPANY OR ORGANIZATION TO WHOM THIS DRAWING HAS BEEN PROVIDED MAY NOT COPY, RE-PRODUCE OR MAKE ANY USE OF THE DRAWING (INCLUDING THE DESIGN OR ANY OF THE TECHNICAL INFORMATION SHOWN HEREON) OR SHOW OR OTHERWISE PROVIDE THE DRAWING (OR THE SAID DESIGN OR ANY OF THE TECHNICAL INFORMATION) TO ANY THIRD PARTY WITHOUT CINTEC'S SPECIFIC PERMISSION.

CINTEC ANCHOR SPECIFICATIONS

ANCHOR TYPE	SECTION TYPE	REFERENCE DETAIL	BODY Ø (Bd)	OVERALL LENGTH (OL)	SOCKED LENGTH (SL)	SOCK Ø (Sd)	CORE HOLE Ø
TYPE A1	M12 SRT (A)	1, S-5 / 1, A802	1/2"	20"	12"	1 1/2"	1 1/2"
TYPE A2	M20 SRT (A)	2, S-5 / 4, A802	3/4"	63"(B)	16"	2"	2"
TYPE A3.1	M12 SRT (A)	3, S-6 / 2, A802	1/2"	81"(B)	12"	1 1/2"	1 1/2"
TYPE A3.2	M12 SRT (A)	3, S-6 / 2, A802	1/2"	68"(B)	30"(B)	1 1/2"	1 1/2"
TYPE A4	M24 SRT (A)	4, S-7 / 5, A802	1"	82"(B)	38"(B)	2"	2"

NOTES:
 (A) TYPE 304 STAINLESS STEEL
 (B) DIMENSION TO BE CONFIRMED BY CONTRACTOR BASED ON ACTUAL COMPONENT GEOMETRY



NOTES:
 1. LOCATIONS AND QUANTITIES OF ANCHORS TO BE DETERMINED BY CONTRACTOR.

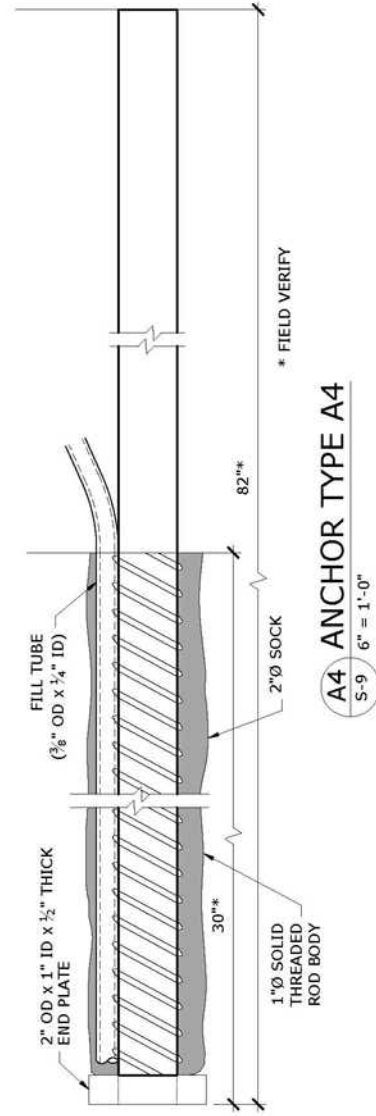
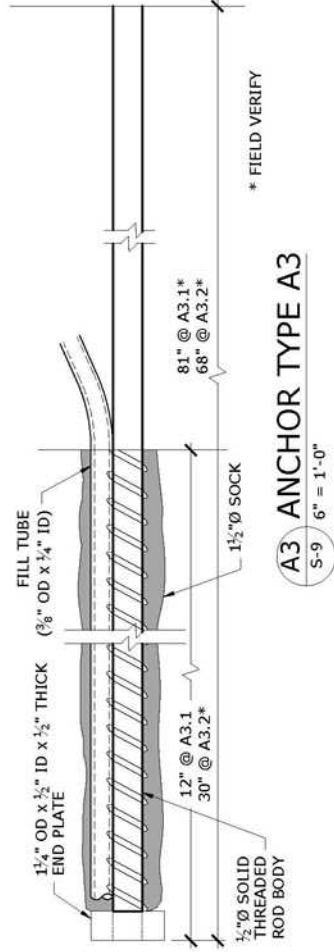


Engineered Grout Injection Anchors by:
Cintec Reinforcement Systems
 Tel: 1-410-761-0765
 1-613-225-3381
 Fax: 1-613-224-9042
 E-mail: solutions@cintec.com

Drawing Title:
**U.S. Naval Academy
 Building 108
 Repair Chapel Exterior**



NOTICE: THIS DRAWING (INCLUDING THE DESIGN AND THE TECHNICAL INFORMATION SHOWN HEREON) BELONGS TO AND IS THE COPYRIGHT OF CINTEC REINFORCEMENT SYSTEMS ("Cintec") AND ACCORDINGLY THE PERSON, FIRM, COMPANY OR ORGANIZATION TO WHOM THIS DRAWING HAS BEEN PROVIDED MAY NOT COPY, RE-PRODUCE OR MAKE ANY USE OF THE DRAWING (INCLUDING THE DESIGN OR ANY OF THE TECHNICAL INFORMATION SHOWN HEREON) OR SHOW OR OTHERWISE PROVIDE THE DRAWING (OR THE SAID DESIGN OR ANY OF THE TECHNICAL INFORMATION) TO ANY THIRD PARTY WITHOUT CINTEC'S SPECIFIC PERMISSION.

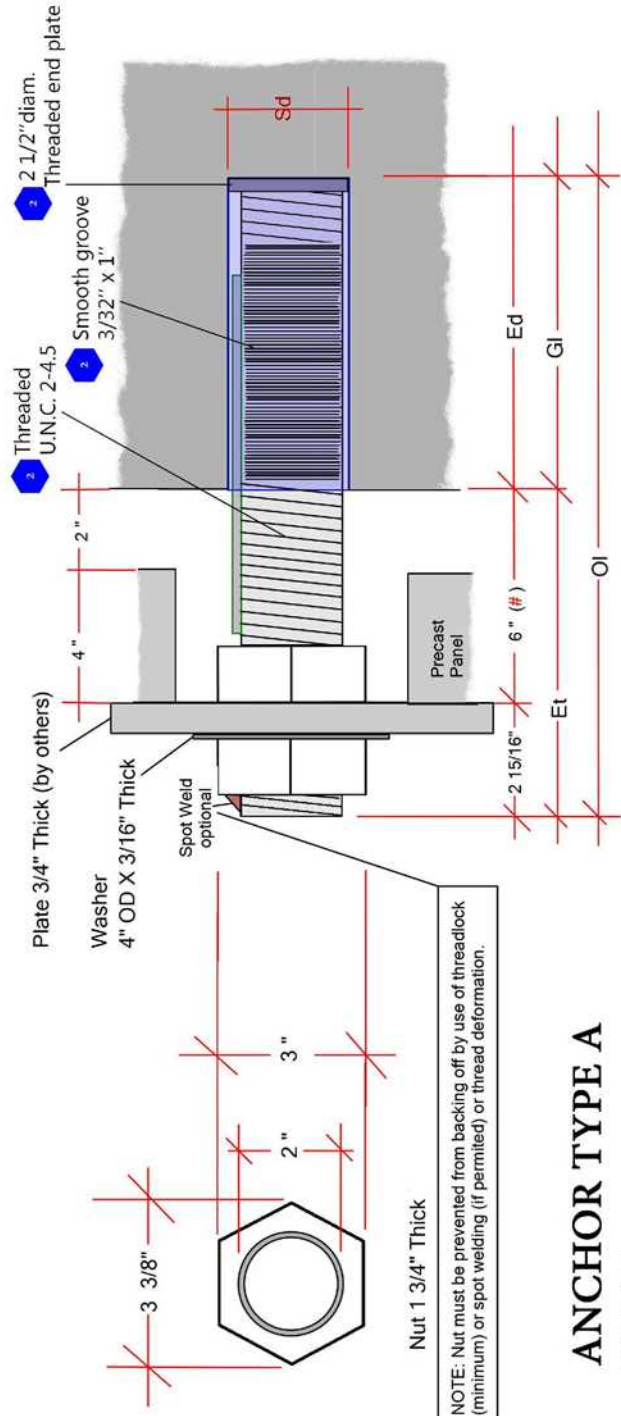


Engineered Grout Injection Anchors by:
Cintec Reinforcement Systems
 Tel: 1-410-761-0765
 1-613-225-3381
 Fax: 1-613-224-9042
 E-mail: solutions@cintec.com

Drawing Title:
**U.S. Naval Academy
 Building 108
 Repair Chapel Exterior**



NOTICE: THIS DRAWING (INCLUDING THE DESIGN AND THE TECHNICAL INFORMATION SHOWN HEREON) BELONGS TO AND IS THE COPYRIGHT OF CINTEC REINFORCEMENT SYSTEMS ("Cintec") AND ACCORDINGLY THE PERSON, FIRM, COMPANY OR ORGANIZATION TO WHOM THIS DRAWING HAS BEEN PROVIDED MAY NOT COPY, RE-PRODUCE OR MAKE ANY USE OF THE DRAWING (INCLUDING THE DESIGN OR ANY OF THE TECHNICAL INFORMATION SHOWN HEREON) OR SHOW OR OTHERWISE PROVIDE THE DRAWING (OR THE SAID DESIGN OR ANY OF THE TECHNICAL INFORMATION) TO ANY THIRD PARTY WITHOUT CINTEC'S SPECIFIC PERMISSION.



ANCHOR TYPE A
REV 5

ANCHOR TYPE	REVISION	BODY Ø Bd	OVERALL LENGTH O1	SOCKETED LENGTH G1	EXPOSED THREAD Et	FACTORED FORCES	EMBED DEPTH Ed	SOCK Ø Sd	CORE HOLE Ø	HARDWARE
Stainless Steel 17-4 PH Min Fy 785 Mpa	5	2 inch	20 15/16 inch	12 inch	8 13/16 inch	$V_R = 45 \text{ kN}$ $V_H = 15 \text{ kN}$ $M_F = 2.25 \text{ kN}$	12 inch	2 3/4 inch	2 3/4 inch	2 Nuts, 1 Washer
TYPE A										

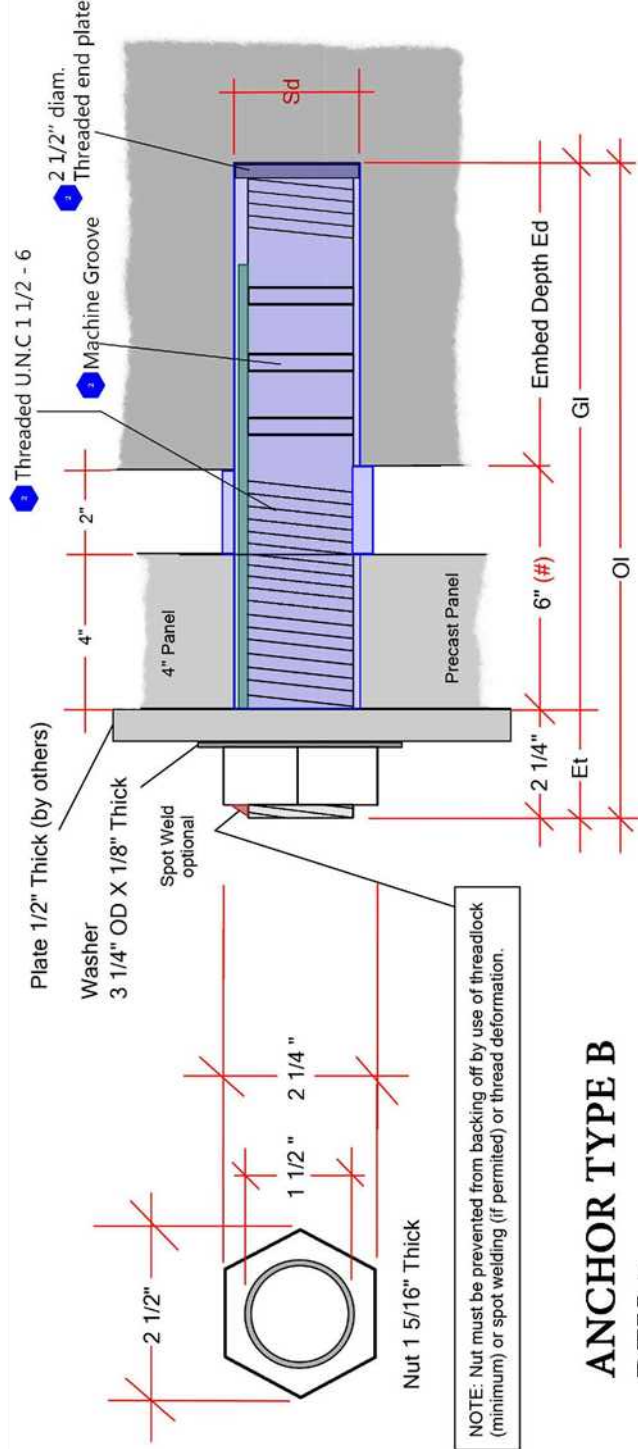


Engineered Grout Injection Anchors by:
Cintec Reinforcement Systems
 Tel: 1-410-761-0765
 1-613-225-3381
 Fax: 1-613-224-9042
 E-mail: solutions@cintec.com

Drawing Title:
401 Bay



NOTICE: THIS DRAWING (INCLUDING THE DESIGN AND THE TECHNICAL INFORMATION SHOWN HEREON) BELONGS TO AND IS THE COPYRIGHT OF CINTEC REINFORCEMENT SYSTEMS ("Cintec") AND ACCORDINGLY THE PERSON, FIRM, COMPANY OR ORGANIZATION TO WHOM THIS DRAWING HAS BEEN PROVIDED MAY NOT COPY, RE-PRODUCE OR MAKE ANY USE OF THE DRAWING (INCLUDING THE DESIGN OR ANY OF THE TECHNICAL INFORMATION SHOWN HEREON) OR SHOW OR OTHERWISE PROVIDE THE DRAWING (OR THE SAID DESIGN OR ANY OF THE TECHNICAL INFORMATION) TO ANY THIRD PARTY WITHOUT CINTEC'S SPECIFIC PERMISSION.



NOTE: Nut must be prevented from backing off by use of threadlock (minimum) or spot welding (if permitted) or thread deformation.

**ANCHOR TYPE B
REV 5**

ANCHOR TYPE	REVISION	BODY ϕ Bd	OVERALL LENGTH OI	SOCKET LENGTH GI	FACTORED FORCES	EXPOSED THREAD Et	EMBED DEPTH Ed	SOCK ϕ Sd	CORE HOLE ϕ	HARDWARE
Stainless Steel 17-4 PH Min Fy 785 Mpa	5	1 1/2 inch	18 1/4 inch	16 inch	$F_u = 15 \text{ AN}$ $A_t = 1.58 \text{ IN}^2$	2 1/4 inch	10 inch	2 1/4 inch	2 1/4 inch	1 Nut, 1 Washer

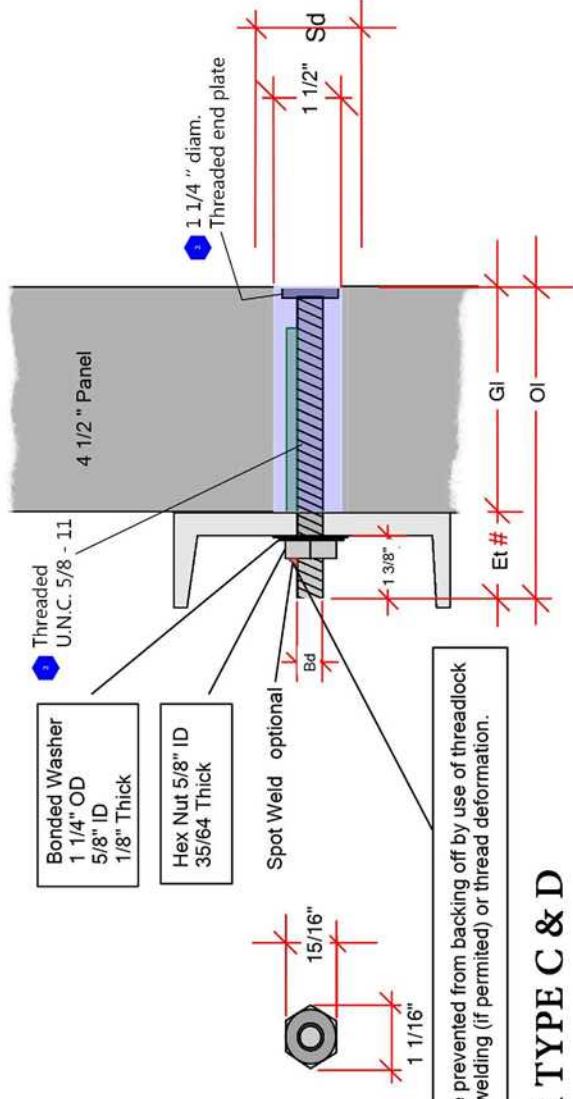


Engineered Grout Injection Anchors by:
Cintec Reinforcement Systems
 Tel: 1-410-761-0765
 1-613-225-3381
 Fax: 1-613-224-9042
 E-mail: solutions@cintec.com

Drawing Title:
401 Bay



NOTICE: THIS DRAWING (INCLUDING THE DESIGN AND THE TECHNICAL INFORMATION SHOWN HEREON) BELONGS TO AND IS THE COPYRIGHT OF CINTEC REINFORCEMENT SYSTEMS ("Cintec") AND ACCORDINGLY THE PERSON, FIRM, COMPANY OR ORGANIZATION TO WHOM THIS DRAWING HAS BEEN PROVIDED MAY NOT COPY, RE-PRODUCE OR MAKE ANY USE OF THE DRAWING (INCLUDING THE DESIGN OR ANY OF THE TECHNICAL INFORMATION SHOWN HEREON) OR SHOW OR OTHERWISE PROVIDE THE DRAWING (OR THE SAID DESIGN OR ANY OF THE TECHNICAL INFORMATION) TO ANY THIRD PARTY WITHOUT CINTEC'S SPECIFIC PERMISSION.



NOTE: Nut must be prevented from backing off by use of threadlock (minimum) or spot welding (if permitted) or thread deformation.

ANCHOR TYPE C & D
REV 5

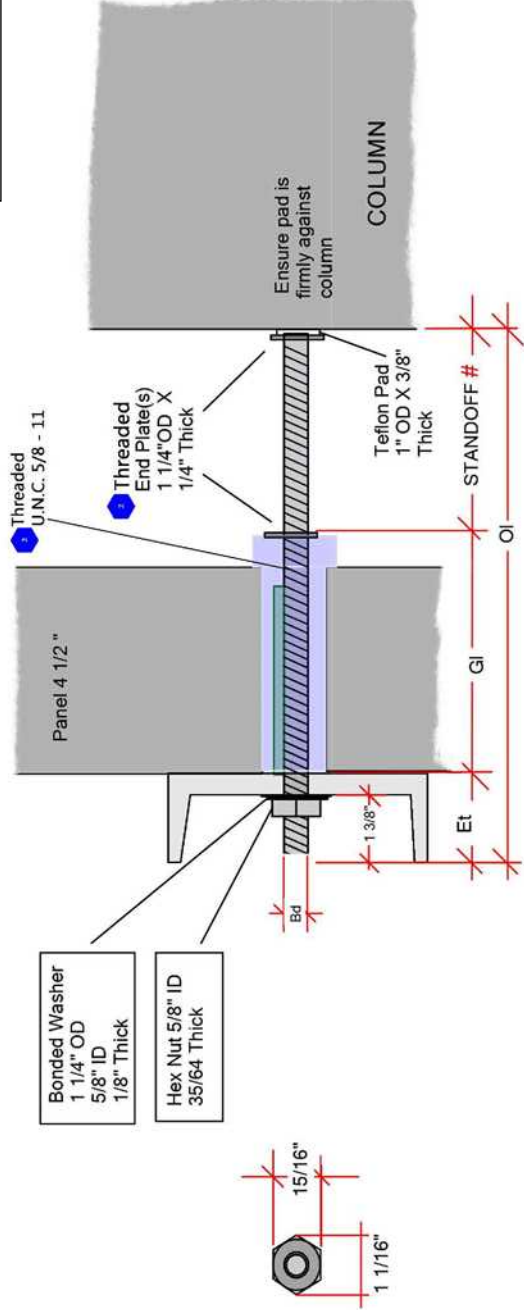
ANCHOR TYPE Stainless Steel Grade 304	REVISION	BODY ϕ Bd	OVERALL LENGTH OI	SOCKET LENGTH GI	FACTORED FORCES	EXPOSED THREAD Et	SOCKET ϕ Sd	CORE HOLE ϕ	HARDWARE
TYPE C	5	5/8 inch	6 1/2 inch	4 1/2 inch	Af = + 6.0 kN Vf = + 11 kN	2 inch	1 1/2 inch	1 1/2 inch	1 Nut, 1 Bonded Washer
TYPE D	5	5/8 inch	6 1/2 inch	4 1/2 inch	Af = + 6.0 kN Vf = + 11 kN	2 inch	1 1/2 inch	1 1/2 inch	1 Nut, 1 Bonded Washer



Engineered Grout Injection Anchors by:
Cintec Reinforcement Systems
Tel: 1-410-761-0765
1-613-225-3381
Fax: 1-613-224-9042
E-mail: solutions@cintec.com

Drawing Title:
401 Bay

NOTICE: THIS DRAWING (INCLUDING THE DESIGN AND THE TECHNICAL INFORMATION SHOWN HEREON) BELONGS TO AND IS THE COPYRIGHT OF CINTEC REINFORCEMENT SYSTEMS ("Cintec") AND ACCORDINGLY THE PERSON, FIRM, COMPANY OR ORGANIZATION TO WHOM THIS DRAWING HAS BEEN PROVIDED MAY NOT COPY, RE-PRODUCE OR MAKE ANY USE OF THE DRAWING (INCLUDING THE DESIGN OR ANY OF THE TECHNICAL INFORMATION SHOWN HEREON) OR SHOW OR OTHERWISE PROVIDE THE DRAWING (OR THE SAID DESIGN OR ANY OF THE TECHNICAL INFORMATION) TO ANY THIRD PARTY WITHOUT CINTEC'S SPECIFIC PERMISSION.



ANCHOR TYPE E & F
REV 5

ANCHOR TYPE	REVISION	BODY ϕ Bd	OVERALL LENGTH OI	SOCKED LENGTH GI	FACTORED FORCES	EXPOSED THREAD Et	SOCK ϕ Sd	CORE HOLE ϕ	STANDOFF*	HARDWARE
Stainless Steel Grade 304										
TYPE E	5	5/8 inch	10 inch	5 inch	$A_t = 96.5 \text{ kN}$	2 inch	2 inch	1 1/2 inch	3 inch	1 Nut, 1 Bonded Washer
TYPE F	5	5/8 inch	10 inch	5 inch	$A_t = 125 \text{ kN}$ $A_t = 96.5 \text{ kN}$	2 inch	2 inch	1 1/2 inch	3 inch	1 Nut, 1 Bonded Washer
TYPE E/F	5	5/8 inch	16 inch	5 inch		2 inch	2 inch	1 1/2 inch	9 inch	1 Nut, 1 Bonded Washer

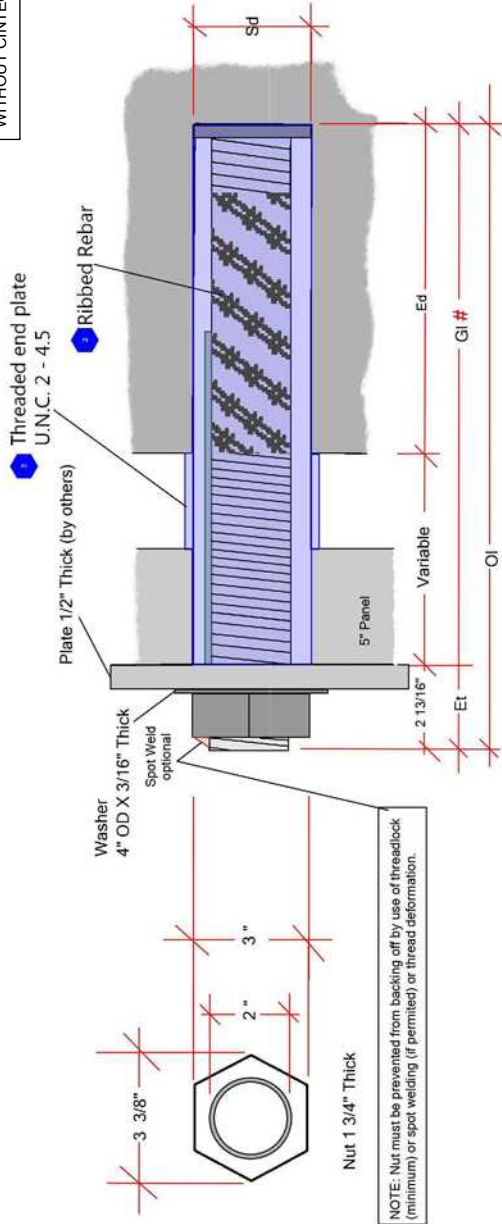
Engineered Grout Injection Anchors by:
Cintec Reinforcement Systems
Tel: 1-410-761-0765
1-613-225-3381
Fax: 1-613-224-9042
E-mail: solutions@cintec.com



Drawing Title:
401 Bay



NOTICE: THIS DRAWING (INCLUDING THE DESIGN AND THE TECHNICAL INFORMATION SHOWN HEREON) BELONGS TO AND IS THE COPYRIGHT OF CINTEC REINFORCEMENT SYSTEMS ("Cintec") AND ACCORDINGLY THE PERSON, FIRM, COMPANY OR ORGANIZATION TO WHOM THIS DRAWING HAS BEEN PROVIDED MAY NOT COPY, RE-PRODUCE OR MAKE ANY USE OF THE DRAWING (INCLUDING THE DESIGN HEREON) OR SHOW OR OTHERWISE PROVIDE THE DRAWING (OR THE SAID DESIGN OR ANY OF THE TECHNICAL INFORMATION) TO ANY THIRD PARTY WITHOUT CINTEC'S SPECIFIC PERMISSION.



ANCHOR TYPE G & L REV 5

ANCHOR TYPE	REVISION	BODY ϕ Bd	OVERALL LENGTH OI	FACTORED FORCES	SOCKED LENGTH GI	EXPOSED THREAD Et	EMBED DEPTH Et	SOCK ϕ Sd	CORE HOLE ϕ	HARDWARE
Stainless Steel Grade 2304 Duplex Min Fy 520 Mpa	5	2 inch	21 13/16 inch	$Vf = 35 \text{ kN}$ $Af = \pm 15 \text{ kN}$	19 inch	2 13/16 inch	12 inch	3 inch	3 inch	1 Nut, 1 Washer
TYPE G	5	2 inch	19 13/16 inch	$Vf = 26 \text{ kN}$ $Af = \pm 15 \text{ kN}$	17 inch	2 13/16 inch	10 inch	3 inch	3 inch	1 Nut, 1 Washer

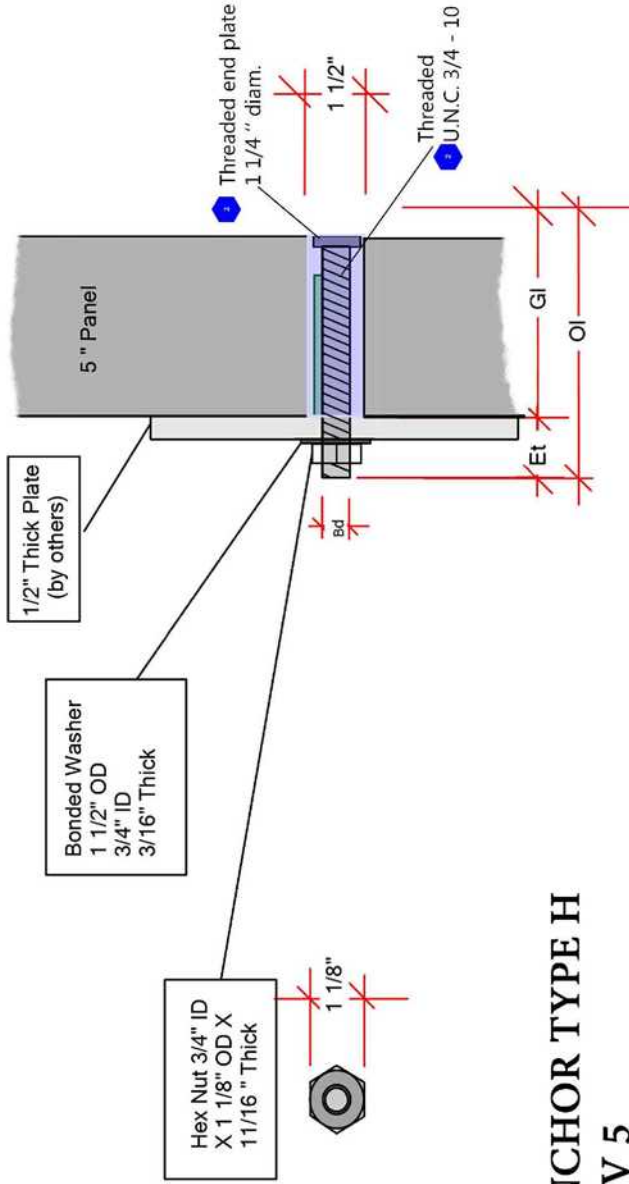


Engineered Grout Injection Anchors by:
Cintec Reinforcement Systems
 Tel: 1-410-761-0765
 1-613-225-3381
 Fax: 1-613-224-9042
 E-mail: solutions@cintec.com

Drawing Title:
401 Bay



NOTICE: THIS DRAWING (INCLUDING THE DESIGN AND THE TECHNICAL INFORMATION SHOWN HEREON) BELONGS TO AND IS THE COPYRIGHT OF CINTEC REINFORCEMENT SYSTEMS, ("Cintec") AND ACCORDINGLY THE PERSON, FIRM, COMPANY OR ORGANIZATION TO WHOM THIS DRAWING HAS BEEN PROVIDED MAY NOT COPY, RE-PRODUCE OR MAKE ANY USE OF THE DRAWING (INCLUDING THE DESIGN OR ANY OF THE TECHNICAL INFORMATION SHOWN HEREON) OR SHOW OR OTHERWISE PROVIDE THE DRAWING (OR THE SAID DESIGN OR ANY OF THE TECHNICAL INFORMATION) TO ANY THIRD PARTY WITHOUT CINTEC'S SPECIFIC PERMISSION.



ANCHOR TYPE H
REV 5

ANCHOR TYPE	REVISION	BODY ϕ Bd	OVERALL LENGTH OI	SOCKED LENGTH GI	FACTORED FORCES	EXPOSED THREAD EI	SOCK ϕ Sd	CORE HOLE ϕ	HARDWARE
Stainless Steel Grade 304	5	3/4 inch	7 inch	5 inch	$V_f = 15 \text{ kN}$ $A_f = +6 \text{ kN}$	2 inch	1 1/2 inch	1 1/2 inch	1 Nut, 1 Bonded Washer

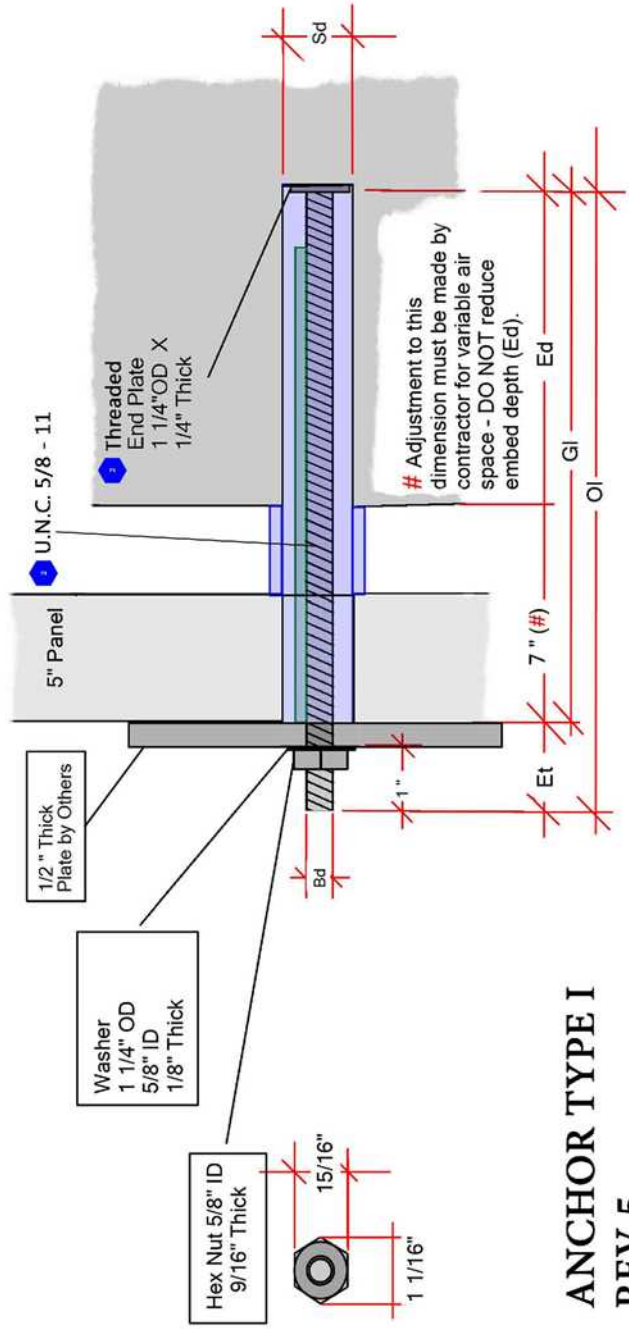


Engineered Grout Injection Anchors by:
Cintec Reinforcement Systems
Tel: 1-410-761-0765
1-613-225-3381
Fax: 1-613-224-9042
E-mail: solutions@cintec.com

Drawing Title:
401 Bay



NOTICE: THIS DRAWING (INCLUDING THE DESIGN AND THE TECHNICAL INFORMATION SHOWN HEREON) BELONGS TO AND IS THE COPYRIGHT OF CINTEC REINFORCEMENT SYSTEMS ("Cintec") AND ACCORDINGLY THE PERSON, FIRM, COMPANY OR ORGANIZATION TO WHOM THIS DRAWING HAS BEEN PROVIDED MAY NOT COPY, RE-PRODUCE OR MAKE ANY USE OF THE DRAWING (INCLUDING THE DESIGN OR ANY OF THE TECHNICAL INFORMATION SHOWN HEREON) OR SHOW OR OTHERWISE PROVIDE THE DRAWING (OR THE SAID DESIGN OR ANY OF THE TECHNICAL INFORMATION) TO ANY THIRD PARTY WITHOUT CINTEC'S SPECIFIC PERMISSION.



**ANCHOR TYPE I
REV 5**

ANCHOR TYPE	REVISION	BODY ϕ Bd	OVERALL LENGTH OI	SOCKET LENGTH GI	FACTORED FORCES	EXPOSED THREAD Et	EMBED DEPTH Et	SOCK ϕ Sd	CORE HOLE ϕ	HARDWARE
TYPE I	5	5/8 inch	16 1/2 inch	15 inch	A _r = +13.5 kN	1 1/2 inch	8 inch	2 inch	1 1/2 inch	1 Nut, 1 Washer

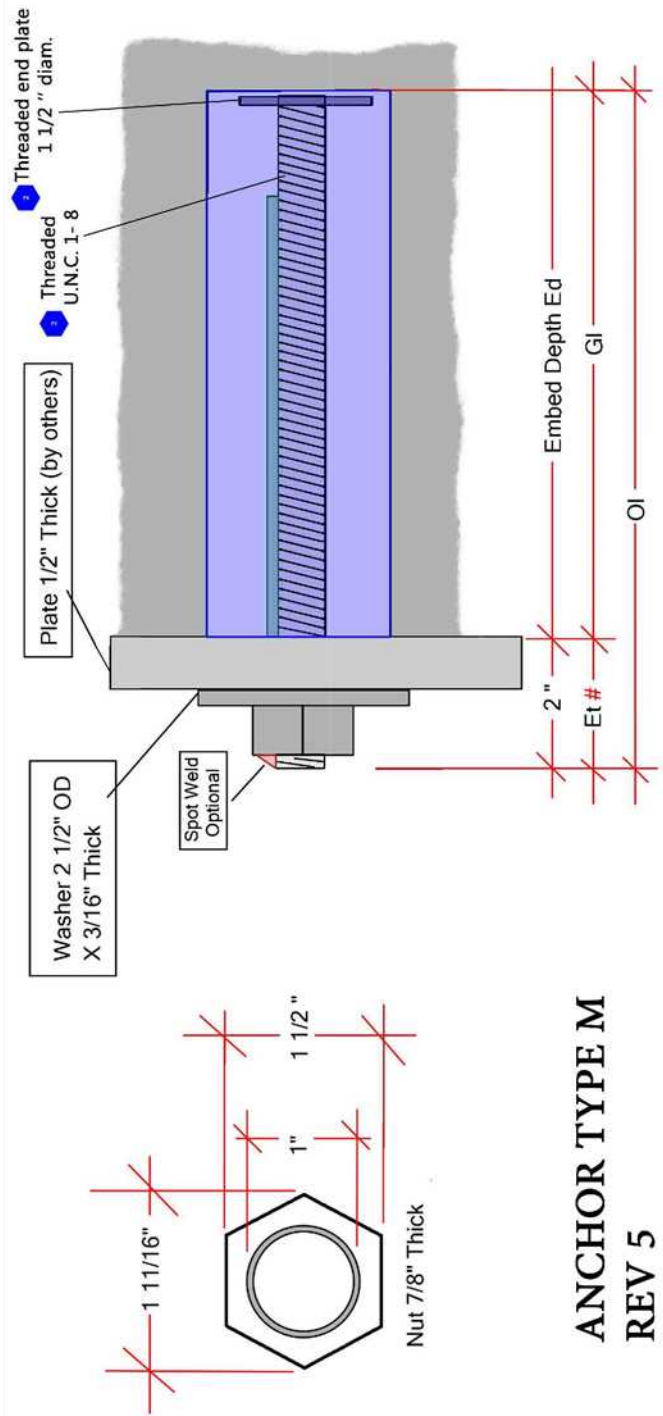


Engineered Grout Injection Anchors by:
Cintec Reinforcement Systems
 Tel: 1-410-761-0765
 1-613-225-3381
 Fax: 1-613-224-9042
 E-mail: solutions@cintec.com

Drawing Title:
401 Bay



NOTICE: THIS DRAWING (INCLUDING THE DESIGN AND THE TECHNICAL INFORMATION SHOWN HEREON) BELONGS TO AND IS THE COPYRIGHT OF CINTEC REINFORCEMENT SYSTEMS ("Cintec") AND ACCORDINGLY THE PERSON, FIRM, COMPANY OR ORGANIZATION TO WHOM THIS DRAWING HAS BEEN PROVIDED MAY NOT COPY, RE-PRODUCE OR MAKE ANY USE OF THE DRAWING (INCLUDING THE DESIGN HEREON) OR SHOW OR OTHERWISE PROVIDE THE DRAWING OR THE SAID DESIGN OR ANY OF THE TECHNICAL INFORMATION TO ANY THIRD PARTY WITHOUT CINTEC'S SPECIFIC PERMISSION.



ANCHOR TYPE M
REV 5

ANCHOR TYPE	REVISION	BODY ϕ Bd	OVERALL LENGTH O1	SOCKETED LENGTH G1	EXPOSED THREAD Et	FACTORED FORCES	EMBED DEPTH Ed	SOCK ϕ Sd	CORE HOLE ϕ	HARDWARE
Stainless Steel Grade 304	5	1 inch	12 inch	10 inch	2 inch	$V_F = 15 \text{ kN}$ $A_F = + 5 \text{ kN}$	10 inch	2 inch	1 3/4 inch	1 Nut, 1 Washer

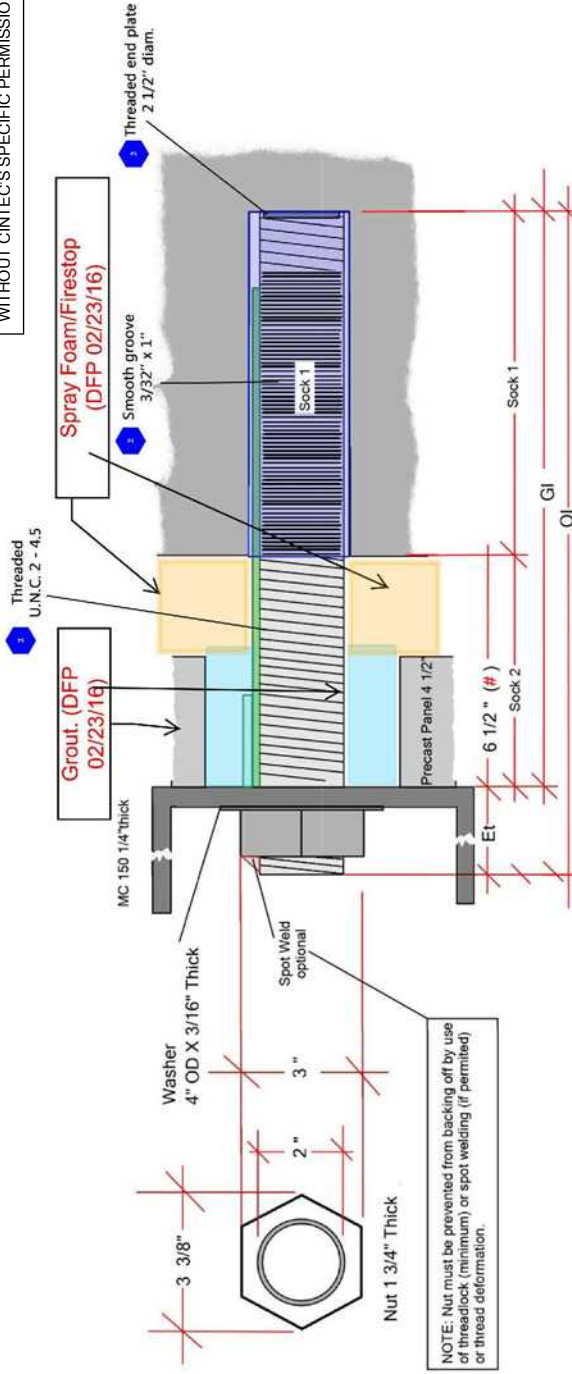


Engineered Grout Injection Anchors by:
Cintec Reinforcement Systems
Tel: 1-410-761-0765
1-613-225-3381
Fax: 1-613-224-9042
E-mail: solutions@cintec.com

Drawing Title:
401 Bay



NOTICE: THIS DRAWING (INCLUDING THE DESIGN AND THE TECHNICAL INFORMATION SHOWN HEREON) BELONGS TO AND IS THE COPYRIGHT OF CINTEC REINFORCEMENT SYSTEMS ("Cintec") AND ACCORDINGLY THE PERSON, FIRM, COMPANY OR ORGANIZATION TO WHOM THIS DRAWING HAS BEEN PROVIDED MAY NOT COPY, RE-PRODUCE OR MAKE ANY USE OF THE DRAWING (INCLUDING THE DESIGN OR ANY OF THE TECHNICAL INFORMATION SHOWN HEREON) OR SHOW OR OTHERWISE PROVIDE THE DRAWING (OR THE SAID DESIGN OR ANY OF THE TECHNICAL INFORMATION) TO ANY THIRD PARTY WITHOUT CINTEC'S SPECIFIC PERMISSION.



NOTE: Nut must be prevented from backing off by use of threadlock (minimum) or spot welding (if permitted) or thread deformation.

ANCHOR TYPE N (Option 1) REV 5

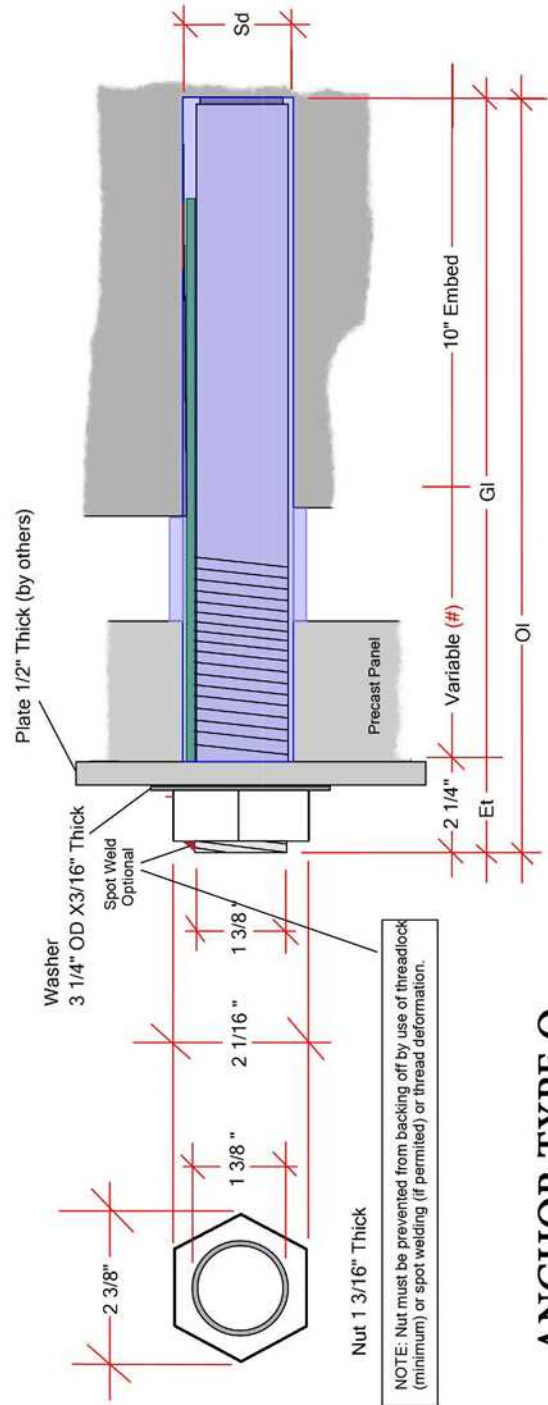
ANCHOR TYPE	REVISION	BODY Ø Bd	OVERALL LENGTH Ol	SOCKED LENGTH G1	FACTORED FORCES	EXPOSED THREAD Et	SOCK DIMENSION Sd	CORE HOLE Ø	HARDWARE
Stainless Steel 17-4 PH min Fy 785 MPa	5	2 inch	21 inch	12 inch	Vfv = 30kN	2 1/2 inch	Sock 1 Sock 2 3 inch Ø X 12 inch Long	2 3/4 inch	1 Nut, 1 Washer



Engineered Grout Injection Anchors by:
Cintec Reinforcement Systems
 Tel: 1-410-761-0765
 1-613-225-3381
 Fax: 1-613-224-9042
 E-mail: solutions@cintec.com

Drawing Title:
401 Bay

NOTICE: THIS DRAWING (INCLUDING THE DESIGN AND THE TECHNICAL INFORMATION SHOWN HEREON) BELONGS TO AND IS THE COPYRIGHT OF CİNTEC REINFORCEMENT SYSTEMS ("Cintec") AND ACCORDINGLY THE PERSON, FIRM, COMPANY OR ORGANIZATION TO WHOM THIS DRAWING HAS BEEN PROVIDED MAY NOT COPY, RE-PRODUCE OR MAKE ANY USE OF THE DRAWING (INCLUDING THE DESIGN OR ANY OF THE TECHNICAL INFORMATION SHOWN HEREON) OR SHOW OR OTHERWISE PROVIDE THE DRAWING (OR THE SAID DESIGN OR ANY OF THE TECHNICAL INFORMATION) TO ANY THIRD PARTY WITHOUT CİNTEC'S SPECIFIC PERMISSION.



NOTE: Nut must be prevented from backing off by use of threadlock (minimum) or spot welding (if permitted) or thread deformation.

ANCHOR TYPE O
REV 5

ANCHOR TYPE	REVISION	BODY ϕ Bd	OVERALL LENGTH OI	FACTORED FORCES	SOCKED LENGTH GI	EXPOSED THREAD Et	SOCK ϕ Sd	CORE HOLE ϕ	HARDWARE
Stainless Steel Grade 2304 min Fy 520MPa	5	1 3/8 inch	18 1/2 inch	VV = 10 kN AF = + 18 kN	16 1/4 inch	2 1/4 inch	2 inch	2 inch	1 Nut, 1 Washer



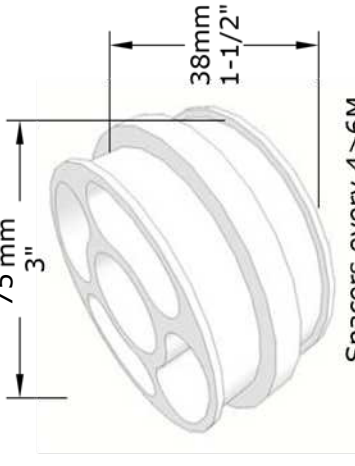
Engineered Grout Injection Anchors by:
Cintec Reinforcement Systems
Tel: 1-410-761-0765
1-613-225-3381
Fax: 1-613-224-9042
E-mail: solutions@cintec.com

Drawing Title:
401 Bay

Cintec No 10 Rebar 2304/2205 (1 1/4) Reinforcement

Location to be determined by the Engineer of Record

NOTICE: THIS DRAWING (INCLUDING THE DESIGN AND THE TECHNICAL INFORMATION SHOWN HEREON) BELONGS TO AND IS THE COPYRIGHT OF CİNTEC REINFORCEMENT SYSTEMS ("Cintec") AND ACCORDINGLY THE PERSON, FIRM, COMPANY OR ORGANIZATION TO WHOM THIS DRAWING HAS BEEN PROVIDED MAY NOT COPY, RE-PRODUCE OR MAKE ANY USE OF THE DRAWING (INCLUDING THE DESIGN OR ANY OF THE TECHNICAL INFORMATION SHOWN HEREON) OR SHOW OR OTHERWISE PROVIDE THE DRAWING (OR THE SAID DESIGN OR ANY OF THE TECHNICAL INFORMATION) TO ANY THIRD PARTY WITHOUT CİNTEC'S SPECIFIC PERMISSION.



Spacers every 4>6M
Subject to site conditions

Endplate Reinforcement Body No 10 Rebar (1 1/4) 2304/2205

• Sock DIA 100mm (4")
Full Length of Reinforcement

• Spacers every 4>6M Subject to site conditions

• Injection Tubes

• Coupler
(As Req'd)

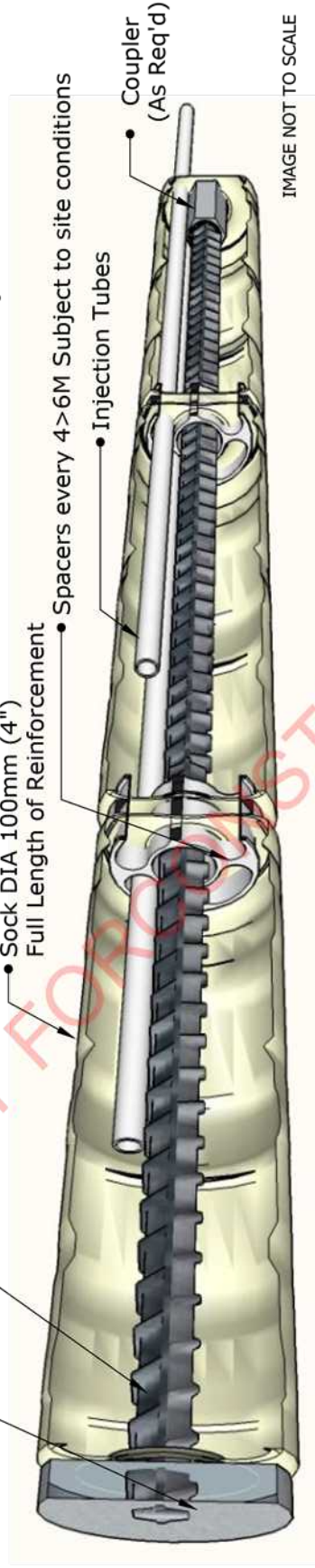


IMAGE NOT TO SCALE

REINFORCEMENT LENGTH TO SUIT SITE CONDITIONS
Client To Confirm ALL Measurements Before Ordering By Site Inspection



Engineered Grout Injection Anchors by:
Cintec Reinforcement Systems
Tel: 1-410-761-0765
1-613-225-3381
Fax: 1-613-224-9042
E-mail: solutions@cintec.com

Drawing Title:
CİNTEC ANCHOR